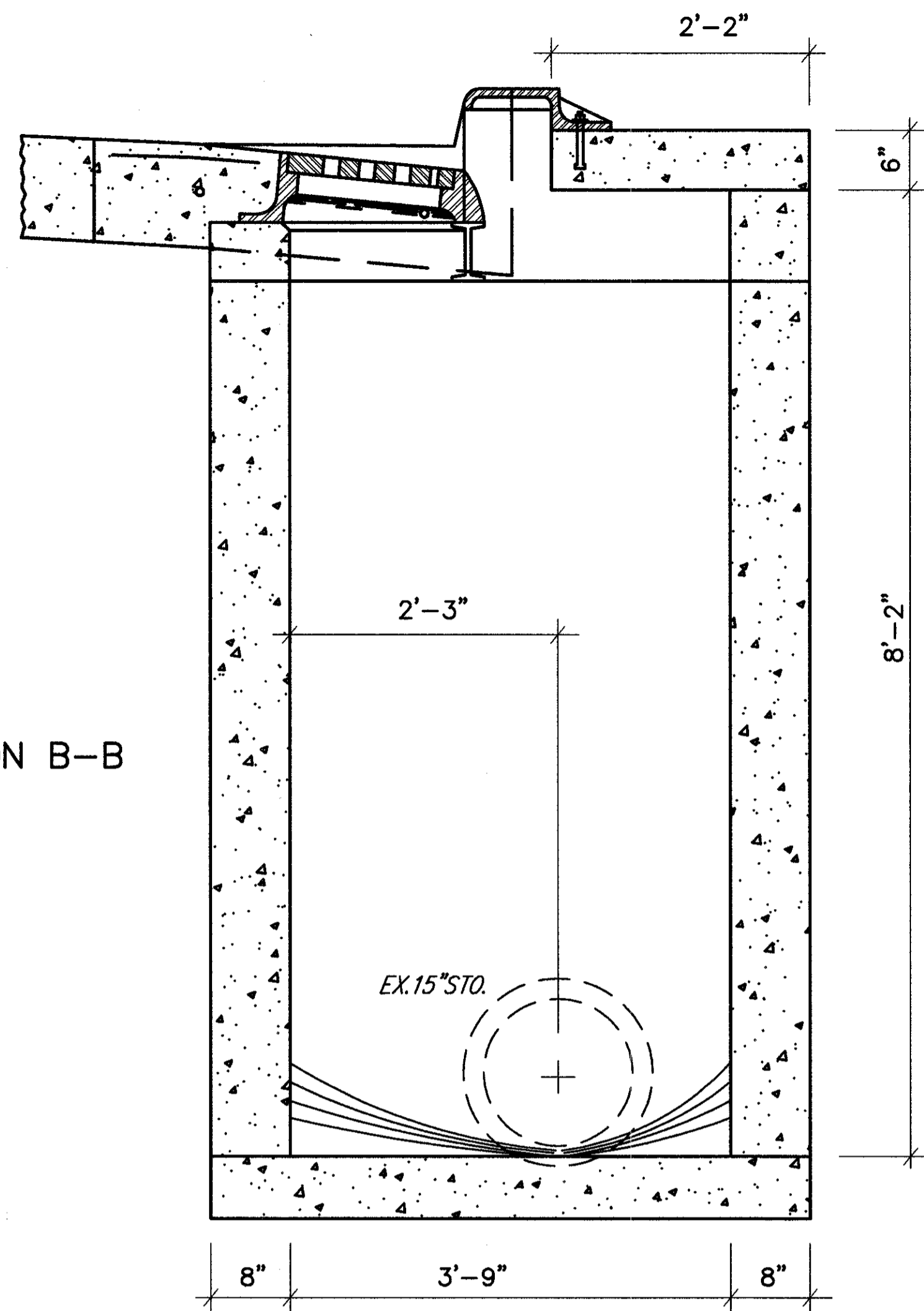
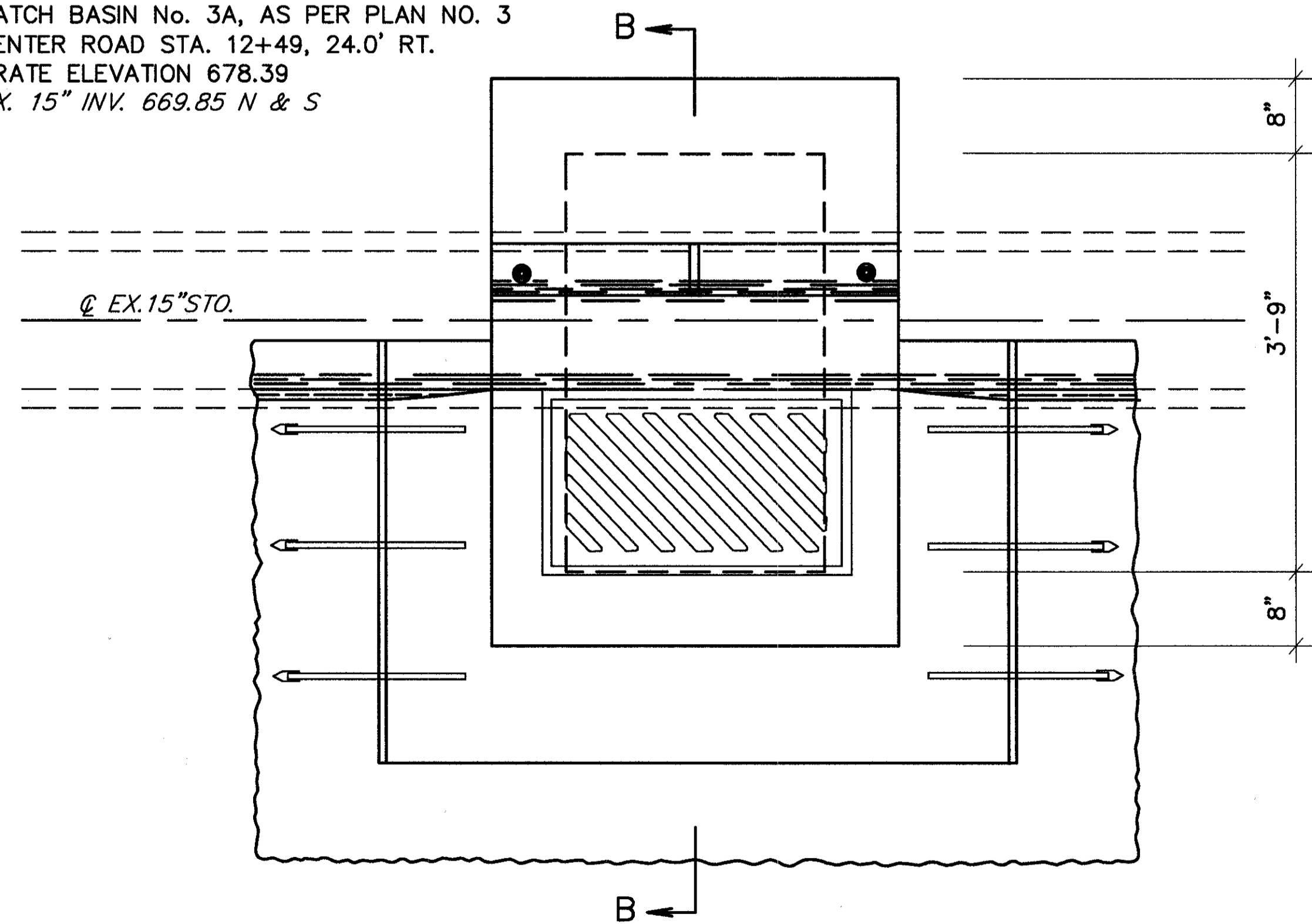


SECTION B-B



SEE STANDARD DRAWING CB-2.2
FOR STANDARD CB-3A DETAIL.

CATCH BASIN No. 3A, AS PER PLAN NO. 3
CENTER ROAD STA. 12+49, 24.0' RT.
GRATE ELEVATION 678.39
EX. 15" INV. 669.85 N & S

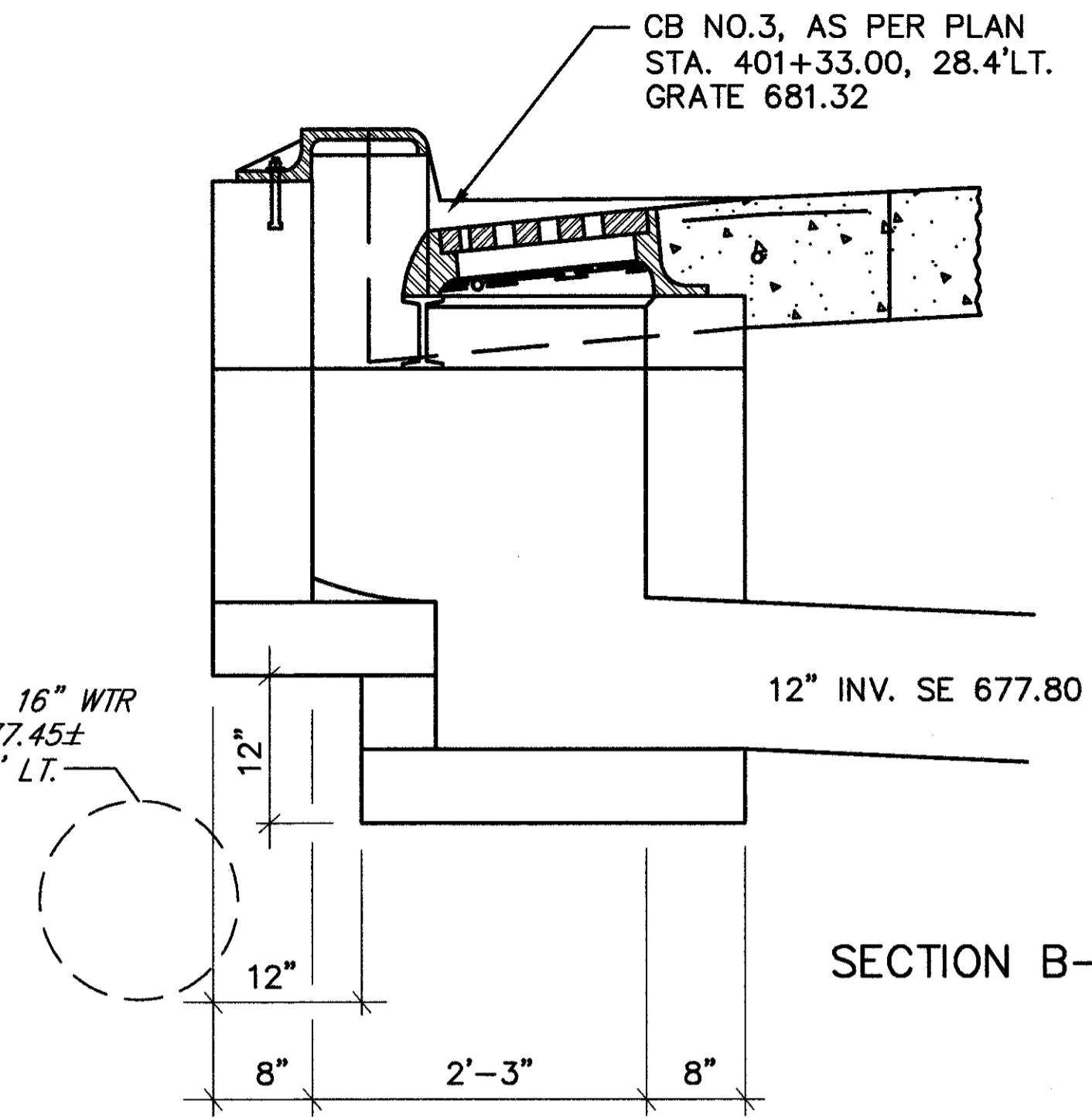


CB NO.3, AS PER PLAN
STA. 401+33.00, 28.4'LT.
GRATE 681.32

TOP EX. 16" WTR
EL. 677.45±
30.4' LT.

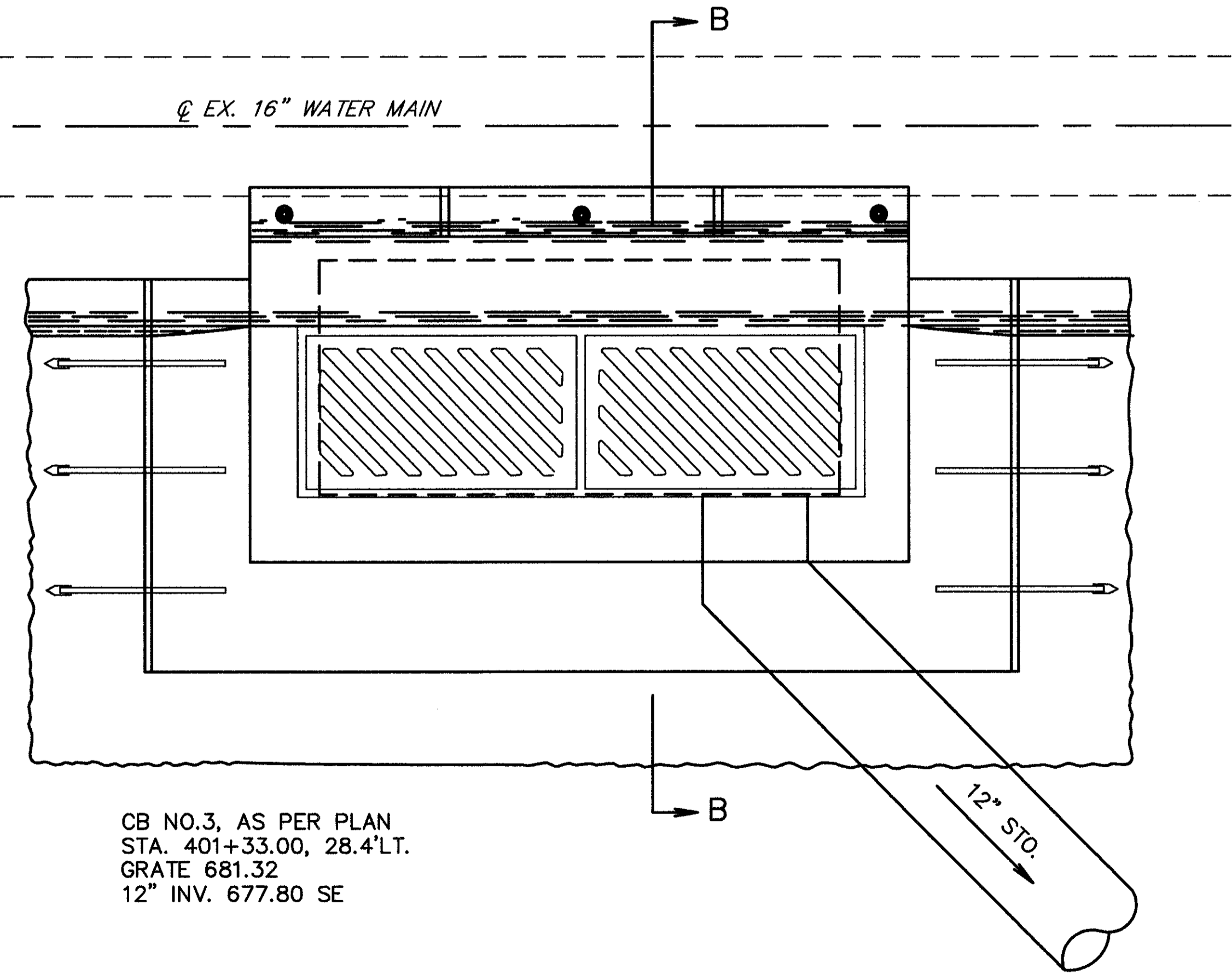
12" INV. SE 677.80

SECTION B-B

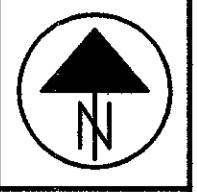


SEE STANDARD DRAWING CB-2.1
FOR STANDARD CB-3 DETAIL.

EX. 16" WATER MAIN



CB NO.3, AS PER PLAN
STA. 401+33.00, 28.4'LT.
GRATE 681.32
12" INV. 677.80 SE



NOT TO SCALE

CALCULATED
CHECKED

DRAINAGE DETAILS

LAK - 20 - 18.40

266
441