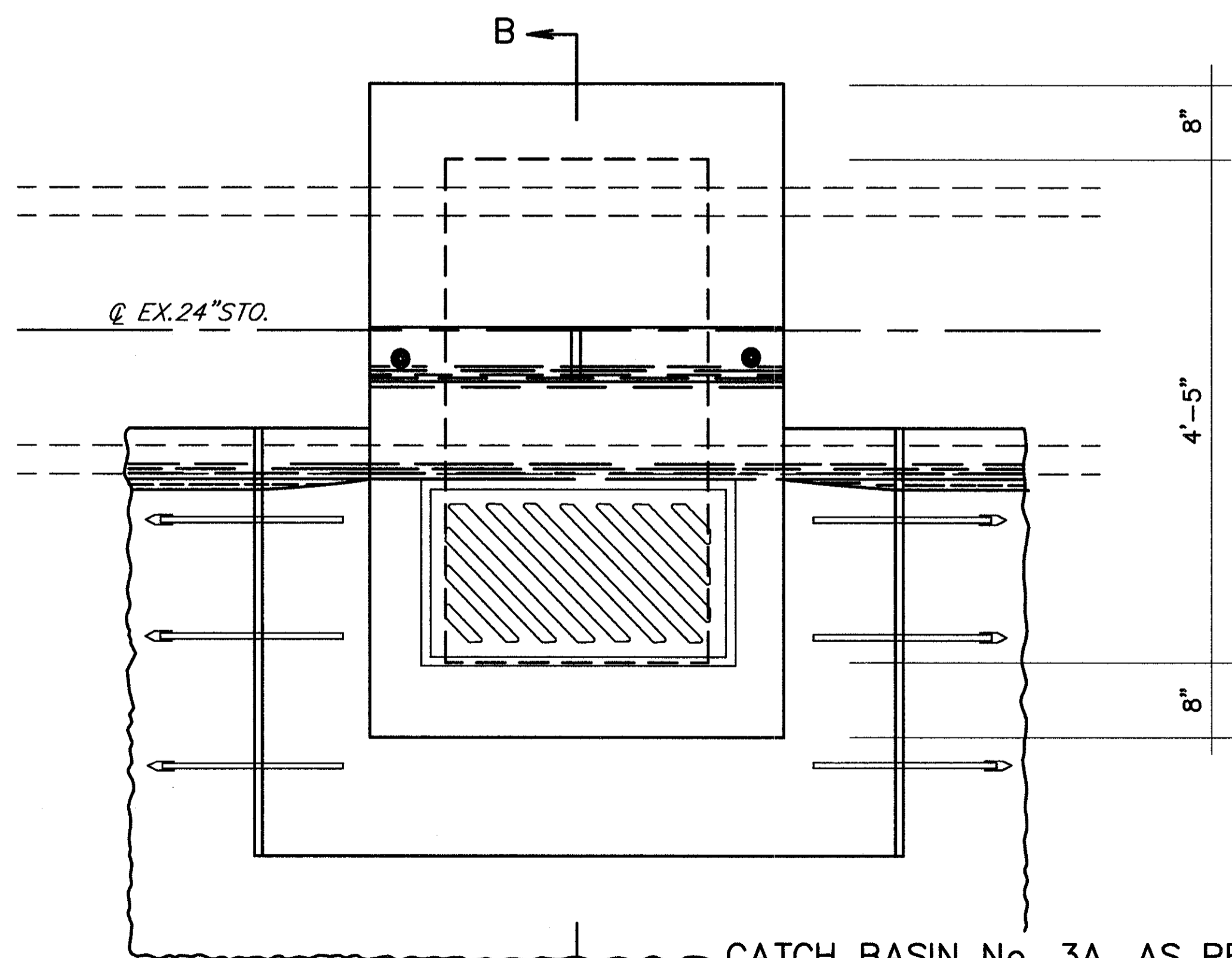
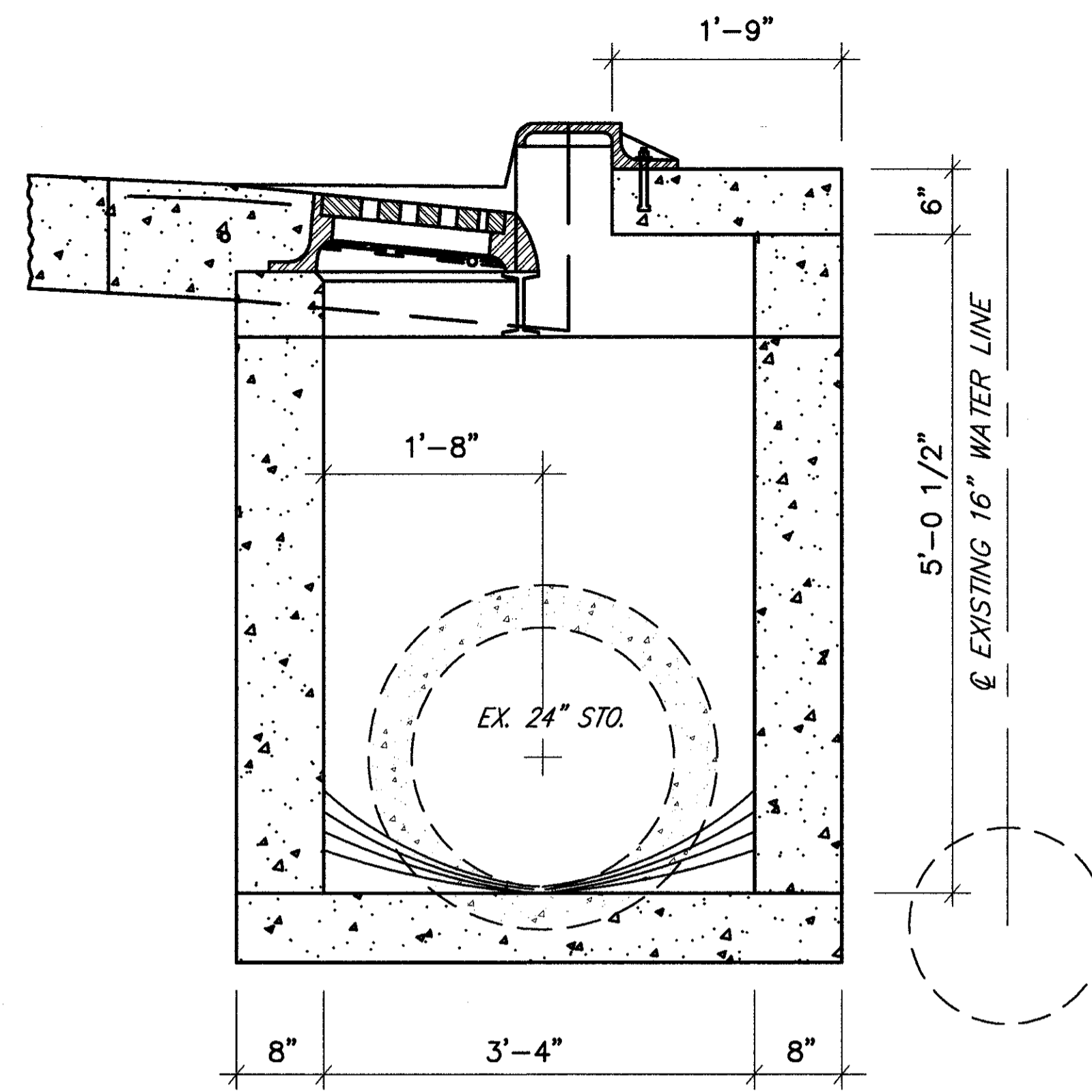


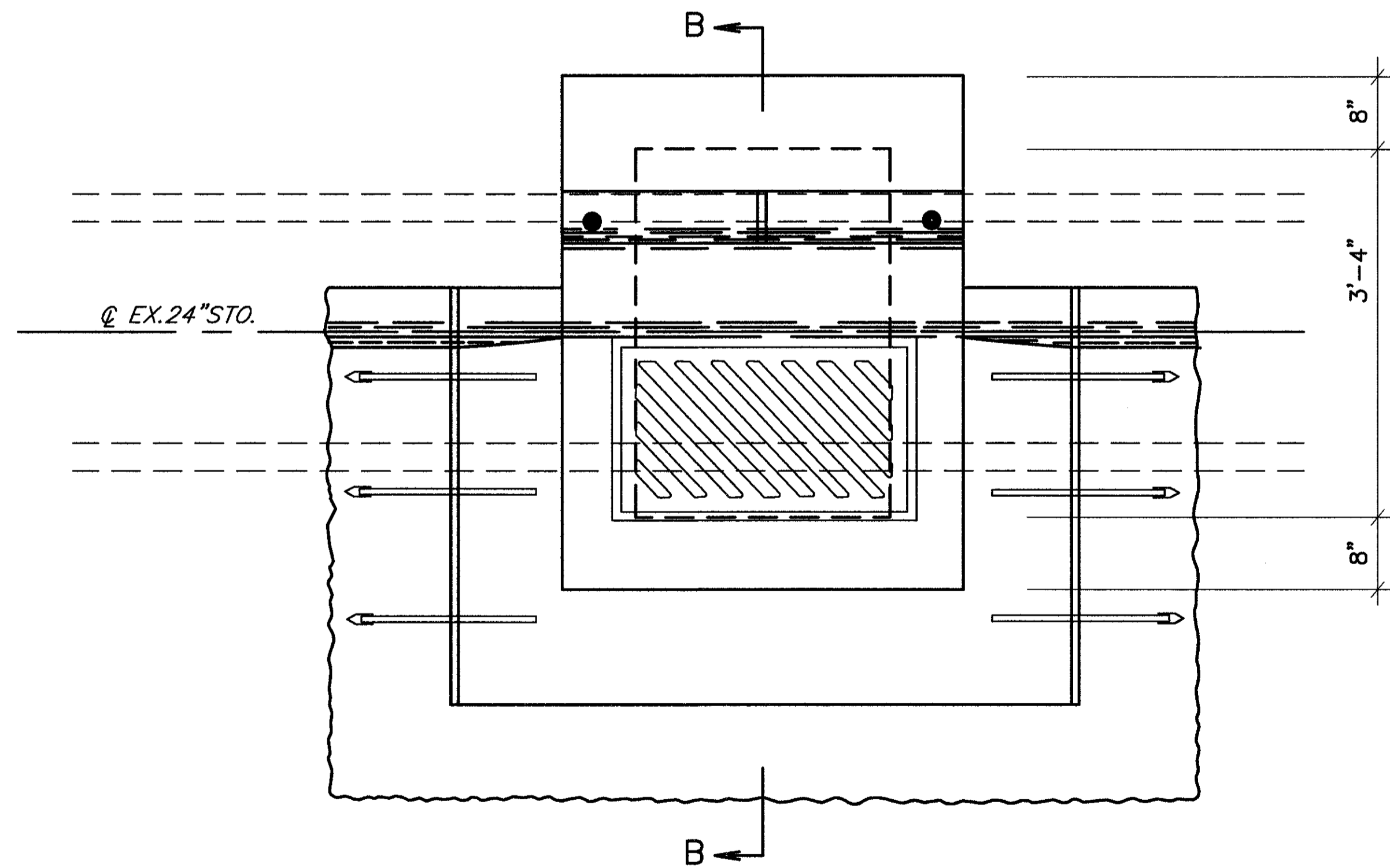
SECTION B-B



CATCH BASIN No. 3A, AS PER PLAN NO. 1
 STA. 399+43.00, 24.0' LT.
 GRATE ELEVATION 682.60
 EX. 24" INV. 676.24 NE & SW

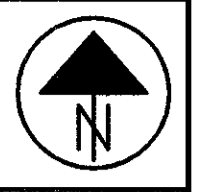


SECTION B-B



CATCH BASIN No. 3A, AS PER PLAN NO. 2
 STA. 400+35.00, 26.0' LT.
 GRATE ELEVATION 681.76
 EX. 24" INV. 676.36 NE & SW

SEE STANDARD DRAWING CB-2.2 FOR
 STANDARD CB-3A DETAIL.



NOT TO SCALE

CALCULATED
 CHECKED

DRAINAGE DETAILS

LAK - 20 - 18.40

265
 441