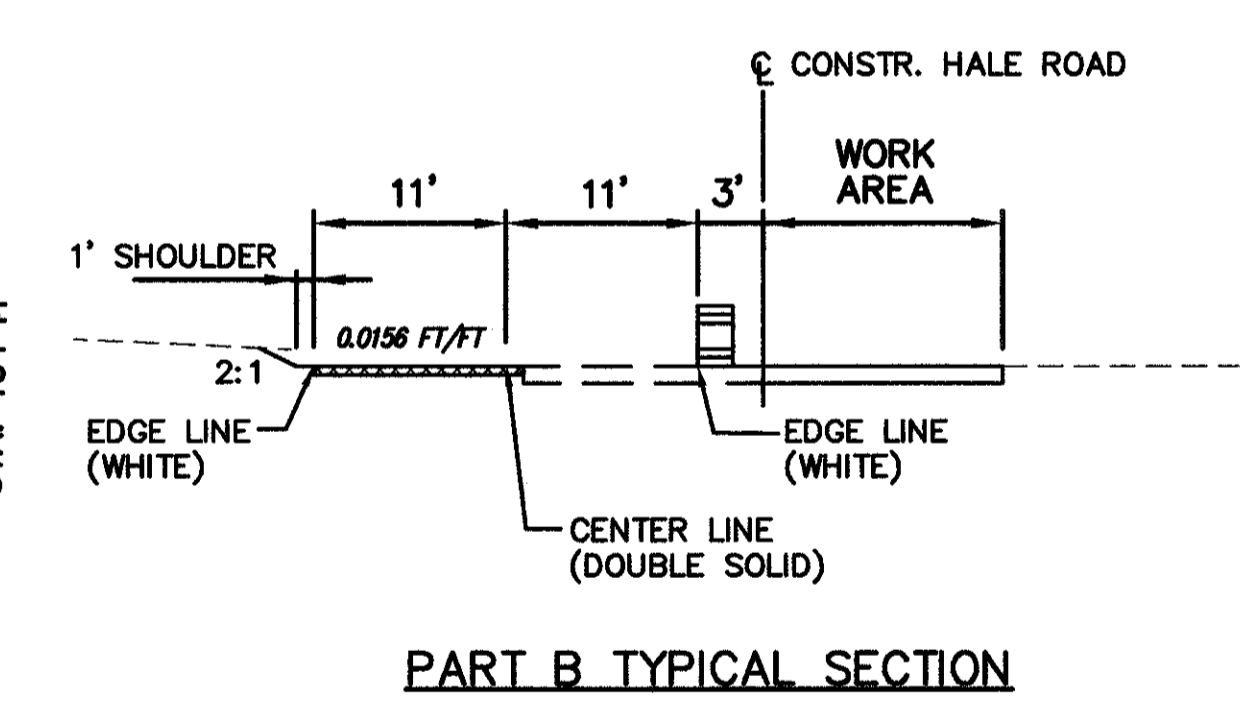


- (PART A)
- ① TEMPORARY EDGE LINES
 - ② TEMPORARY CENTER LINE
 - ③ TEMPORARY STOP BAR



- (PART B)
- LEGEND
- TRAFFIC FLOW
 - ○ ○ ○ DRUMS @ 10' C/C
 - ▨ PERMANENT PAVEMENT CONSTRUCTED THIS PHASE
 - ▩ TEMPORARY PAVEMENT, CLASS B