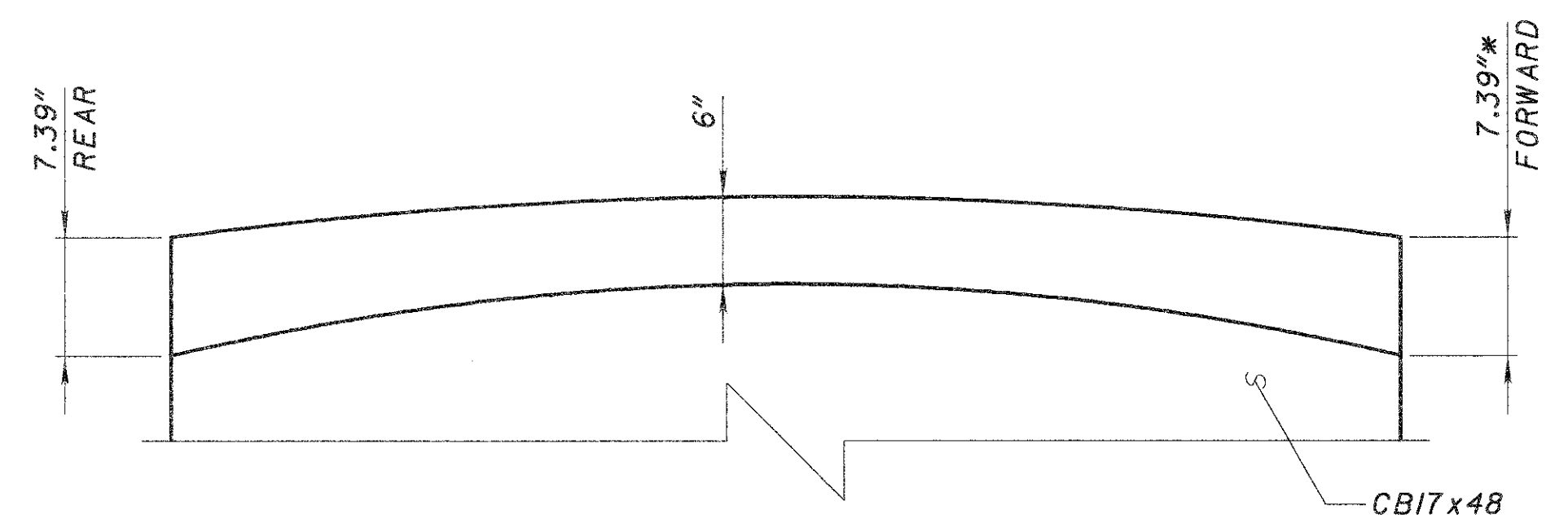


DECK PLAN

DECK SCREED ELEVATION TABLE					
	LOCATION ALONG BRIDGE				
	① \varnothing BEARINGS R.A.	② 1/4 PT.	③ MIDSPAN	④ 3/4 PT.	⑤ \varnothing BEARINGS F.A.
LEFT FACE OF PARAPET	667.56	667.62	667.60	667.49	667.32
LEFT FACE OF CURB	666.77	666.83	666.81	666.70	666.53
PROFILE GRADE	667.19	667.25	667.22	667.12	666.94
RIGHT FACE OF CURB	666.77	666.83	666.81	666.75	666.65
RIGHT FACE OF PARAPET	667.56	667.62	667.60	667.54	667.44



DECK THICKNESS DIAGRAM @ PROFILE GRADE

NOTES:

* DECK THICKNESS AT FORWARD ABUTMENT VARIES DUE TO SUPERELEVATION FROM 7.39" TO 8.83"

SCREED ELEVATIONS AT 1/2 AND 1/4 POINTS ACCOUNT FOR DEAD LOAD DEFLECTIONS NOT INCLUDING DEFLECTIONS CAUSED BY THE WEIGHT OF THE BEAM OR FUTURE WEARING SURFACE

\$ DATES
\$ FILE \$