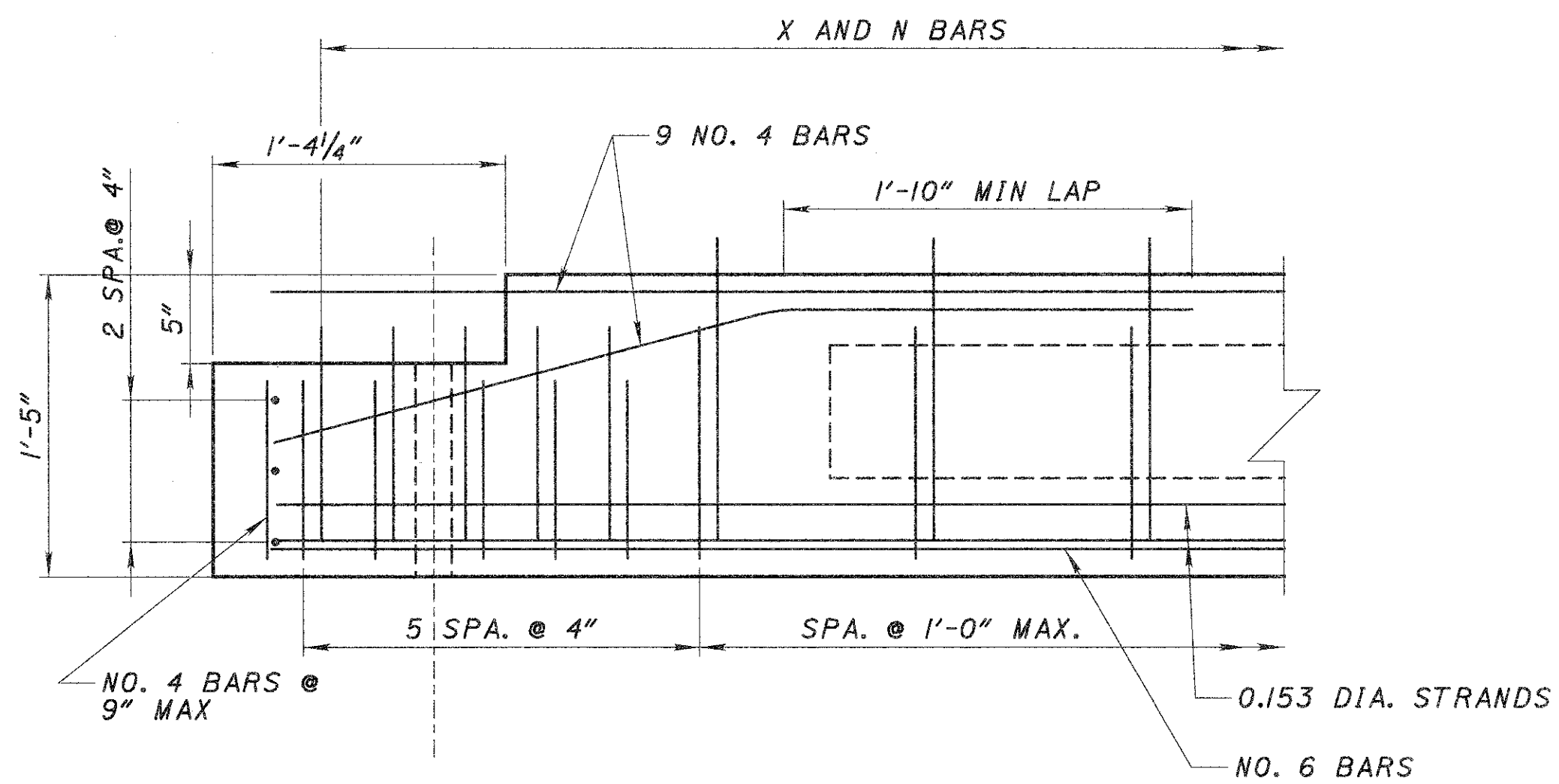
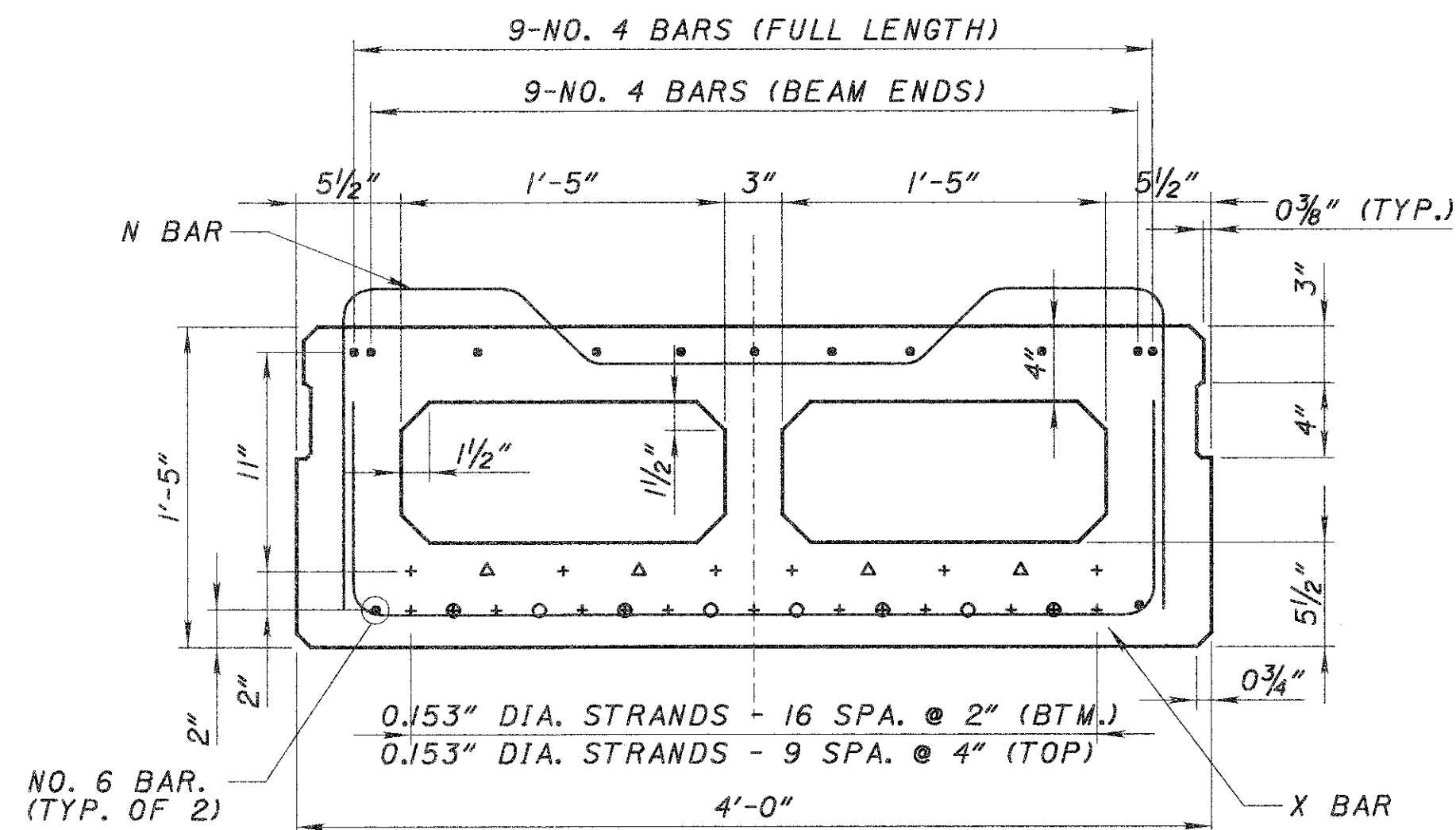


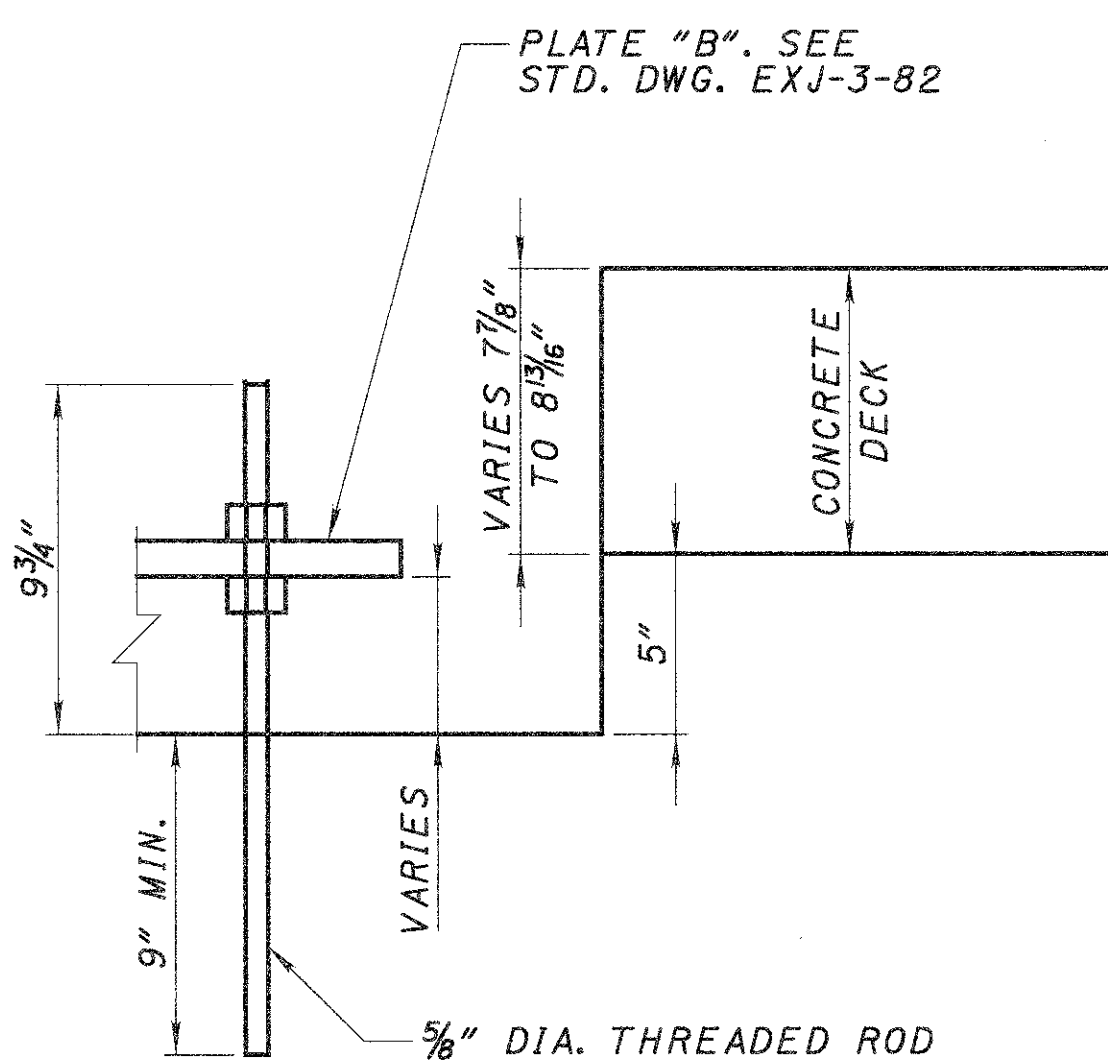
BOX BEAM ELEVATION



DETAIL - BOX BEAM



SECTION - BOX BEAM



THREADED ROD DETAIL

DEBONDED STRANDS	
SYMBOL	DEBONDED LENGTH
+	BONDED STRANDS
●	NORMAL REBAR
○	4'-6"
⊕	3'-6"
△	2'-6"

NOTE:

SEE STD. DWG. PSBD-1-93 FOR ADDITIONAL DETAILS

\$ DATES
\$ FILE