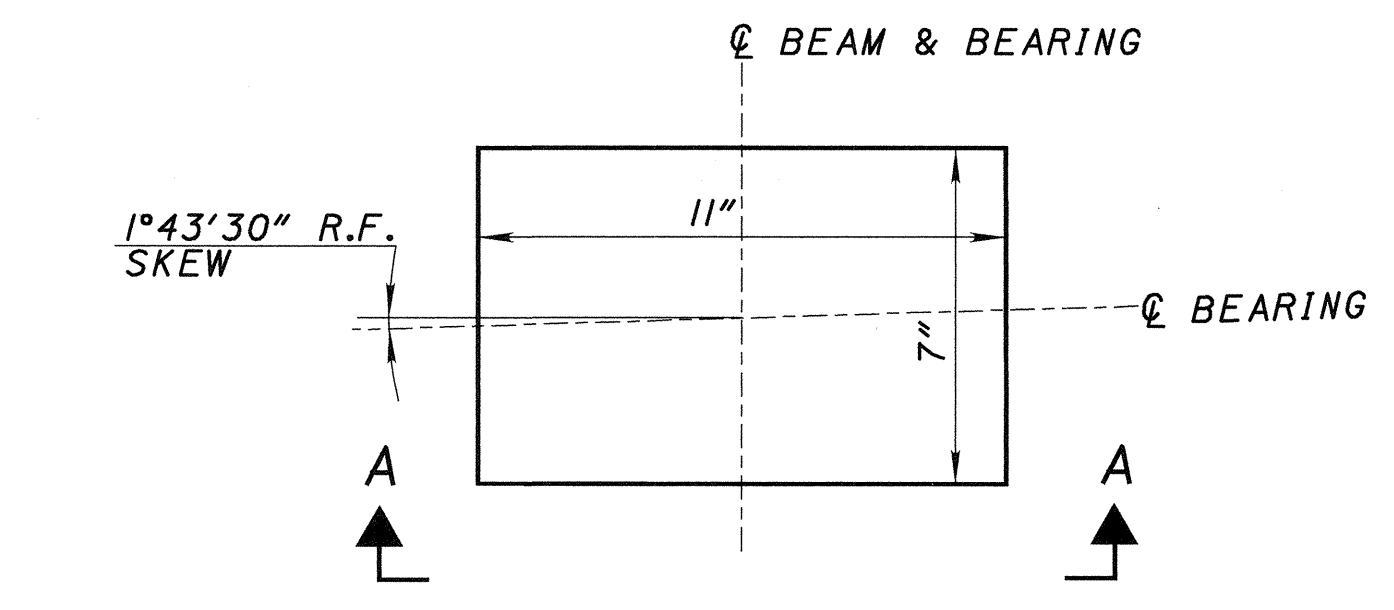
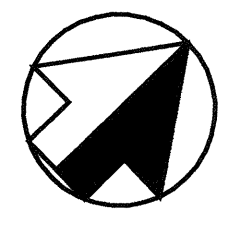
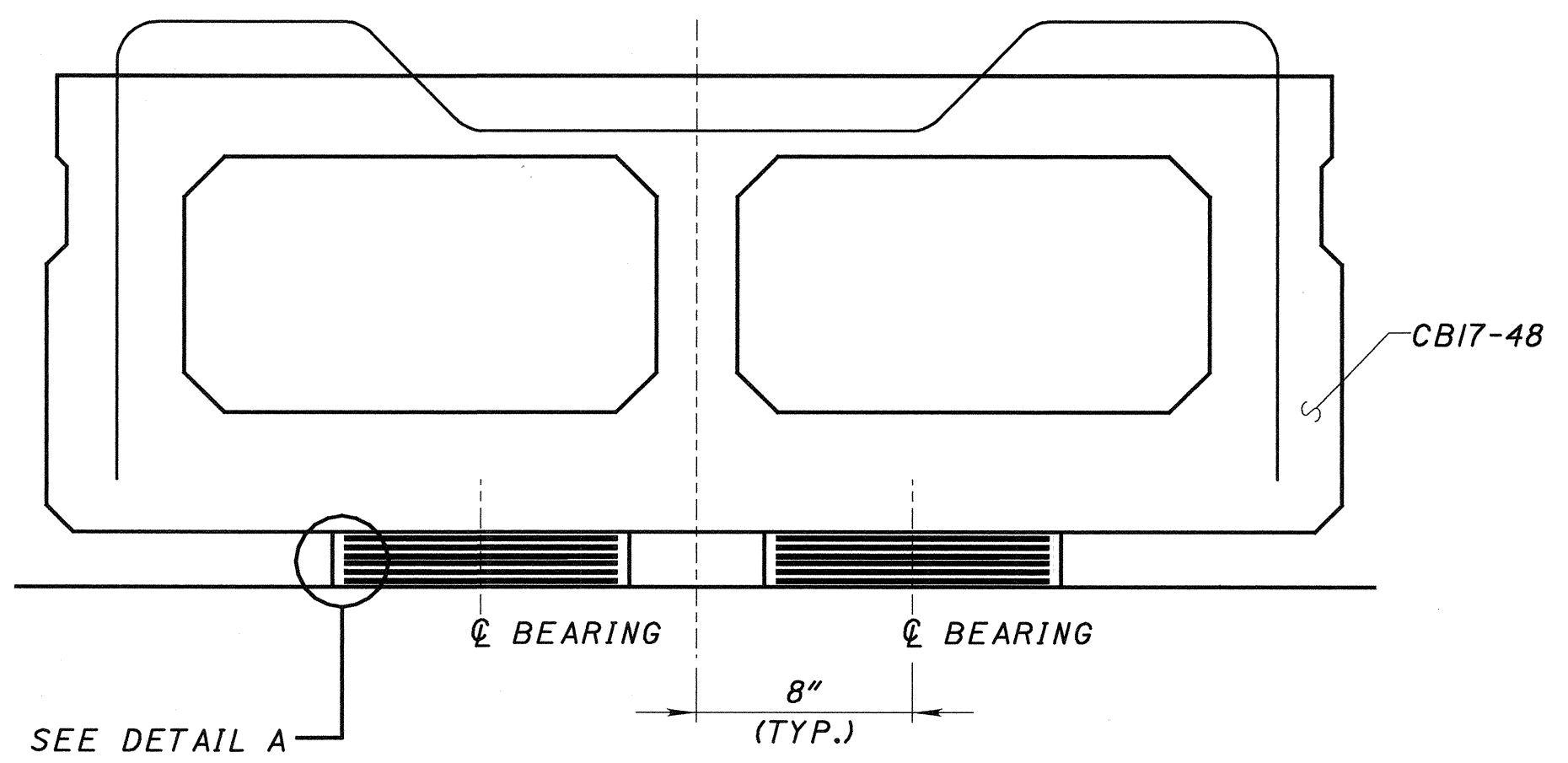


**BOX BEAM LAYOUT**

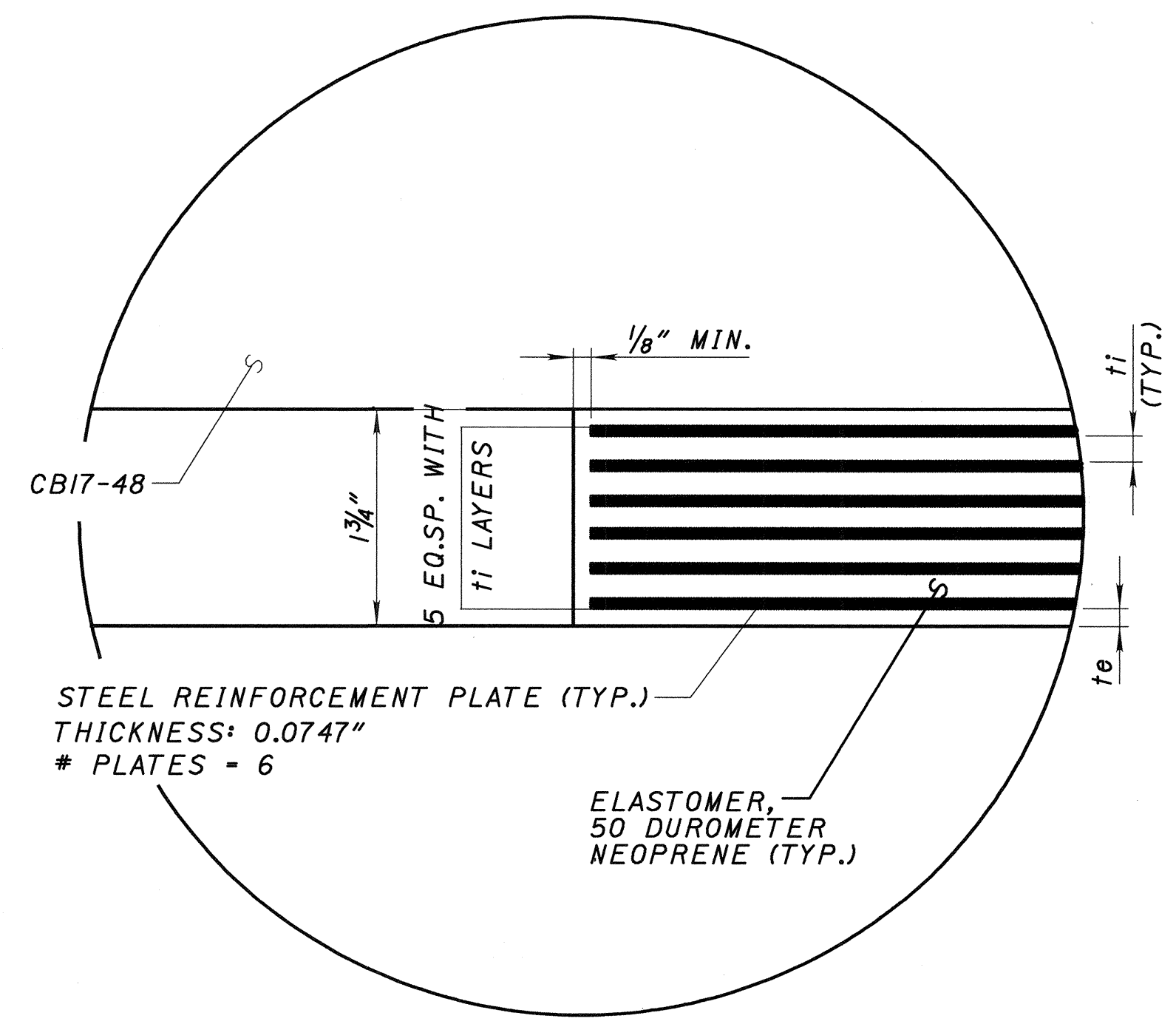


**BEARING PLAN**  
(FORWARD AND REAR)



**VIEW A-A**

| BEARING DATA |       |
|--------------|-------|
| $t_e$        | 0.15" |
| $t_i$        | 0.20" |
| DEAD LOAD    | 15 K  |
| LIVE LOAD    | 36 K  |



**DETAIL A**  
(NOT DRAWN TO SCALE)

**NOTES:**  
 SEE STANDARD DRAWING  
 PSBD-1-93 FOR DETAILS  
 NOT SHOWN.

\$DATE\$  
\$FILE\$