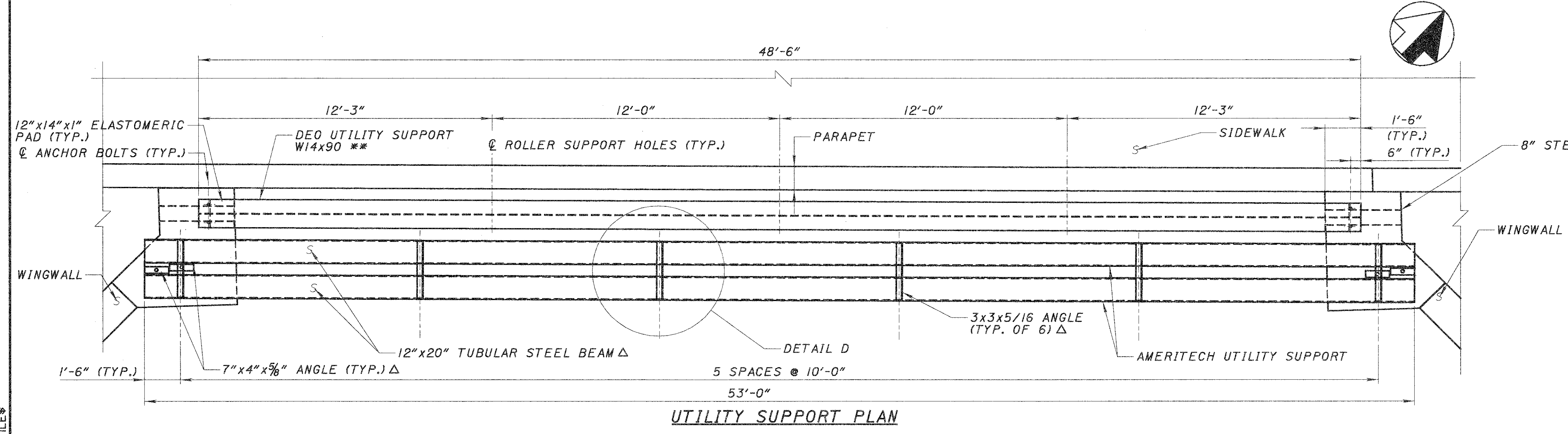
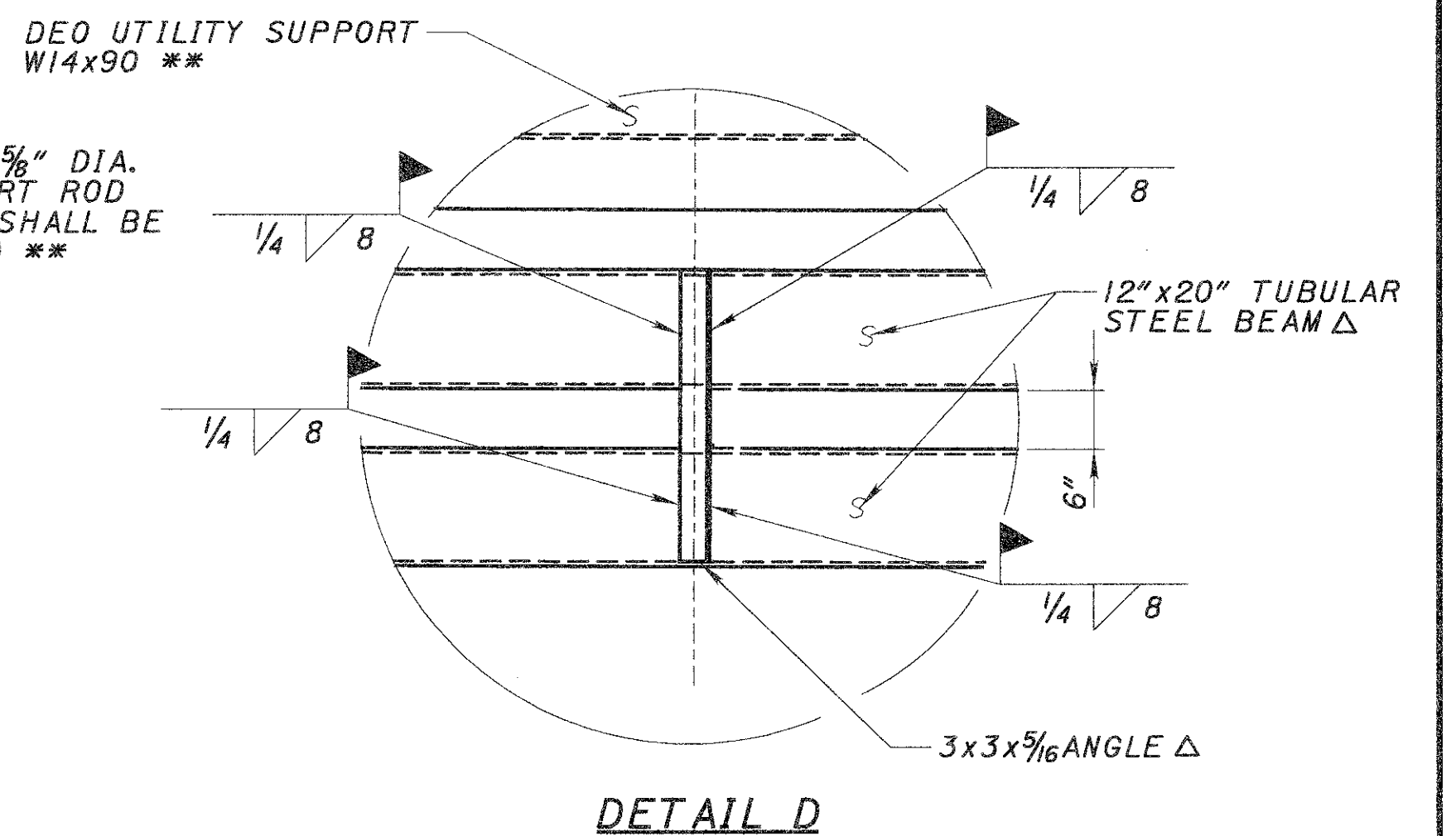
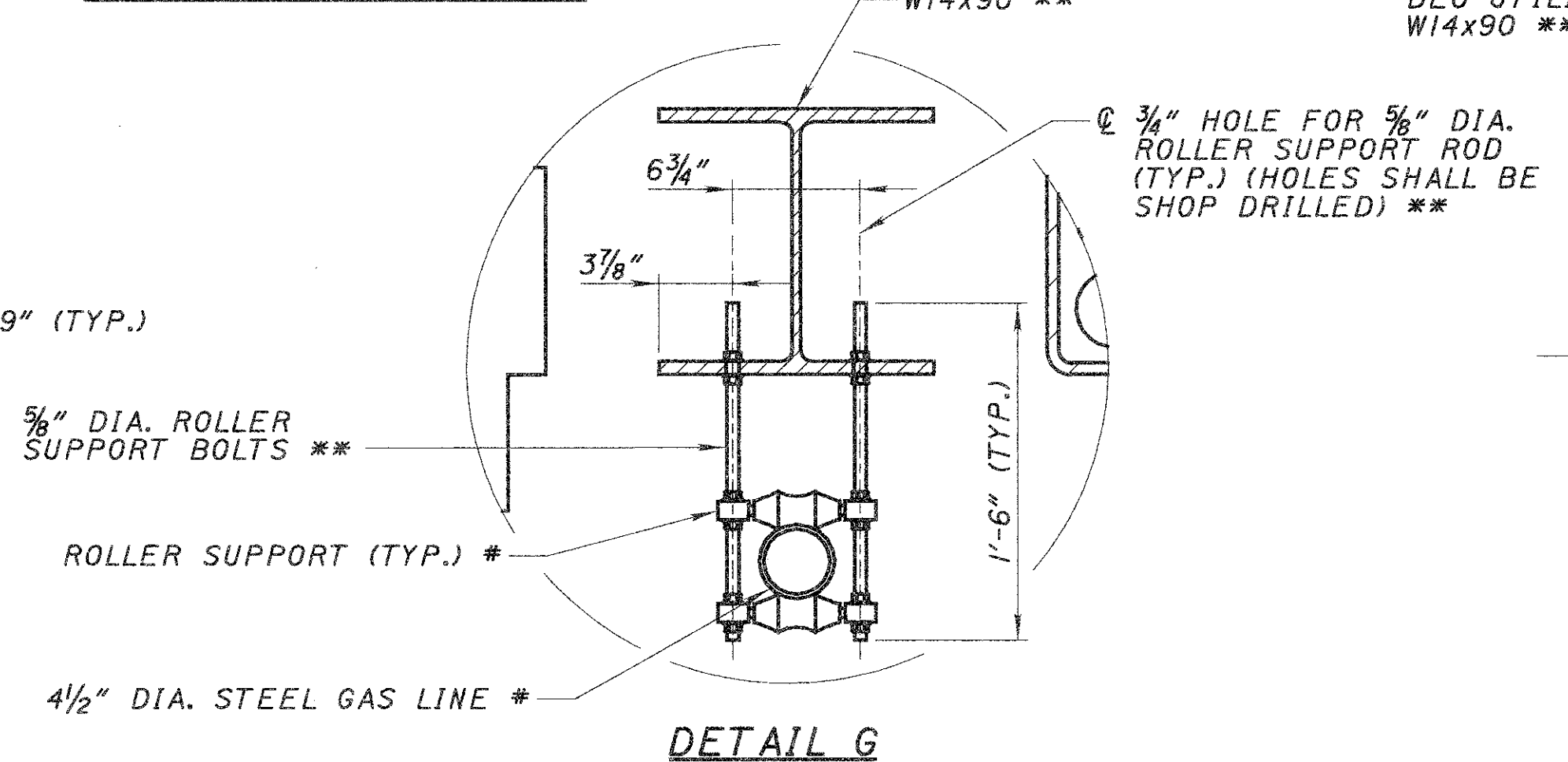


TRANSVERSE SECTION



NOTES:

* SEE SHEET 12/22 FOR AMERITECH UTILITY SUPPORT DETAILS.

** INCLUDE WITH ITEM 863 - STRUCTURAL STEEL (DEO UTILITY SUPPORT)

*** SEE SHEET 13/22 FOR DEO UTILITY SUPPORT DETAILS.

FOR PARAPET AND SIDEWALK DETAILS SEE SHEET 21/22.

* MATERIAL PROVIDED AND PAID FOR BY OTHERS

Δ INCLUDE WITH ITEM 863 - STRUCTURAL STEEL (AMERITECH UTILITY SUPPORT)

ΔΔ SEE SHEETS 34-39/72 FOR DETAILS.

DESIGN AGENCY: Baker
 2000 EAST NINTH STREET, SUITE 420
 CLEVELAND, OHIO 44115

DATE	8-29-02
REVIEWED	RBP
STRUCTURE FILE NUMBER	4302503
DRAWN	VLC
REVISED	
DESIGNED	RBP
CHECKED	SCT

TRANSVERSE SECTION
 BRIDGE NO. LAK-20-1807
 OVER NORFOLK SOUTHERN FAIRPORT LINE

LAK-20-18.07

16 / 22
 57
 72

DATE\$
FILE\$