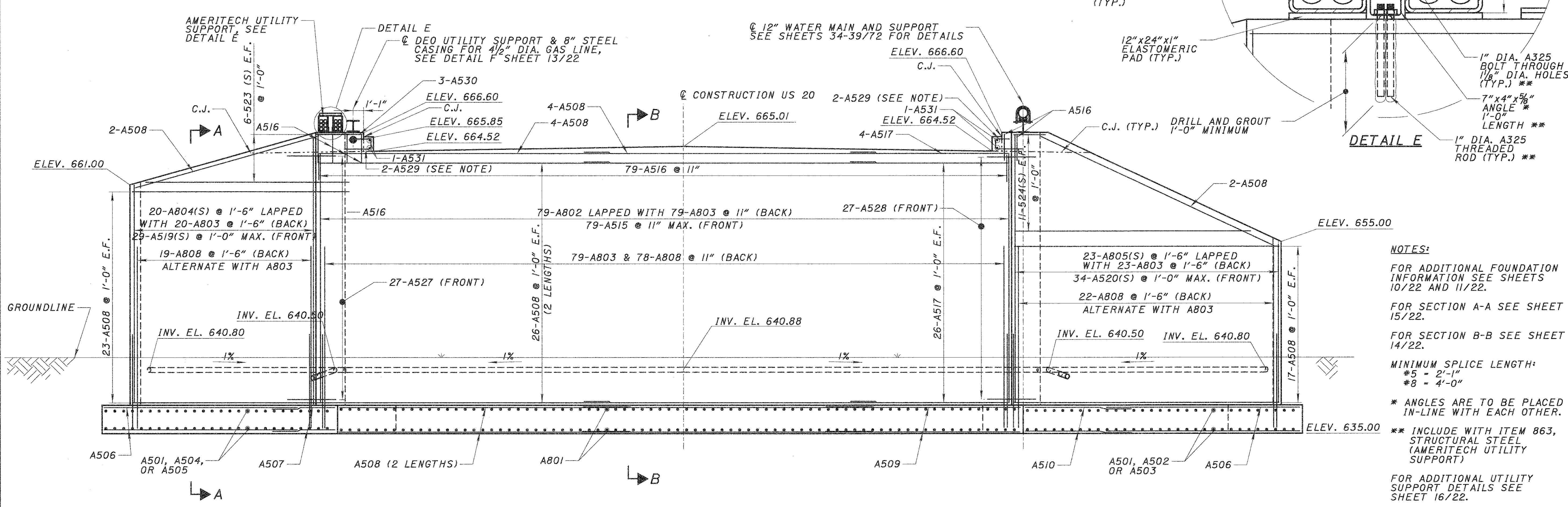
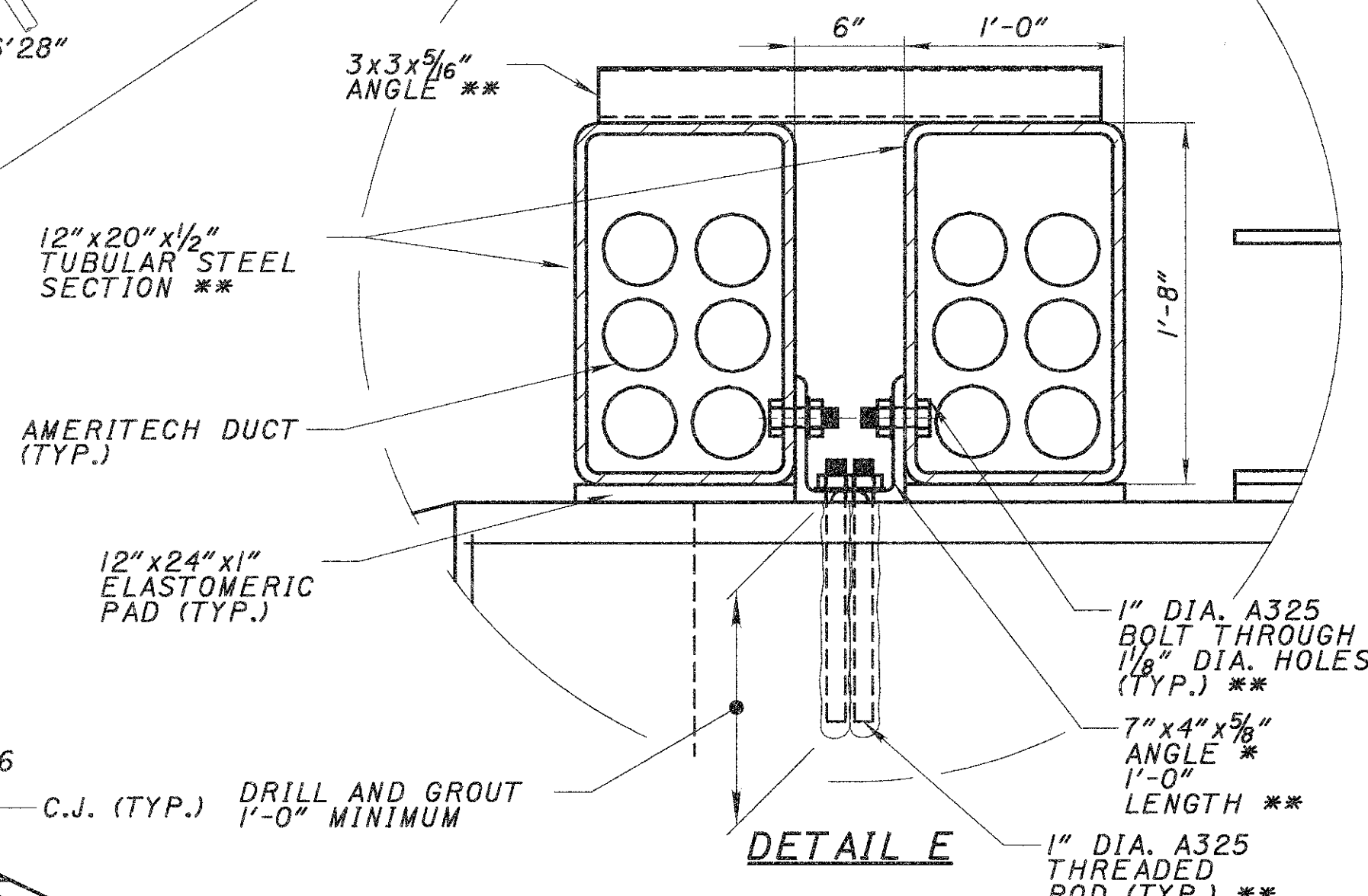


REAR ABUTMENT PLAN



REAR ABUTMENT ELEVATION
 PILES NOT SHOWN FOR CLARITY



DETAIL E

NOTES:
 FOR ADDITIONAL FOUNDATION INFORMATION SEE SHEETS 10/22 AND 11/22.
 FOR SECTION A-A SEE SHEET 15/22.
 FOR SECTION B-B SEE SHEET 14/22.
 MINIMUM SPLICE LENGTH:
 #5 - 2'-1"
 #8 - 4'-0"
 * ANGLES ARE TO BE PLACED IN-LINE WITH EACH OTHER.
 ** INCLUDE WITH ITEM 863, STRUCTURAL STEEL (AMERITECH UTILITY SUPPORT)
 FOR ADDITIONAL UTILITY SUPPORT DETAILS SEE SHEET 16/22.
 CARE SHOULD BE TAKEN TO PLACE BARS A529 AND A530 IN ORDER TO AVOID INTERFERENCE WITH PLACING BOX BEAMS.

DATE\$
 FILE\$