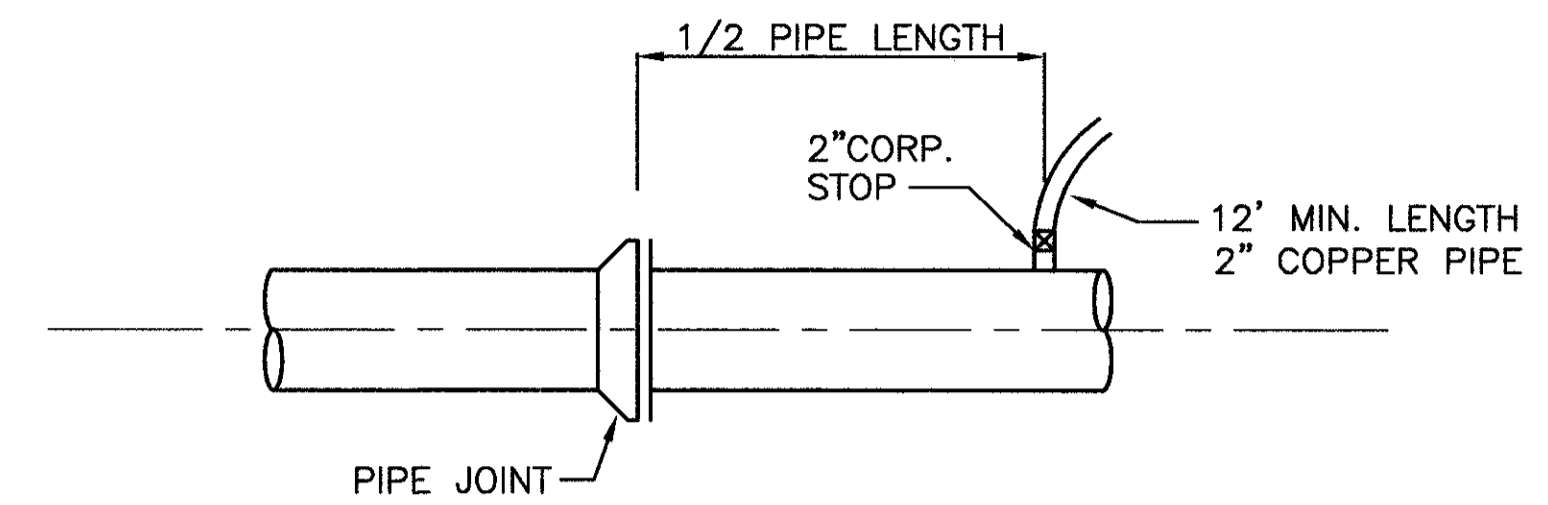


GENERAL BULKHEAD DETAIL

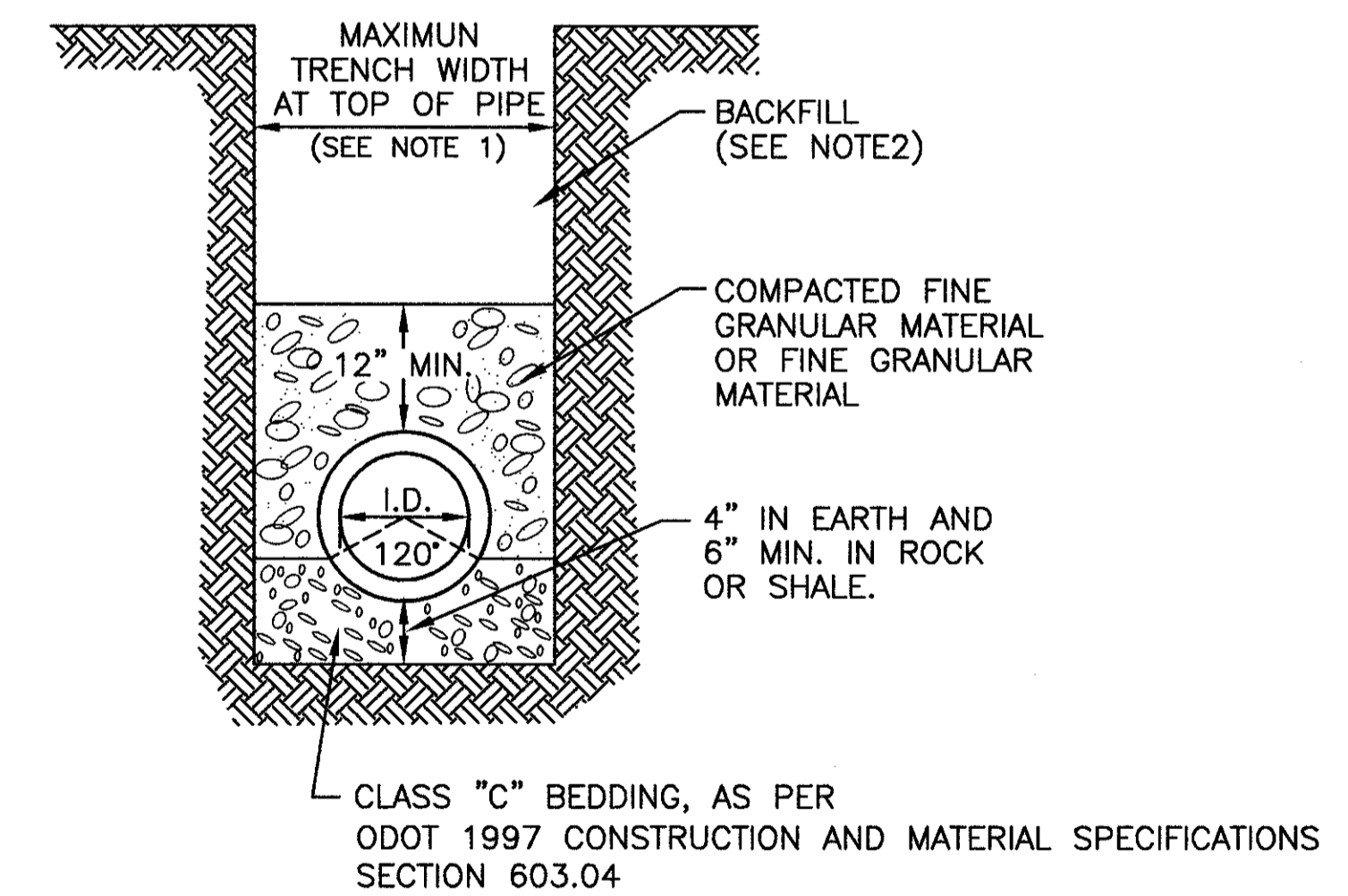
NO SCALE

NOTE:
CORPORATION STOPS TO BE CLOSED AND COPPER PIPE
CRIMPED AFTER STERILIZATION AND TESTING.



BLOWOFF DETAIL FOR
STERILIZATION AND TESTING
CONNECTIONS

NO SCALE



TRENCH & BEDDING DETAILS

NO SCALE

TRENCH AND BEDDING NOTES

1. MAXIMUM TRENCH WIDTH AT TOP OF PIPE SHALL BE O.D. PLUS 24".
2. PIPE BACKFILL UNDER PAVEMENT AND STRUCTURES SHALL BE CLASS "C" TO TOP OF TRENCH. THE BACKFILL MATERIAL SHALL EXTEND A MINIMUM OF 3 FEET BEYOND EACH EDGE OF PAVEMENT OR STRUCTURE. IN AREAS OUTSIDE OF PAVEMENT, SELECT ON-SITE GRANULAR MATERIAL APPROVED BY LAKE COUNTY SANITARY ENGINEER MAY BE USED IN LIFTS NOT TO EXCEED 6" FOR PIPE BACKFILL ABOVE BEDDING.
3. SLAG BEDDING SHALL NOT BE USED.
4. WATERLINE BEDDING SHALL BE CLASS "C".

CALCULATED
CHECKED