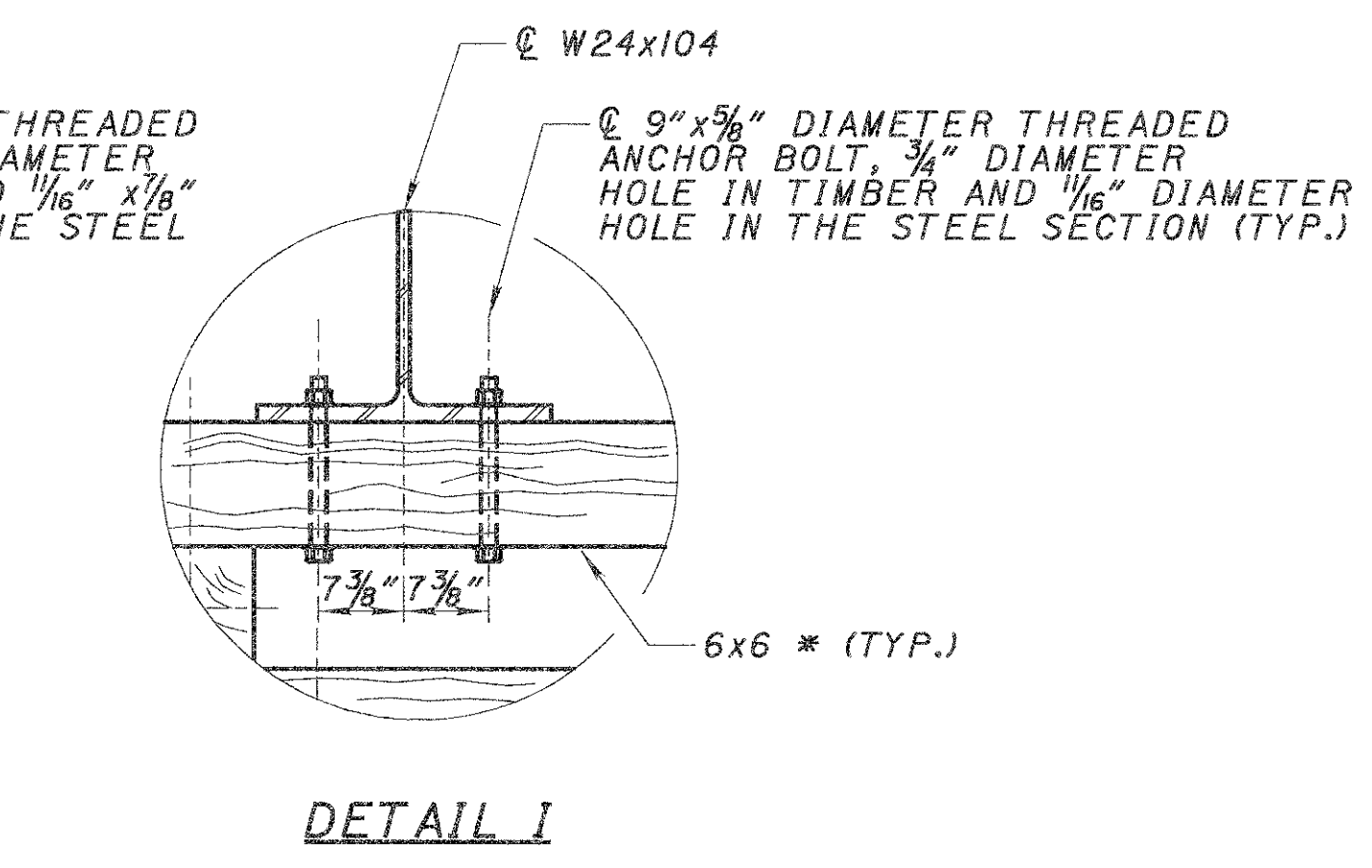
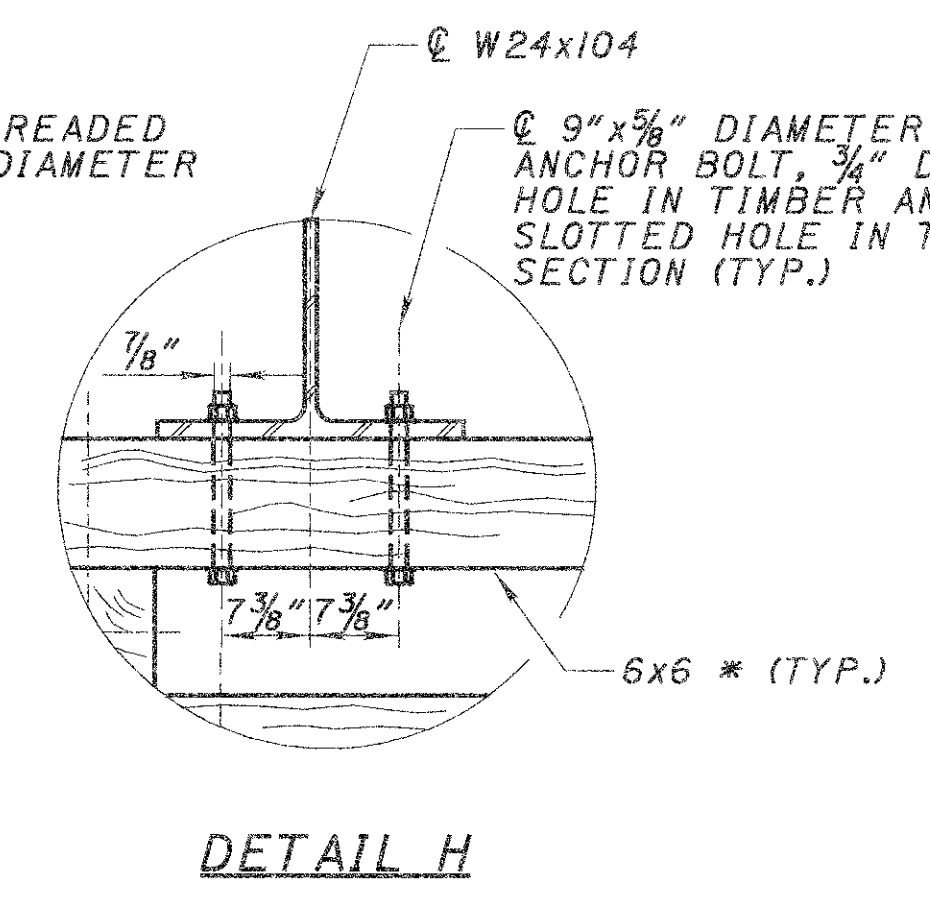
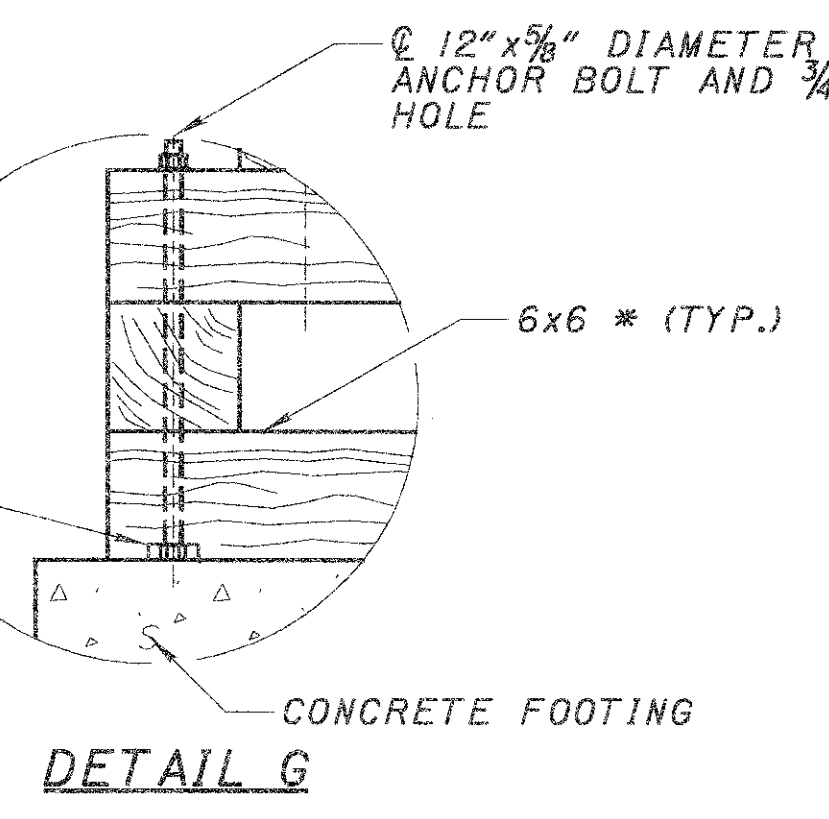
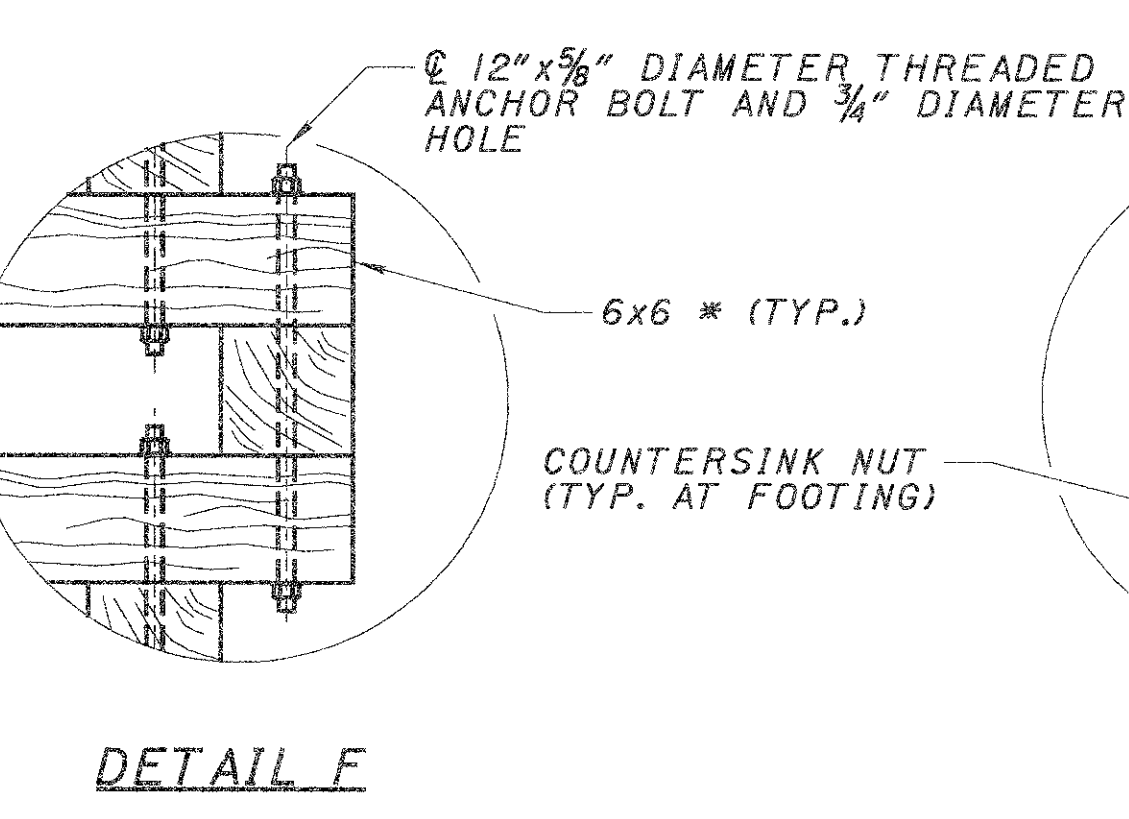
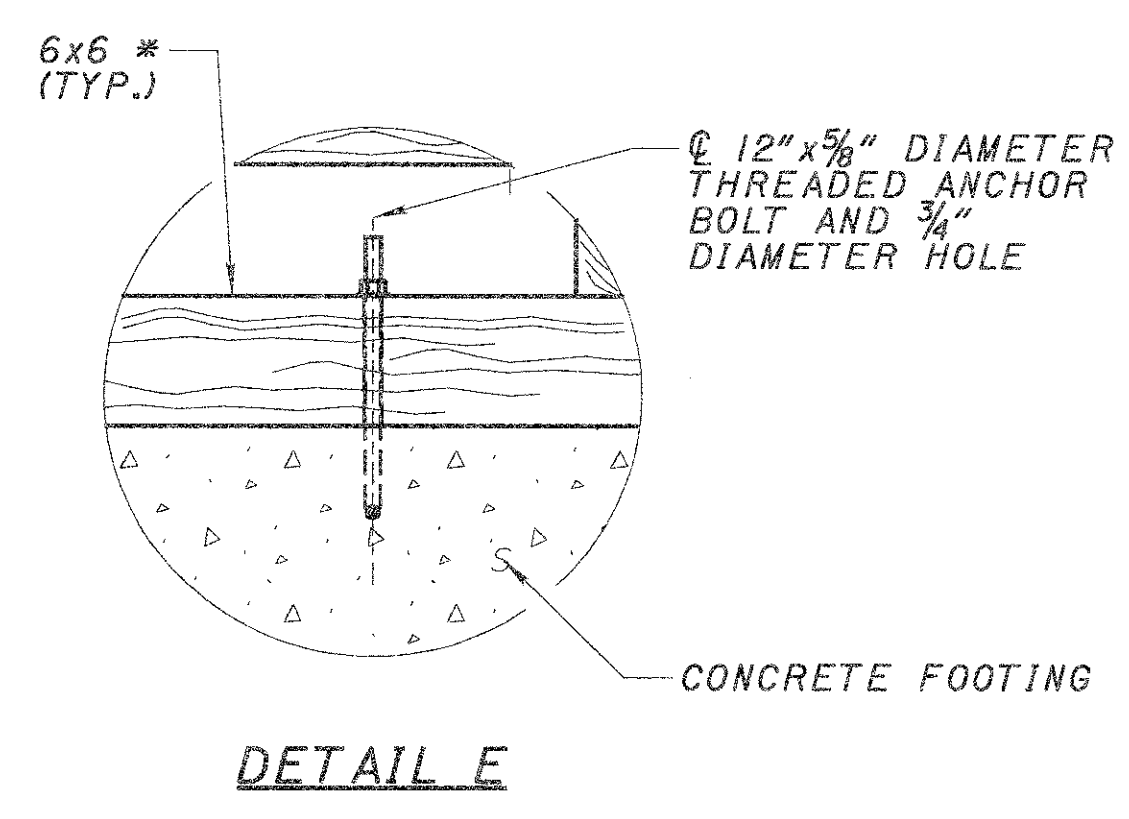
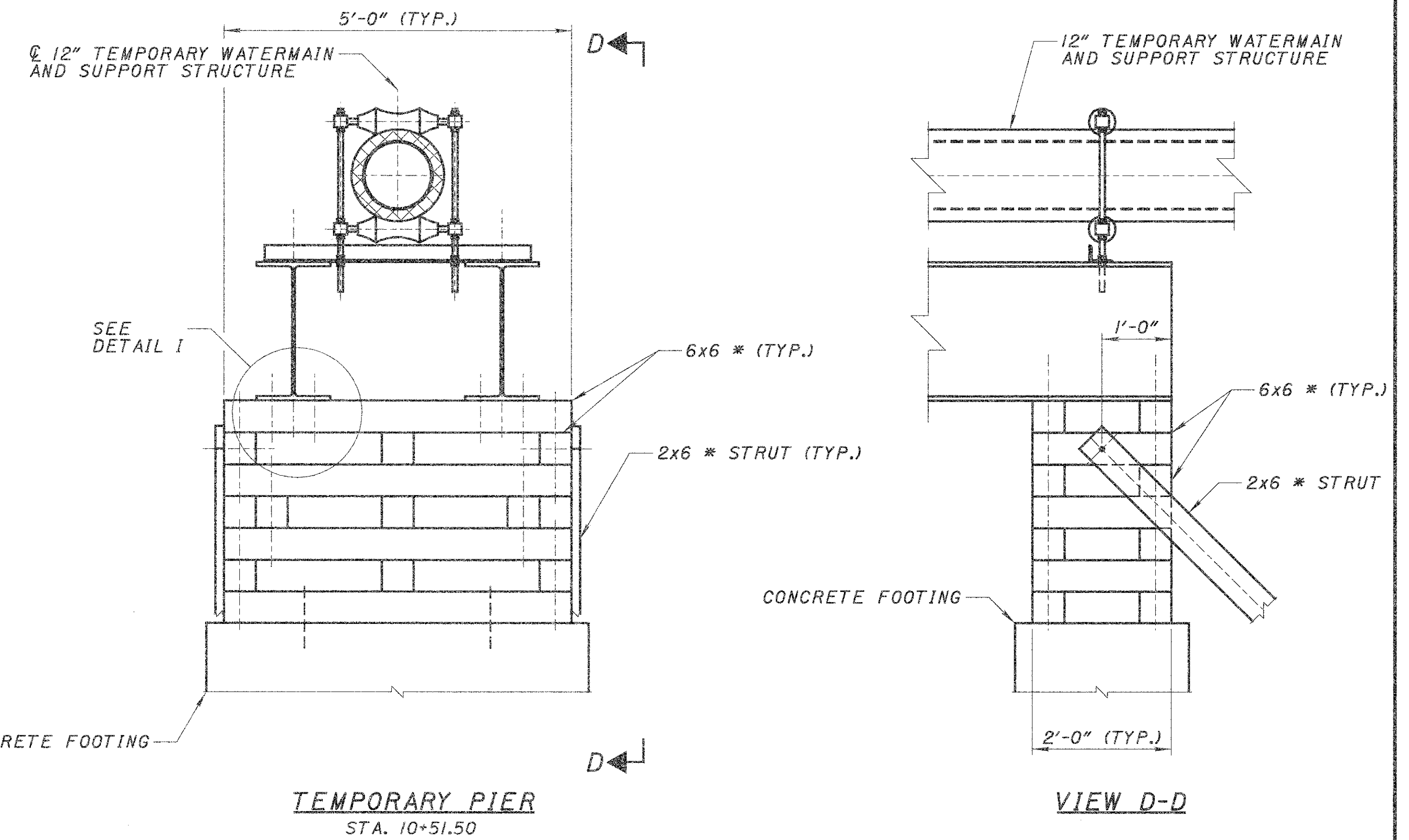
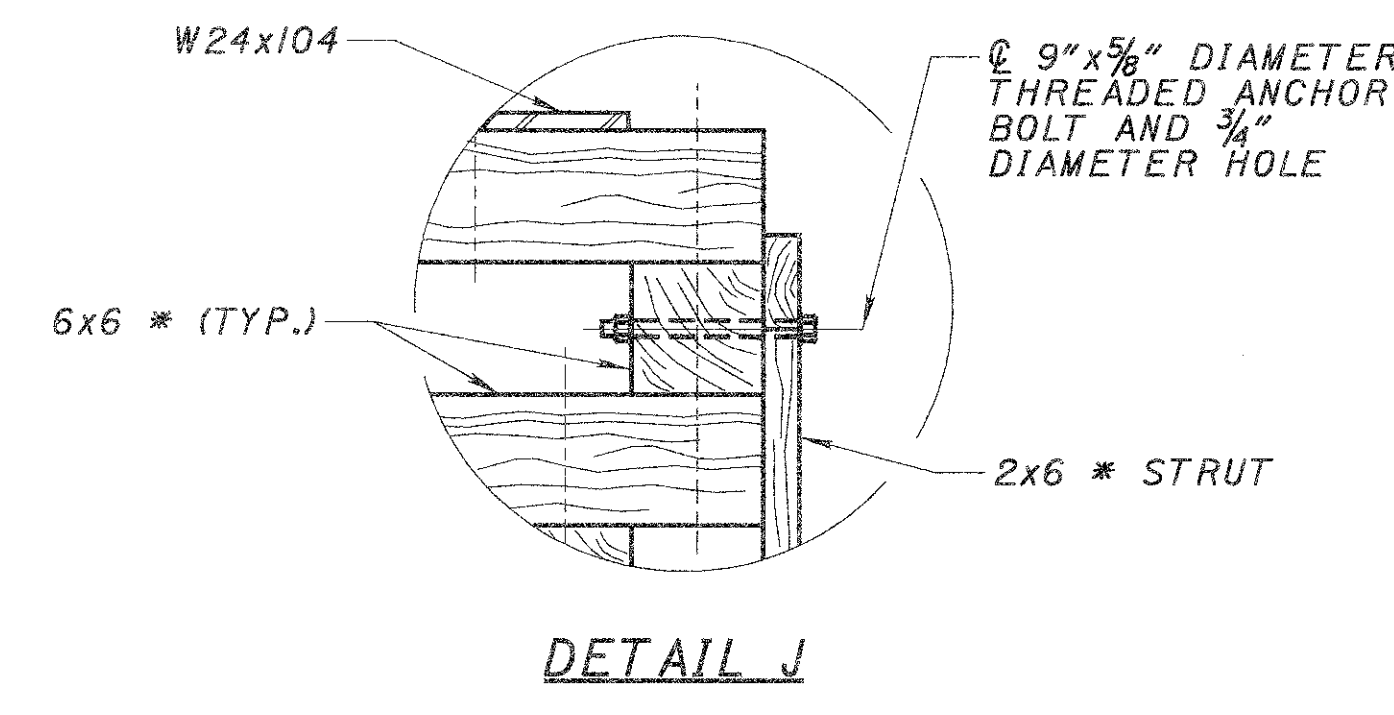
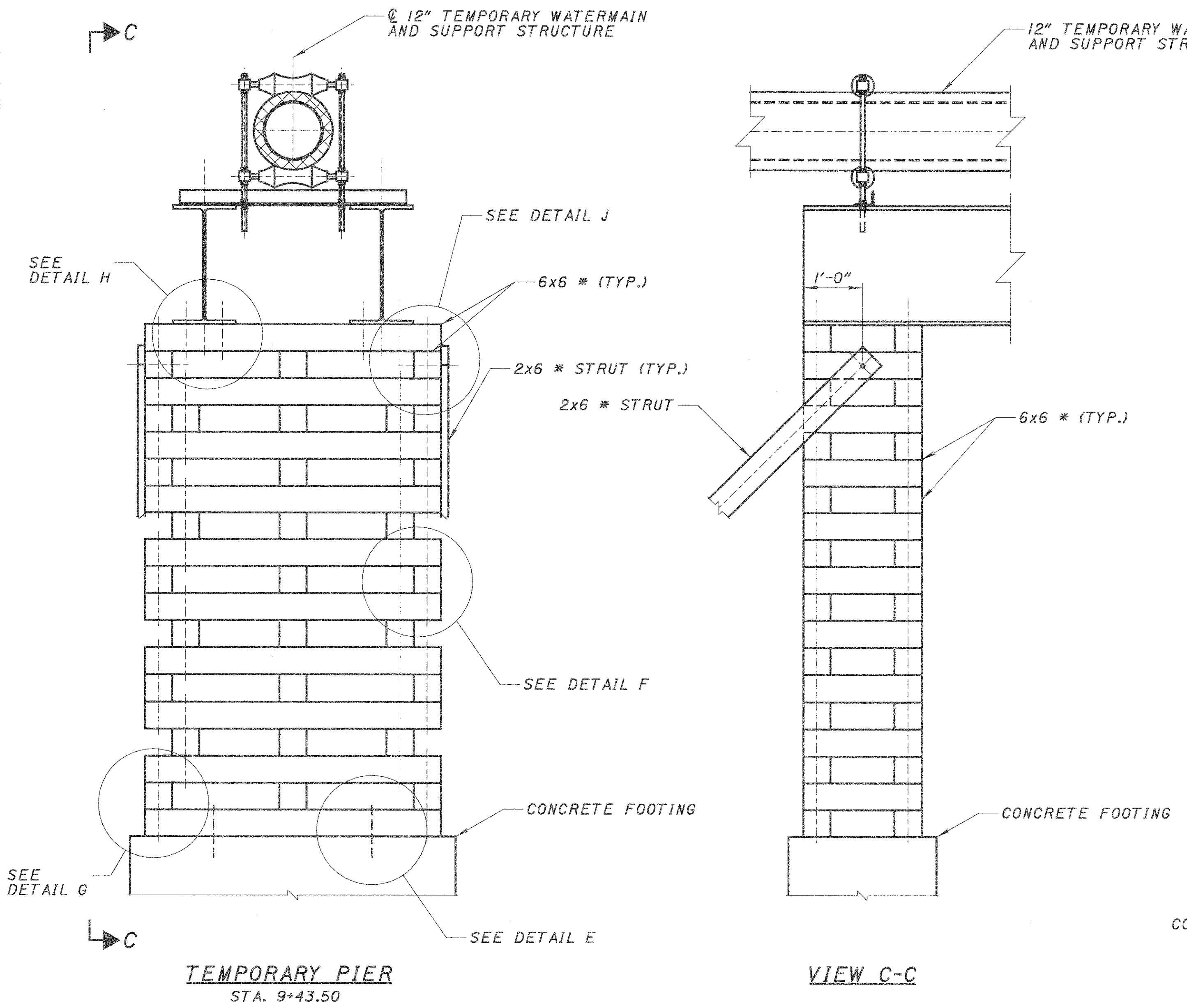


I:\Projects\0001\24580.Lak-20\Drawings\waterline\2.dgn 23-OCT-2002 3:04PM didwrence



NOTES:

- * 6x6 TIMBER SHALL BE SOUTHERN PINE NO. 1 OR BETTER. INCLUDE WITH ITEM 502 FOR PAYMENT.
- INCLUDE ANCHOR BOLTS, THREADED ROD, AND MISCELLANEOUS CONNECTION HARDWARE WITH ITEM 502 FOR PAYMENT.
- CONTRACTOR HAS THE OPTION TO DESIGN, SEAL, AND ERECT ALTERNATE TEMPORARY PIERS WITH THE APPROVAL OF THE ENGINEER.