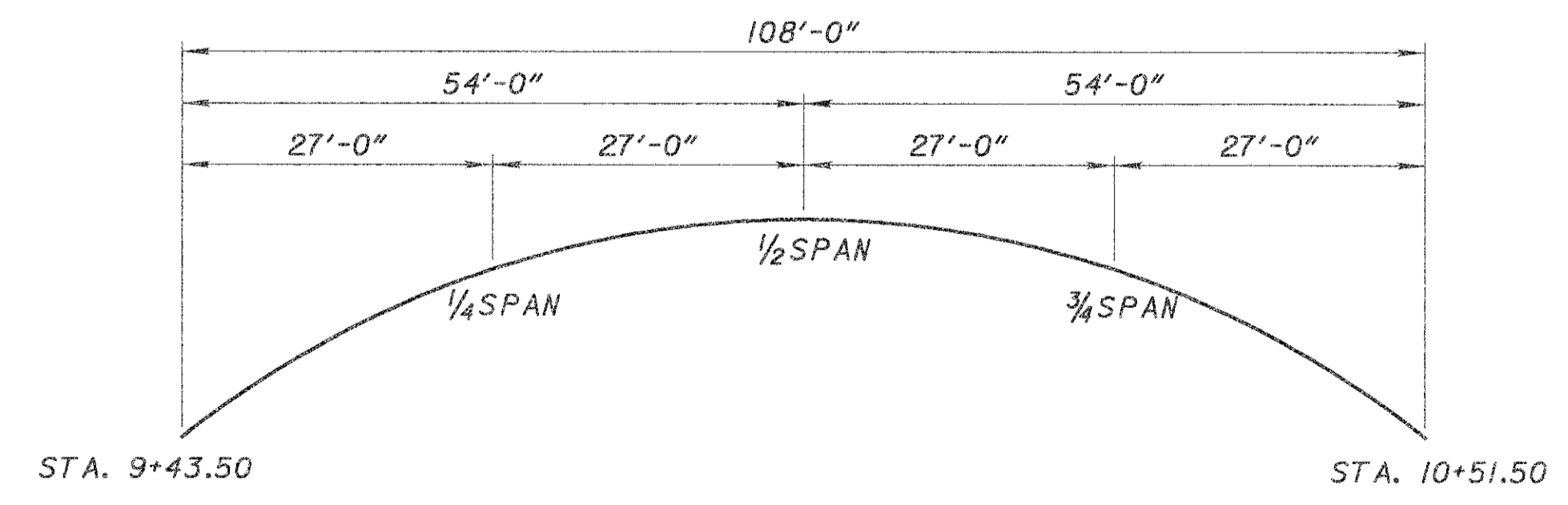
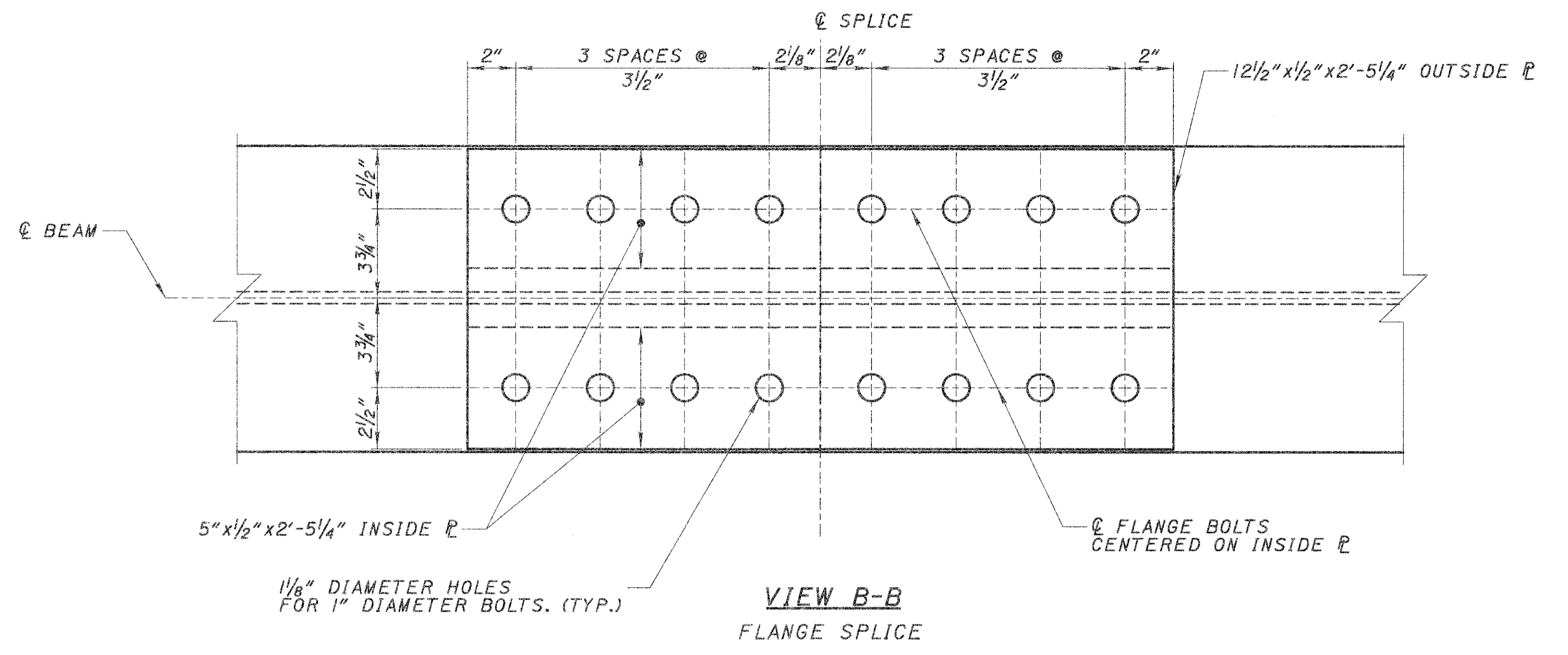


SECTION A-A
WATERMAIN SUPPORT

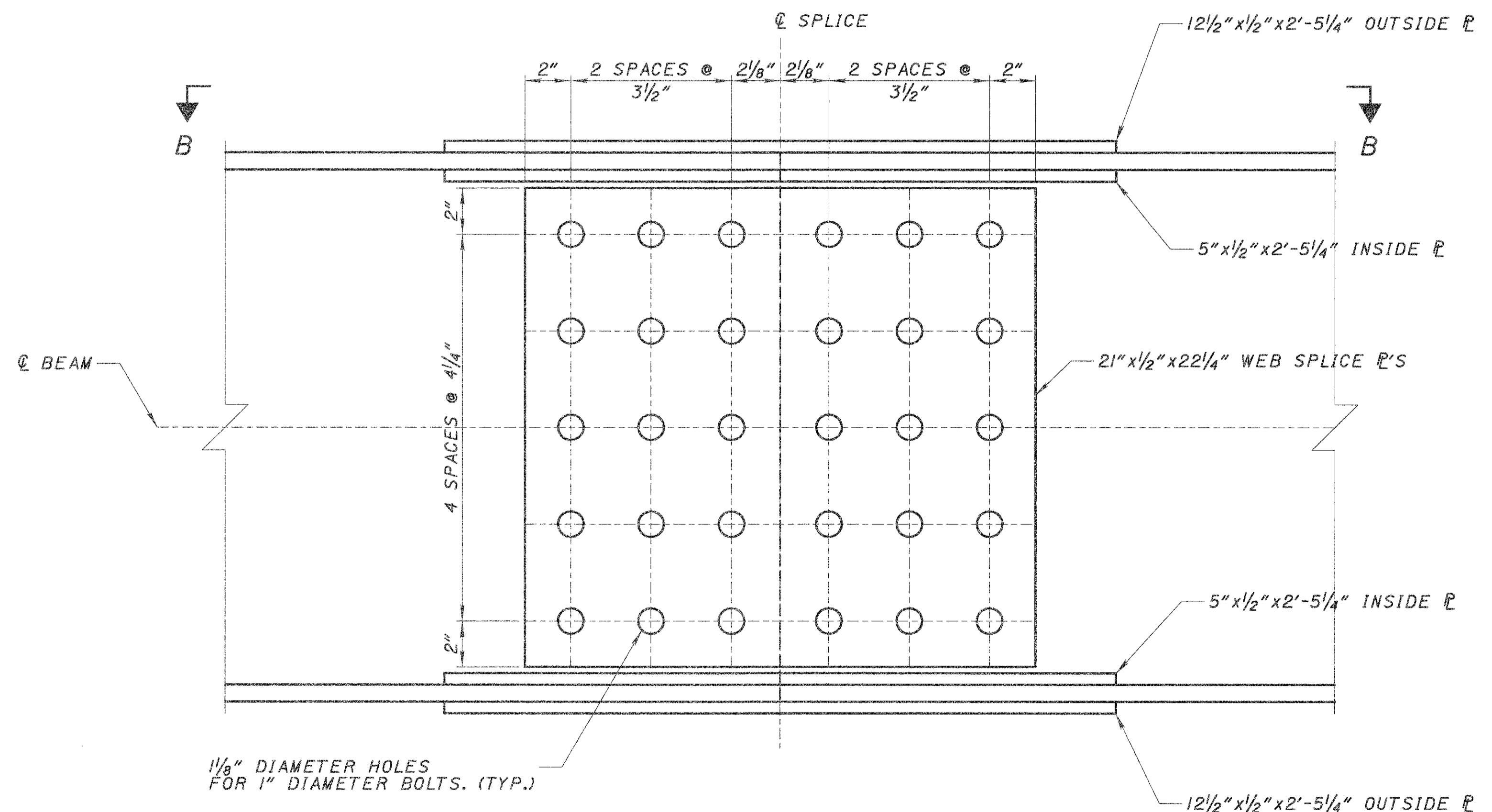


CAMBER DIAGRAM

CAMBER TABLE (IN.)				
STA. 9+43.50	1/4 SPAN	1/2 SPAN	3/4 SPAN	STA. 10+51.50
0.00	4.04	5.67	4.04	0.00



VIEW B-B
FLANGE SPLICE



BEAM SPLICE DETAIL
WEB SPLICE

NOTES:
ALL SHAPES AND PLATES SHALL BE DESIGNATED (CVN), AND SHALL MEET SPECIFIED MINIMUM NOTCH TOUGHNESS REQUIREMENTS AS SPECIFIED IN 711.01 OF CMS.
ALL FIELD SPLICE FASTENERS ARE 1" DIAMETER HIGH STRENGTH BOLTS. ASTM A-325.
FOR BEAM SPLICE AND SECTION A-A LOCATIONS, SEE SHEET 37B/72
INCLUDE ALL STRUCTURAL STEEL, SPLICES, AND WATERLINE ROLLER ASSEMBLIES WITH ITEM 502 FOR PAYMENT.

I:\Projects\0001\24580.Lak-20\Drawings\TEMP\1.dgn 23-OCT-2002 3:03PM clw/rnc