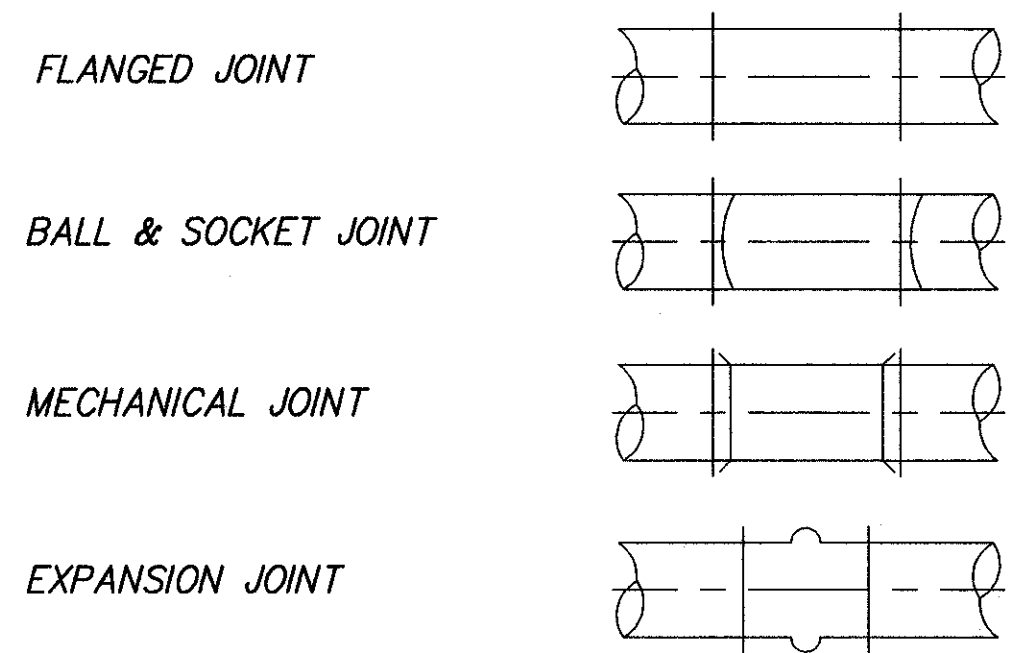


PIPE JOINT LEGEND



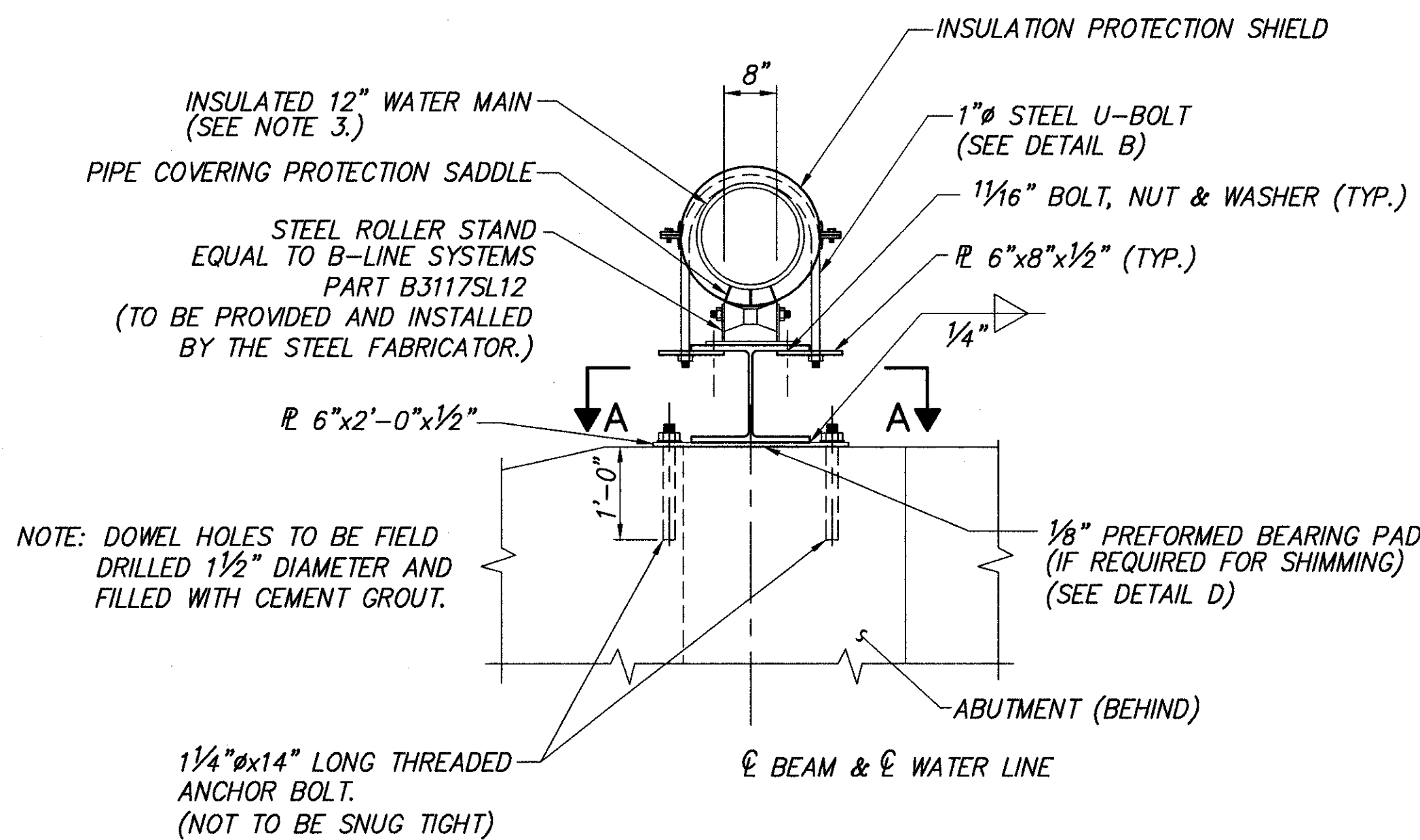
- 1 1/2" CORP. STOP WITH 12'-0" MINIMUM LENGTH
1/2" COPPER PIPE. PLUG TAP AFTER TESTING AND ACCEPTANCE.
- 2 SINGLE BALL EXPANSION JOINT EQUAL TO EBAA IRON FLEX-TEND MODEL 412F10.

NOTE: FOR WATER MAIN PAYMENT ITEMS, SEE SUB-SUMMARY ON SHEET 39/72

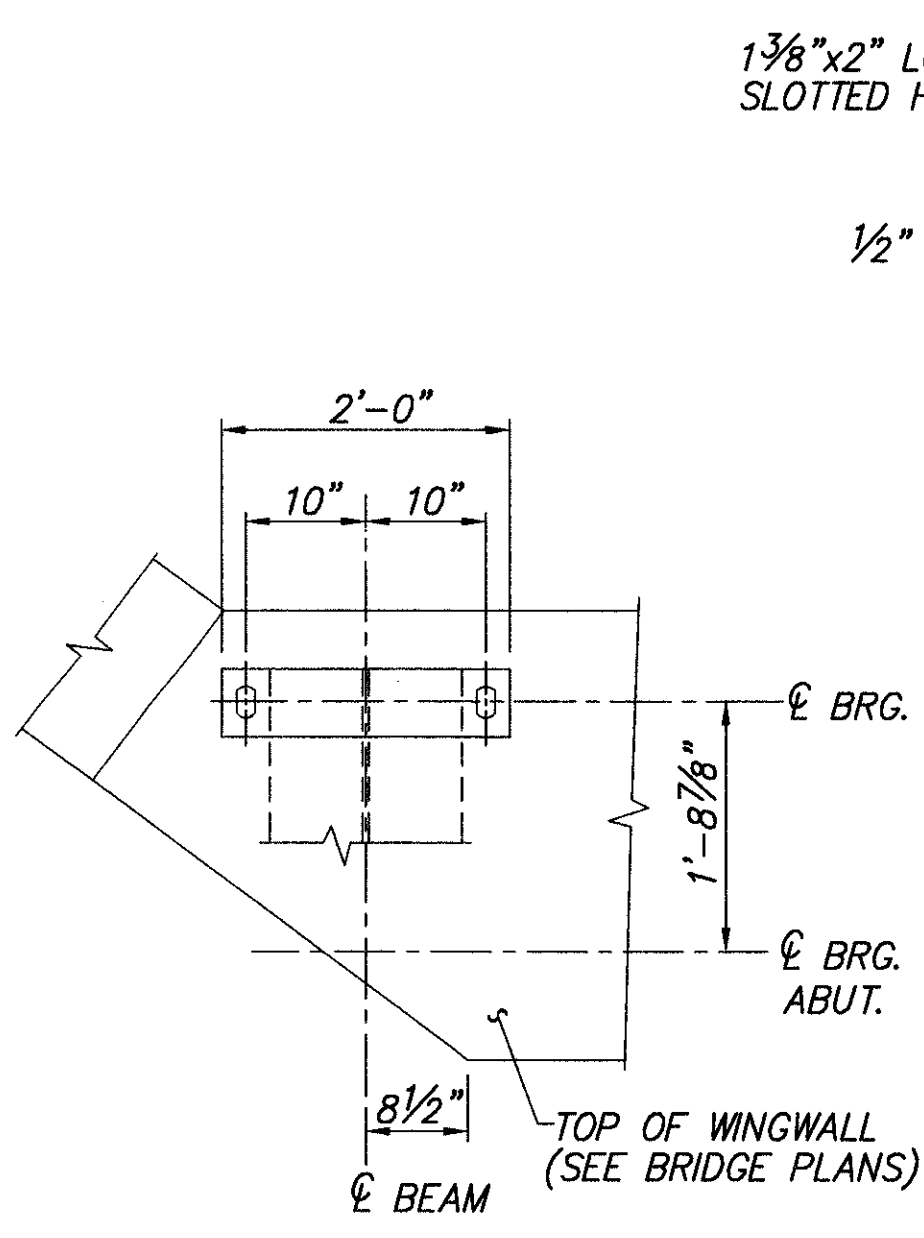
BEAM ELEVATION
(INSULATION NOT SHOWN)

ESTIMATED QUANTITIES				
ITEM	ITEM EXT.	TOTAL	UNIT	DESCRIPTION
510	09950	4	EACH	DOWEL HOLES WITH CEMENT GROUT
863	10200	4,763	POUND	STRUCTURAL STEEL MEMBERS, MISCELLANEOUS LEVEL FABRICATION, A709, GRADE 50W
863	95020	LUMP SUM		STRUCTURAL STEEL, MISC.: ANCHOR BOLTS, U-BOLTS, NUTS AND WASHERS
863	95030	6	EACH	STRUCTURAL STEEL, MISC.: STEEL ROLLER STANDS
516	41100	2	EACH	1/8" PREFORMED BEARING PAD, 711.21

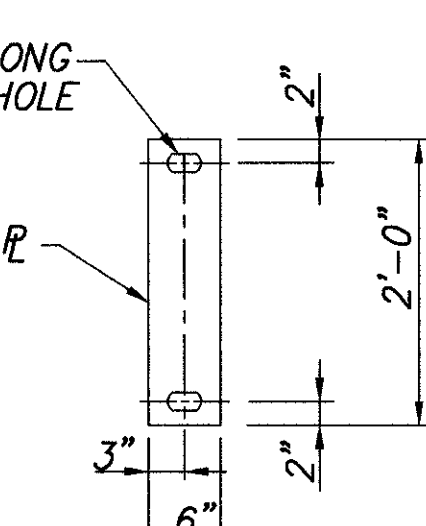
(QUANTITIES CARRIED TO SHEET 39)



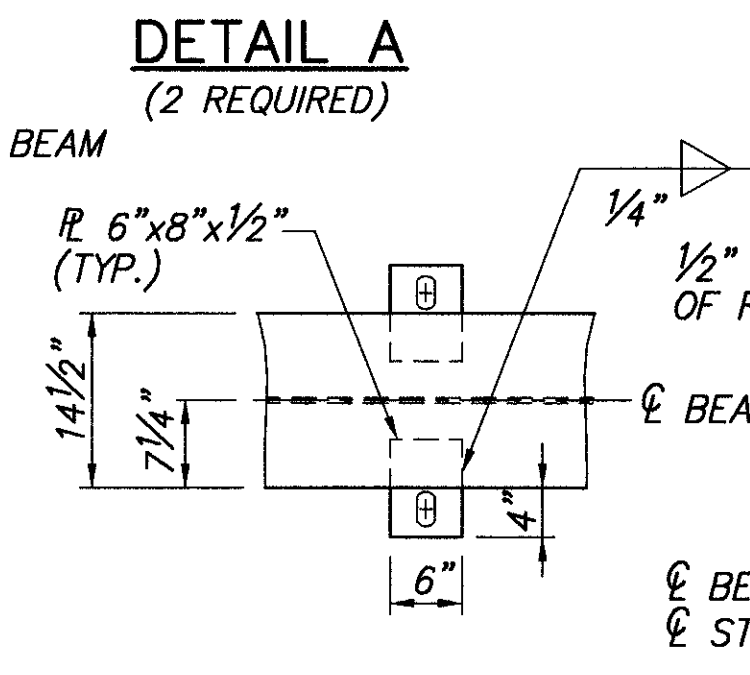
WATER LINE SUPPORT DETAIL



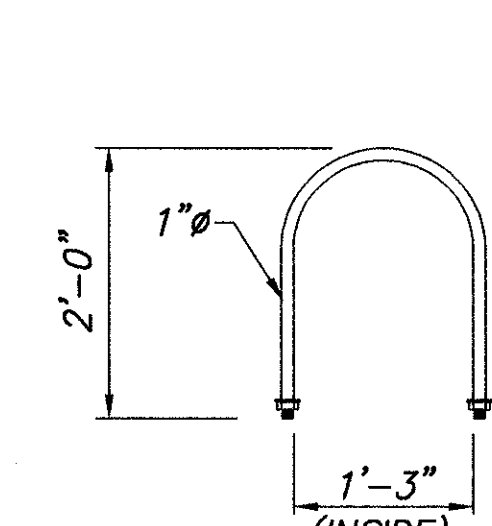
VIEW A-A



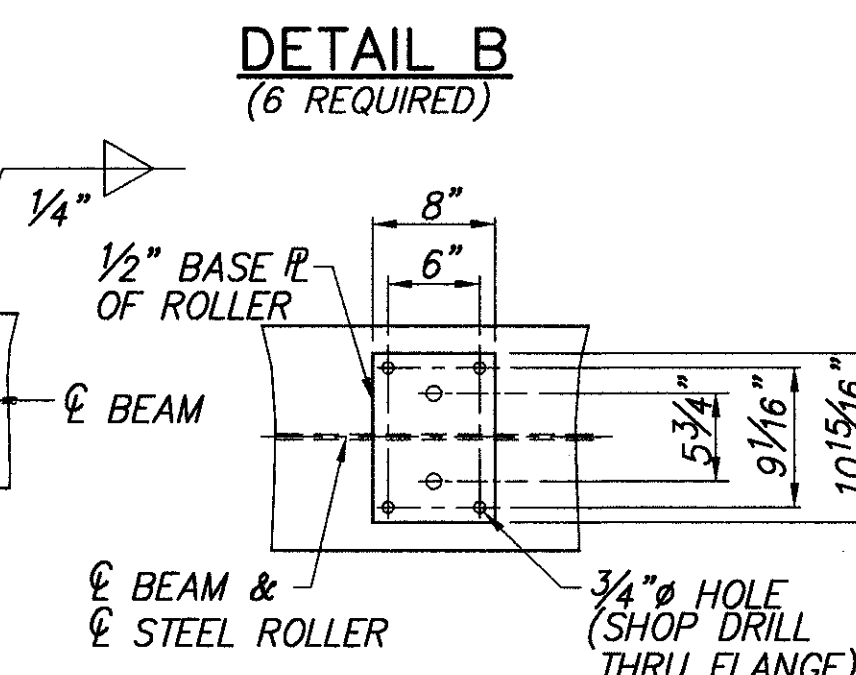
DETAIL A
(2 REQUIRED)



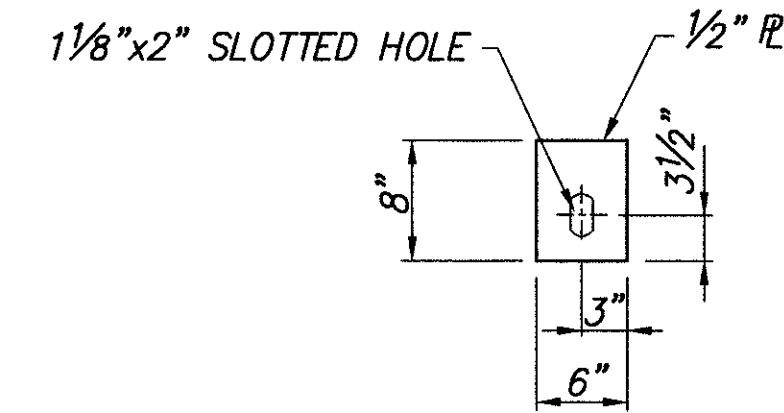
VIEW B-B



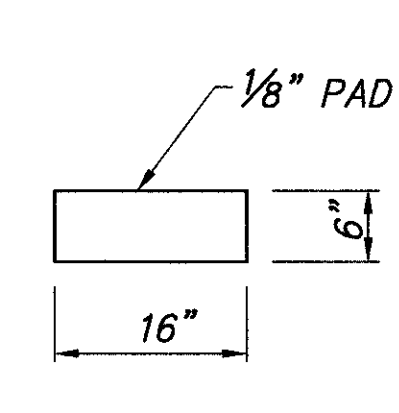
DETAIL B
(6 REQUIRED)



VIEW C-C



DETAIL C
(12 REQUIRED)



DETAIL D
(2 REQUIRED)

NOTES

- ALL STRUCTURAL STEEL SHALL BE ASTM A588/A709, GRADE 50W (WEATHERING STEEL) UNLESS OTHERWISE NOTED. PAYMENT FOR MATERIALS AND INSTALLATION SHALL BE UNDER ITEM 863 - STRUCTURAL STEEL MEMBERS, MISCELLANEOUS LEVEL FABRICATION, A709, GRADE 50W.
- ANCHOR BOLTS AND U-BOLTS SHALL BE GALVANIZED ASTM A325 (711.09). NUTS AND WASHERS SHALL ALSO BE GALVANIZED. PAYMENT FOR SUPPLYING AND INSTALLING ALL THIS ANCHORAGE HARDWARE SHALL BE UNDER ITEM 863 - STRUCTURAL STEEL, MISC.: ANCHOR BOLTS, U-BOLTS, NUTS AND WASHERS.
- THE 12" WATER MAIN SHALL BE WRAPPED IN 2" THICK GLASS FIBER PREFORMED PIPE INSULATION ENCASED IN A 360° INSULATION PROTECTION SHIELD. SEE THE WATER MAIN GENERAL NOTES FOR MORE INFORMATION ON SHEET 35/72.

H:\2000\00253\DWG\BEAMDET.DWG PLOT SCALE 1:24

DATE	
REVIEWED	
STRUCTURE FILE NUMBER	
DRAWN	
R.R.C.	
REVISION	
DESIGNED	
R.R.C.	
CHECKED	
J.P.R.	