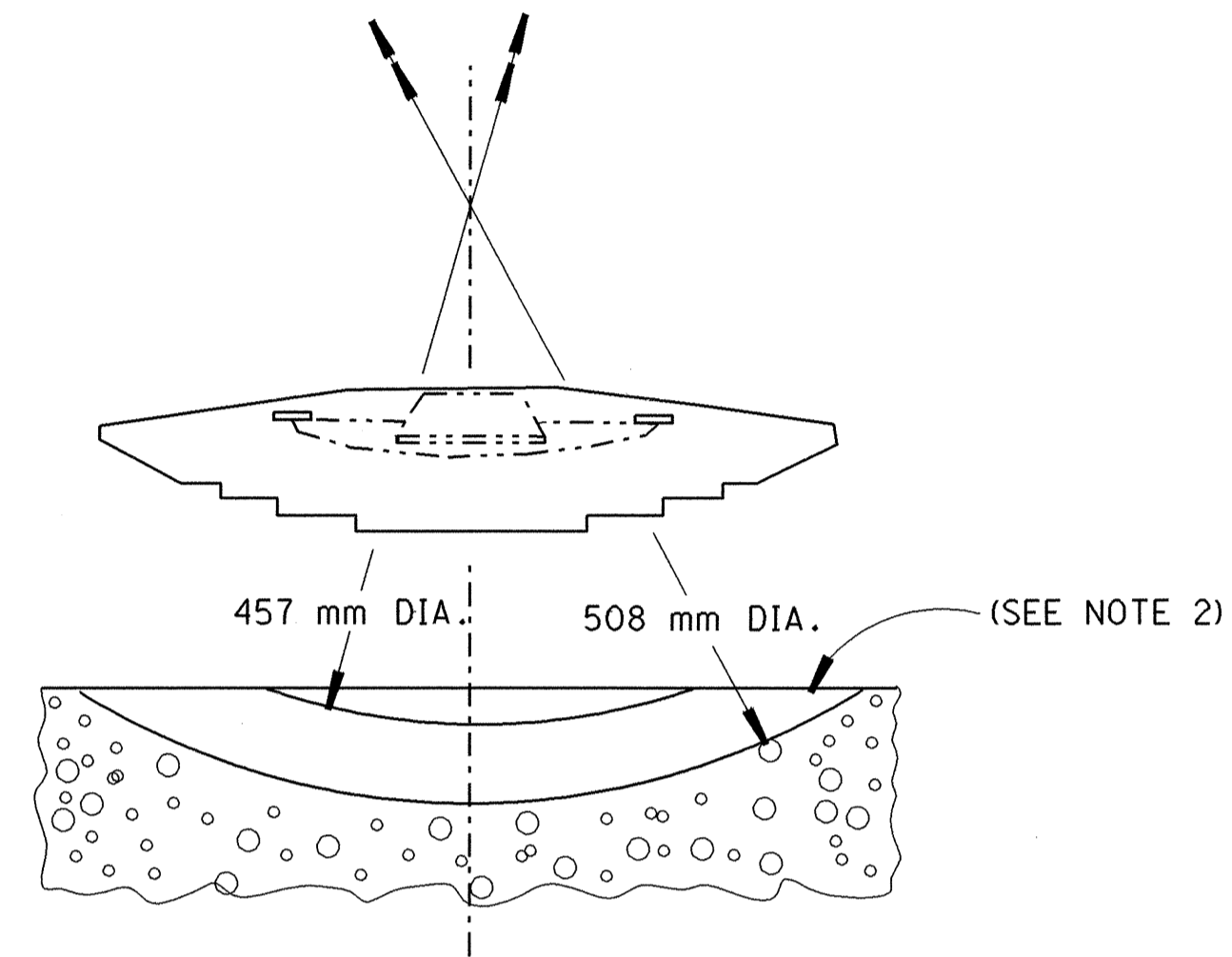
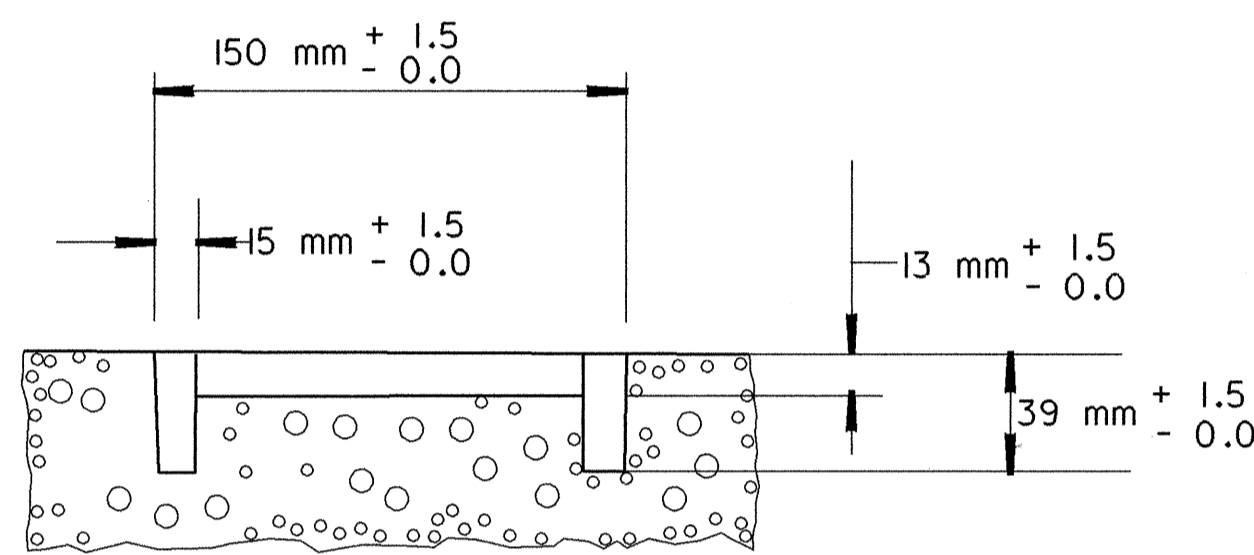
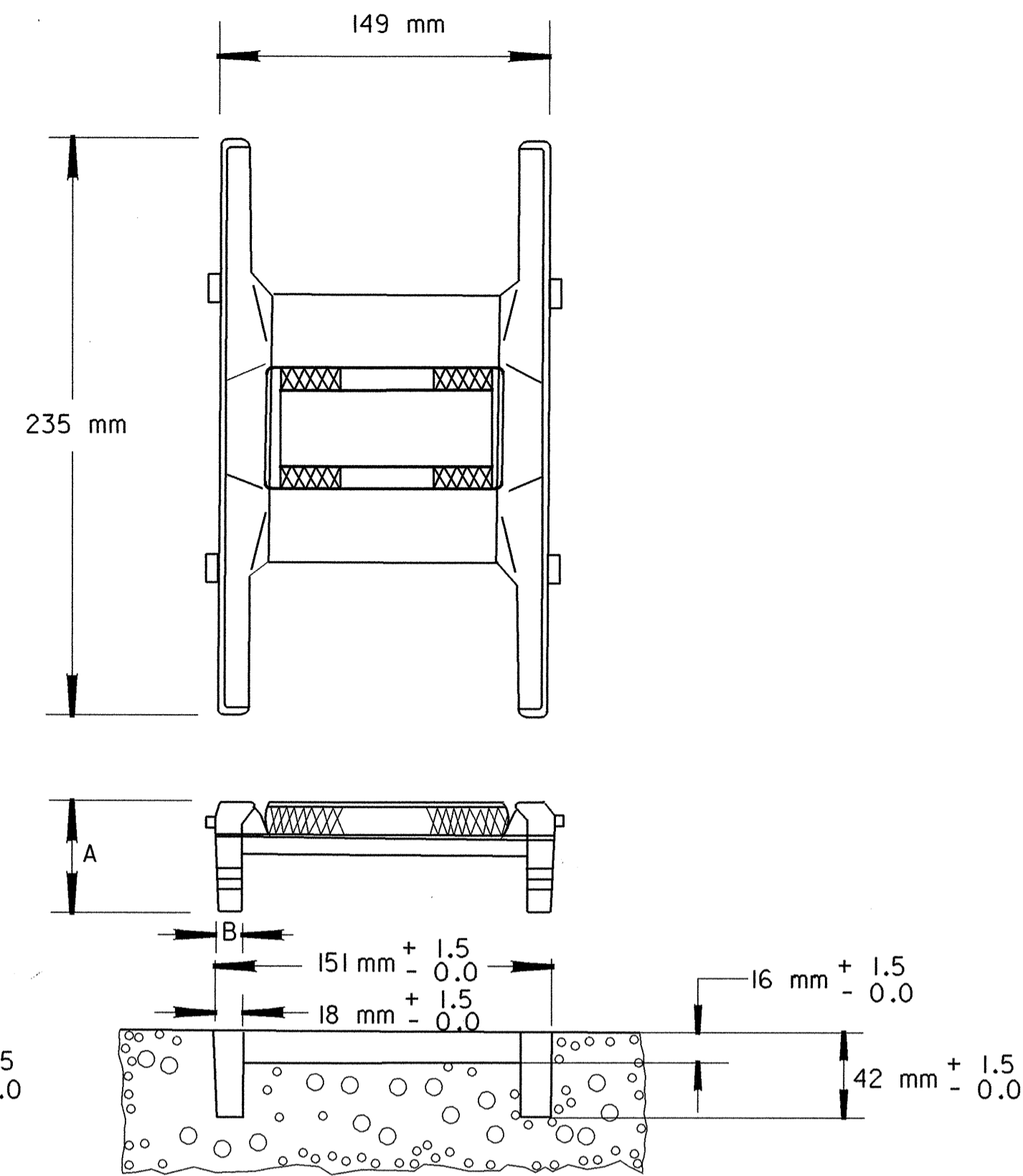


NOTES

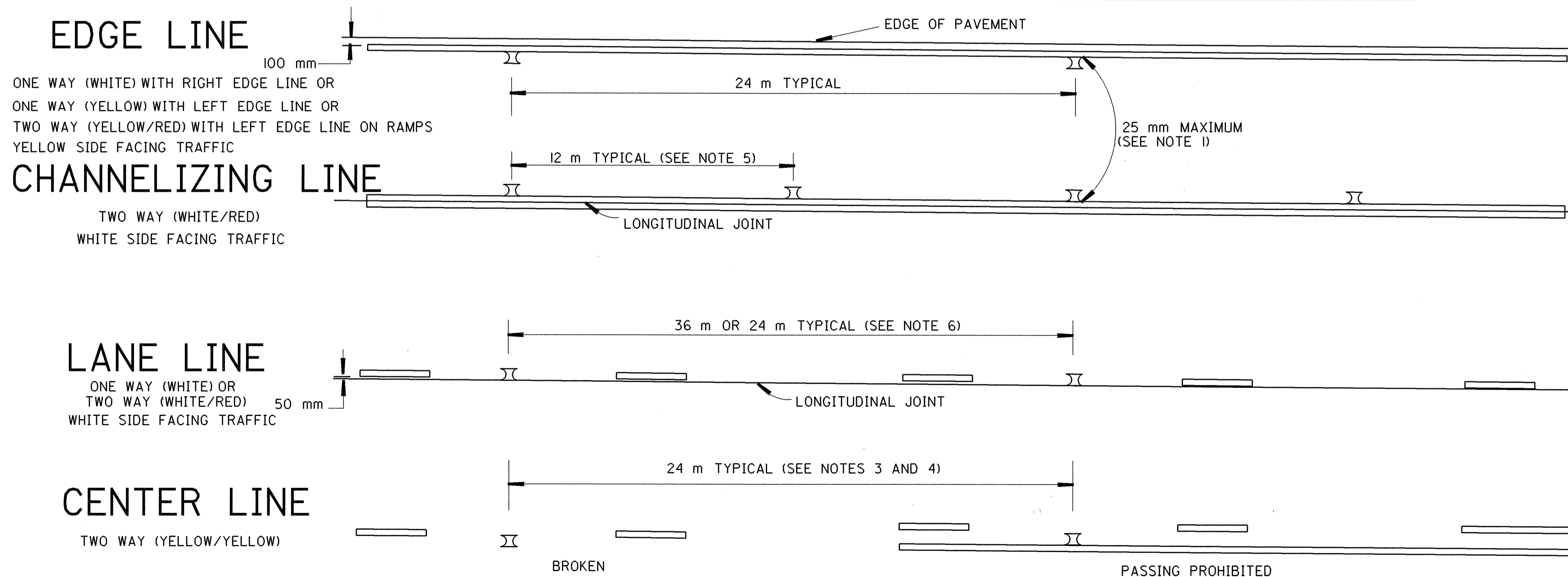
1. CENTER LINE MARKERS SHALL BE PLACED BETWEEN THE TWO LINES. MARKERS INSTALLED ALONG AN EDGE LINE OR CHANNELIZING LINE SHALL BE PLACED SO THAT THE CASTING IS NO MORE THAN 25 mm FROM THE NEAR EDGE OF THE LINE. MARKERS INSTALLED ALONG A LANE LINE OR DASHED YELLOW CENTER LINE SHALL BE PLACED BETWEEN AND IN LINE WITH THE DASHES. MARKERS SHALL NOT BE PLACED OVER THE LINES EXCEPT WHERE THE LINES DEVIATE VISIBLY FROM THEIR CORRECT ALIGNMENT, AND THEN ONLY WITH THE APPROVAL OF THE ENGINEER.
2. TO FACILITATE THE CUTTING OF THE TWO PARALLEL SLOTS AND INTERVENING CONCAVED SURFACE SIMULTANEOUSLY, IT IS RECOMMENDED THAT AN ARBOR AND SAW BLADES ASSEMBLY BE USED. FOR ADDITIONAL DETAILS AND TOLERANCES OF THE CASTING AND ARBOR-SAW ASSEMBLY CONTACT THE CASTING MANUFACTURE.
3. FOR HORIZONTAL CURVE RADIUS OF 380 METERS OR LESS, THE SPACING OF THE CENTER LINE MARKERS SHALL BE REDUCED TO 12 m BETWEEN P.C. OR T.S. AND P.T. OR S.T.
4. FOR HORIZONTAL CURVE RADIUS OF 250 METERS OR LESS, THE SPACING OF THE CENTER LINE MARKERS MAY BE REDUCED TO 6 m BETWEEN P.C. OR T.S. AND P.T. OR S.T. WHEN USING 6m SPACING, 12 RAISED PAVEMENT MARKERS AT 12 m SPACING SHALL BE INSTALLED ON EACH END OF THE 6 m SPACING.
5. WHEN A CHANNELIZING LINE IS LESS THAN 24 m IN LENGTH, ONE RAISED PAVEMENT MARKER SHALL BE PLACED AT EACH END OF THE LINE AND ONE SHALL BE PLACED IN THE CENTER OF THE LINE.
6. RAISED PAVEMENT MARKERS ON LANE LINES ON FREEWAYS SHALL BE ONE WAY WHITE SPACED AT 36 METERS. ALL OTHER RAISED PAVEMENT MARKERS ON LANE LINES ON MULTILANE OR DIVIDED ROADWAYS SHALL BE TWO WAY RED/WHITE SPACED AT 24 METERS.

	CONVENTIONAL TYPE	LOW PROFILE TYPE
A	44 mm	43 mm
B	12 mm	15 mm



OPTIONAL FOR CONVENTIONAL TYPE

CASTING AND SAW CUT DETAILS



metric
units

OFFICE OF TRAFFIC ENGINEERING DIVISION OF ENGINEERING POLICY OHIO DEPARTMENT OF TRANSPORTATION	
TRAFFIC CONTROL	DATE 11/03/93 11/01/95
RAISED PAVEMENT MARKER INSTALLATION DETAILS	
STANDARD CONSTRUCTION DRAWING	TC-65.10M
APPROVED <i>[Signature]</i>	ADMINISTRATOR

TYPICAL RAISED PAVEMENT MARKER PLACEMENT WITH LONGITUDINAL PAVEMENT MARKINGS