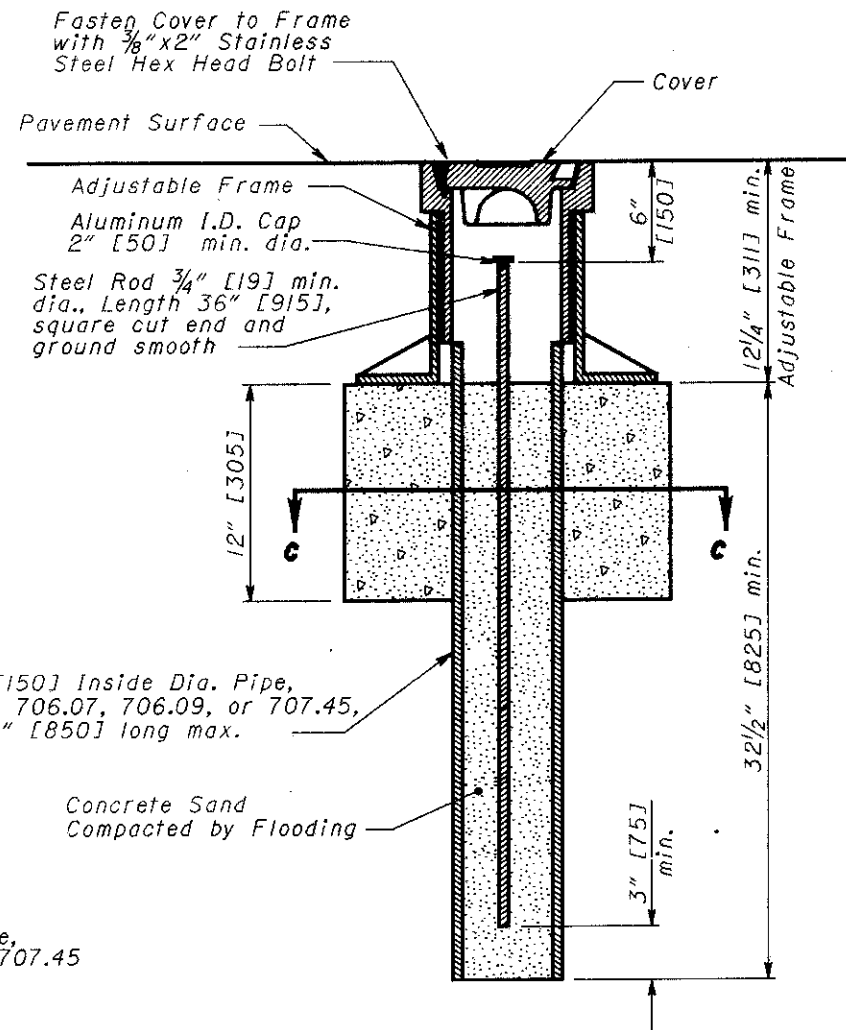
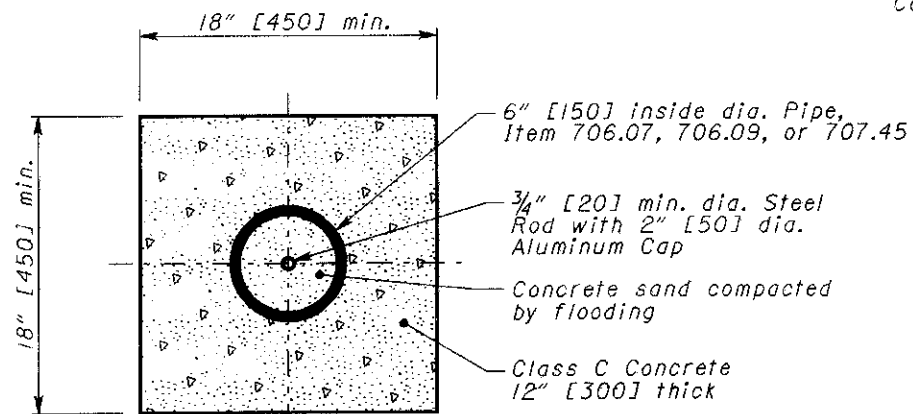


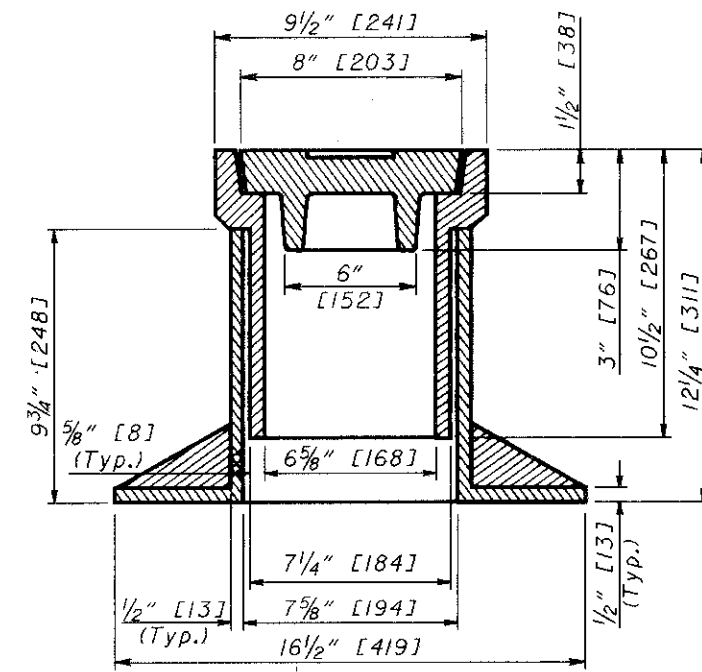
TOP VIEW



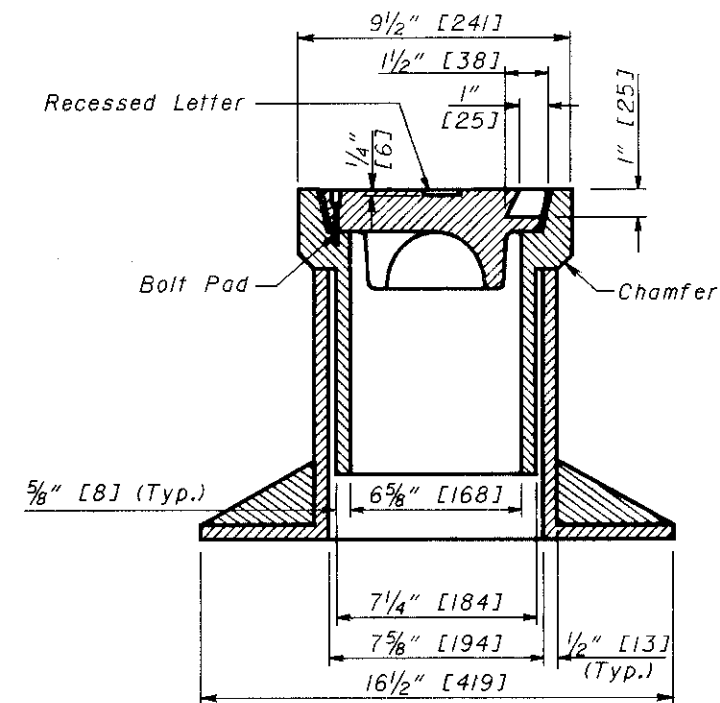
SIDE VIEW



SECTION C-C



SECTION A-A



SECTION B-B

ADJUSTABLE CENTERLINE MONUMENT DETAILS

THIS DRAWING REPLACES RM-1.1M DATED 4-8-97.

NUMBER
RM-1.1

STANDARD ROADWAY CONSTRUCTION DRAWING
ROADWAY MONUMENTS

DESIGN AGENCY
OFFICE OF PLANNING

All metric dimensions (in brackets []) are in millimeters unless otherwise noted.

STATUS: E.M.W. M. EVANS
DRAWN D. FOCKE

REVISORS

OHIO DEPARTMENT OF TRANSPORTATION
Raymond J. Sattler
ROADWAY DESIGN ENGINEER
DATE 4-29-99