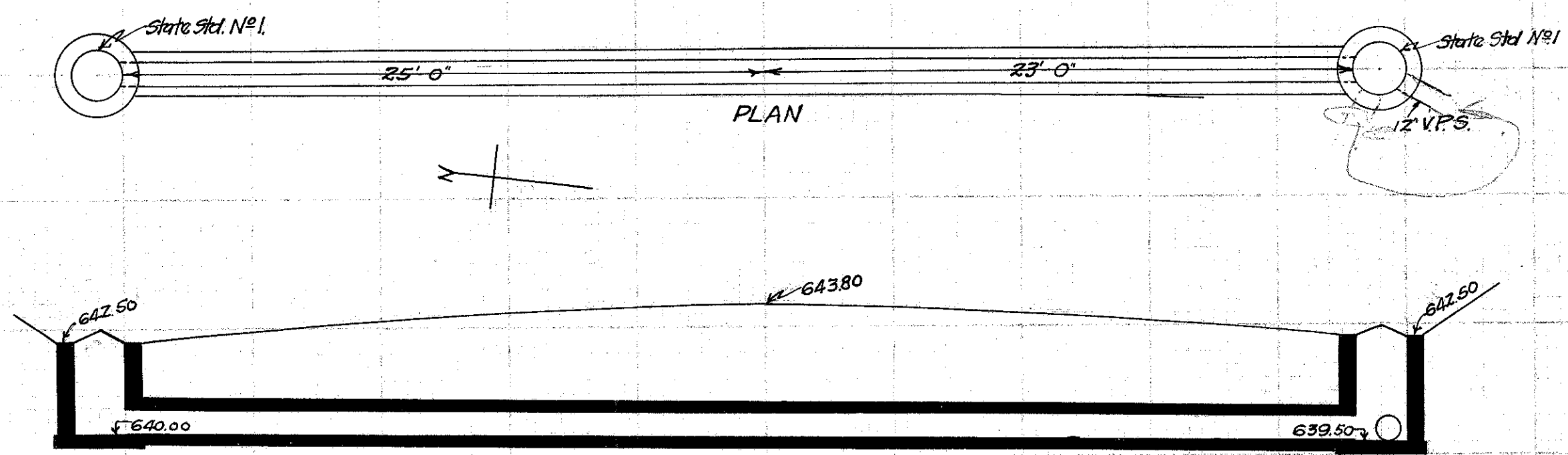


30 25 20 15 10 5 5 10 15 20 25 30

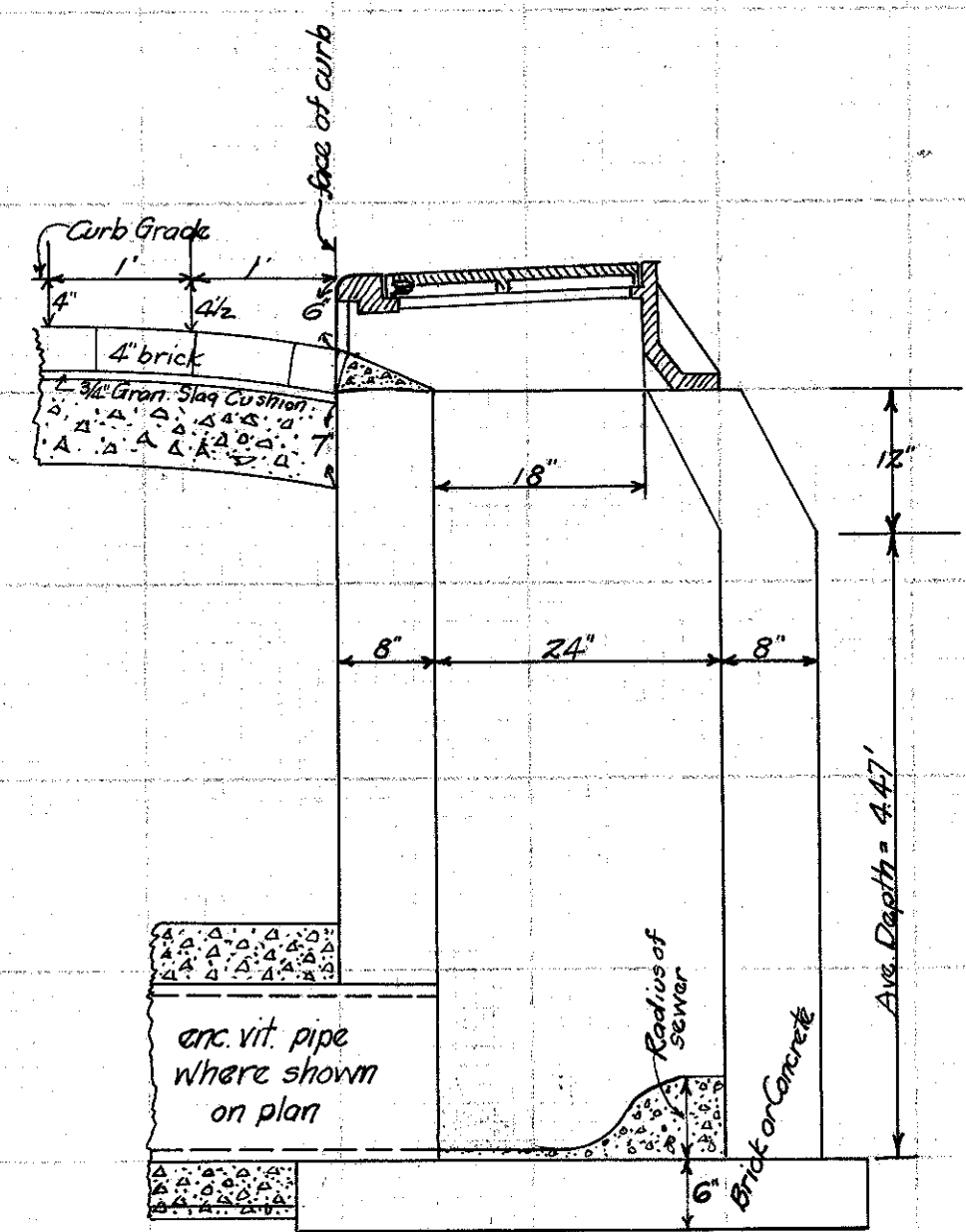


CULVERT DATA
 Type: Std. V.S.P. enc. culvert
 Size: 12" x 48'
 Work Req: Build 12' x 48' Std. V.S.P. enc. culvert.
 State Std. No. 1 I.B.s. R+L + connect to 12" V.S. on R.
 Drawn by Plummer
 Date, 3/14/30

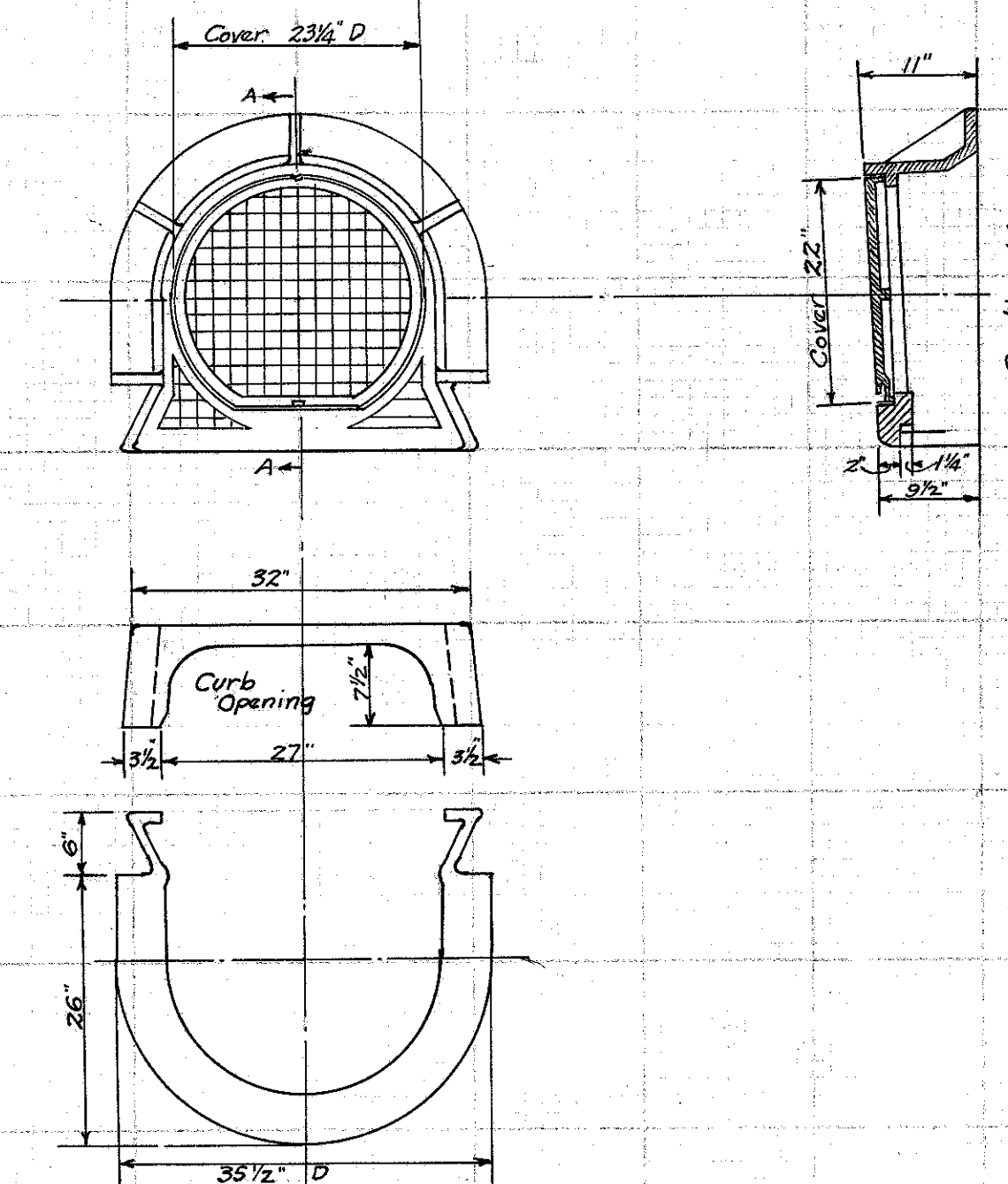
EST. QUANTITIES
 Exc. 16.2 cu. yds.
 12" V.P. 48 lin. ft.
 Con. 1-8 5.1 cu. yds.
 I.B.'s Std. No. 1 complete 2
 Sta. 0+25 (Old North Ridge Rd.)

Checked by: _____
 Date, _____
 Div'n. Engr. _____

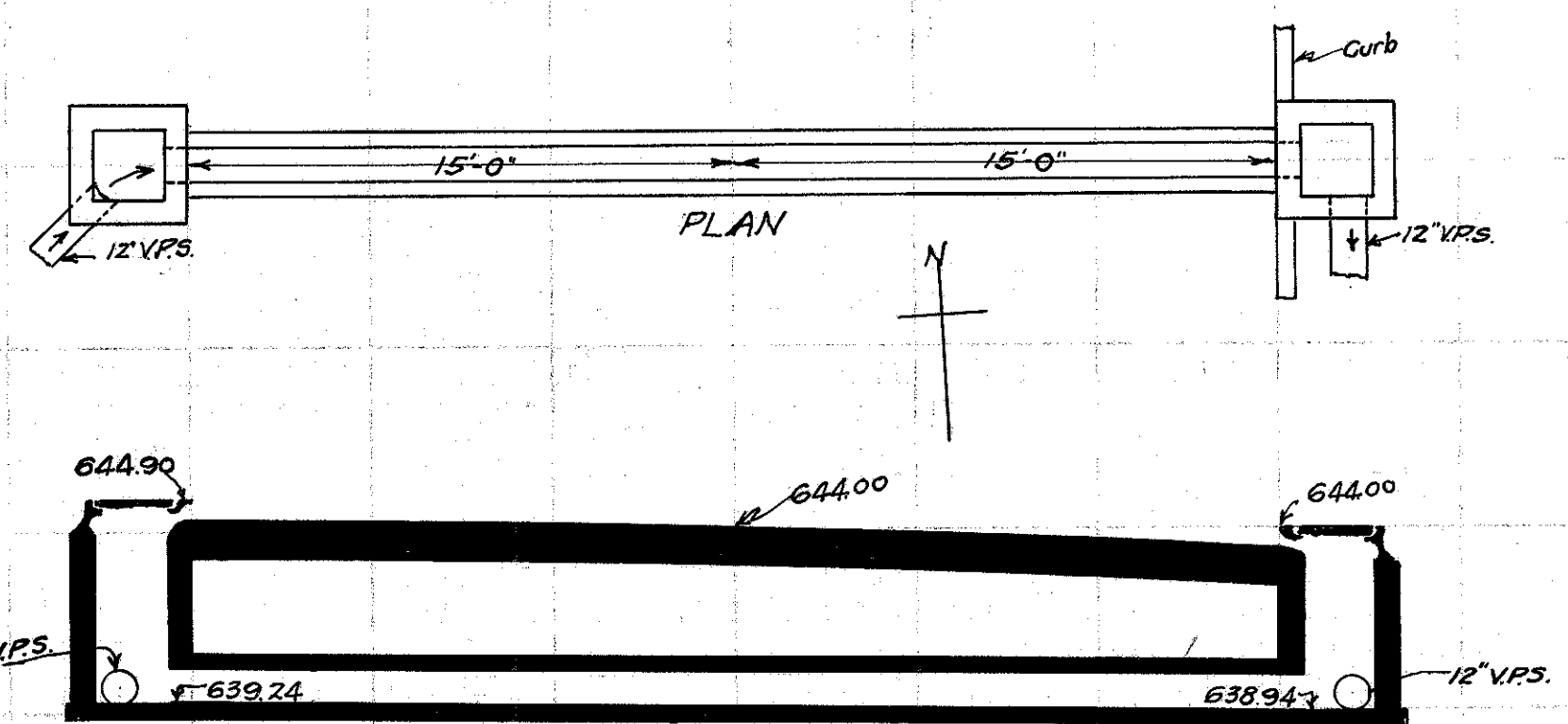
3



SECTION OF STD INLET BASIN



PLAN OF STANDARD INLET BASIN FRAME & COVER
 Weight complete 450 lbs.

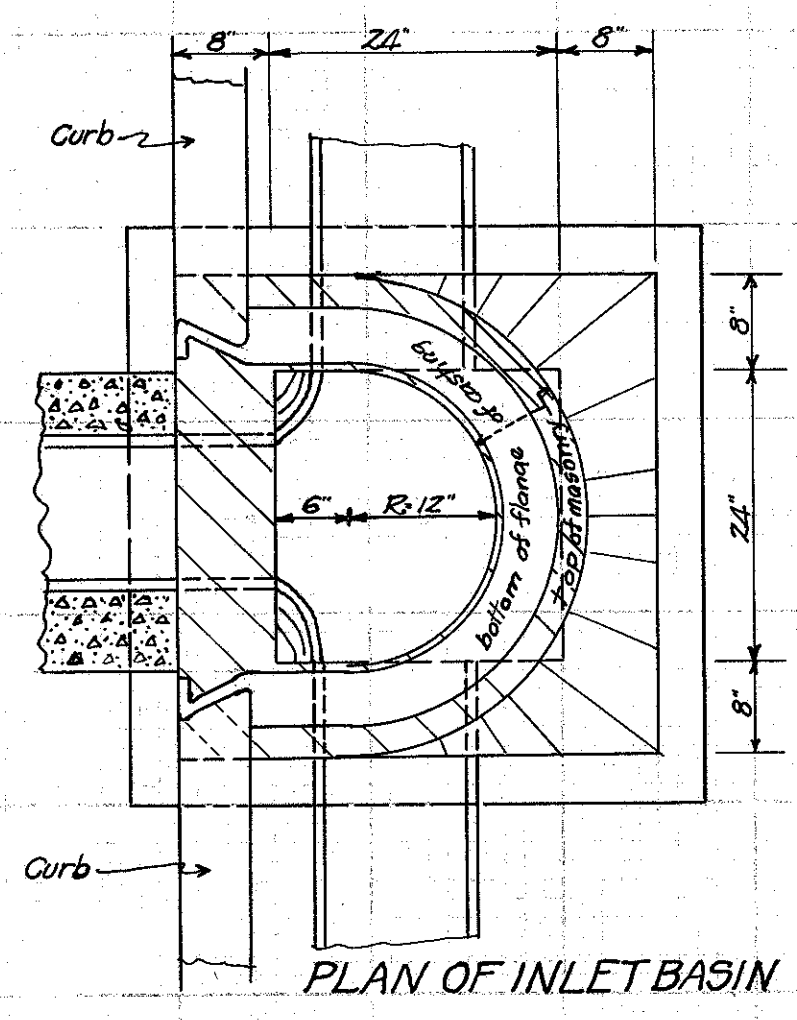


CULVERT DATA
 Type: Std. V.S.P. enc. culvert
 Size: 12" x 32'
 Work Req: Build 12' x 32' Std. V.S.P. enc. culvert. I.B. R+L.

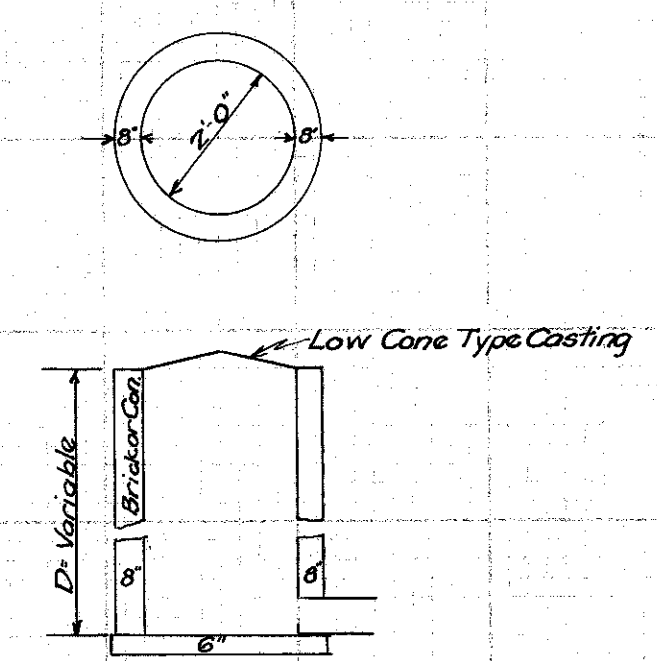
EST. QUANTITIES
 Exc. 9.6 cu. yds.
 12" V.P. 32 lin. ft.
 Con. 1-8 3.24 cu. yds.
 I.B.'s complete 2

Checked by: _____
 Date, _____
 Div'n. Engr. _____

2

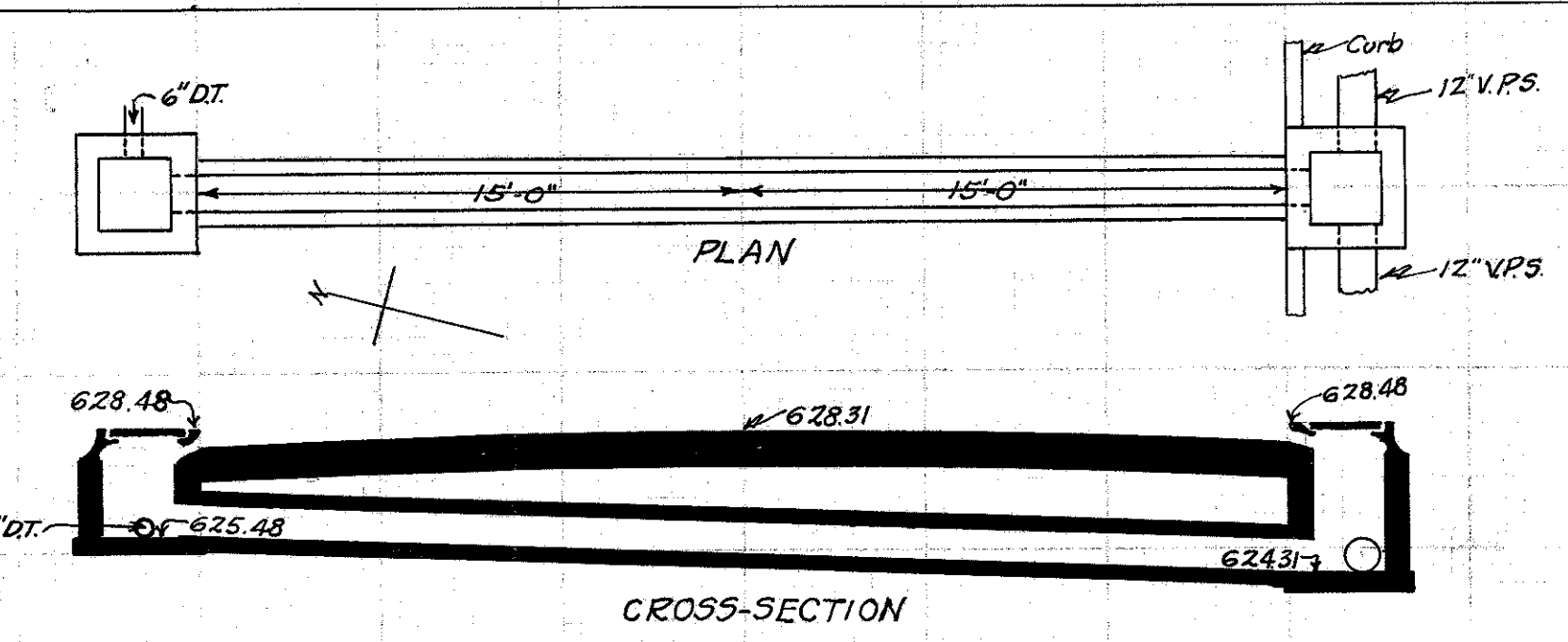


PLAN OF INLET BASIN



DETAIL OF "STATE STD. No. 1. BASIN

Drawn by: Plummer
 Date, 3/14/30

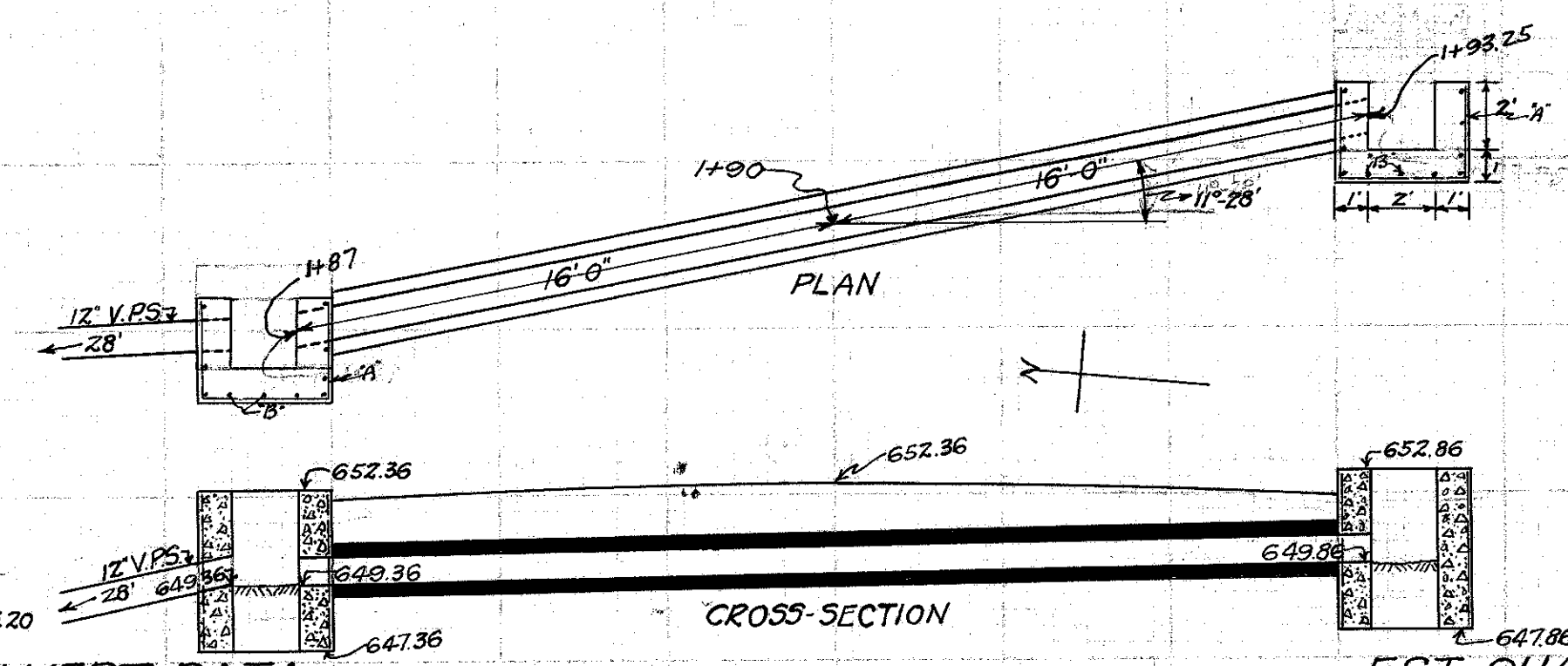


CULVERT DATA
 Type: Std. V.P. enc. culvert.
 Size: 12" x 32'
 Work Req: Build 12' x 32' std. V.P. enc. culvert.
 I.B. on R+L.

EST. QUANTITIES
 Exc. 6.0 cu. yds.
 12" V.P. 32 lin. ft.
 Con. 1-8 3.24 cu. yds.
 I.B.'s complete 2

Checked by: _____
 Date, _____
 Div'n. Engr. _____

1



CULVERT DATA
 Type: Std. V.S.P. enc. culvert.
 Size: 12" x 32'
 Work Req: Build 12' x 32' Std. V.P. enc. culvert
 U Headwall R+L. Lay 12x28" V.P.S. to existing basin on L.

EST. QUANTITIES
 Exc. 17.0 cu. yds.
 12" V.P. 60 lin. ft.
 Con. 1-8 3.24 cu. yds.
 Con. 1-5 1/2 3.0 cu. yds.
 Reinf. Steel 75 lbs.

Steel List
 20 # 1/2" x 8'-0" Bent
 20 # 1/2" x 8'-0" Bent

Checked by: _____
 Date, _____
 Div'n. Engr. _____

4

Drawn by: Plummer
 Date, 3/14/30

Sta. 2+50 Cleve. Buffalo Rd.

30 25 20 15 10 5 5 10 15 20 25 30

Sta. 1+90 (Old North Ridge Rd.)

30 25 20 15 10 5 5 10 15 20 25 30