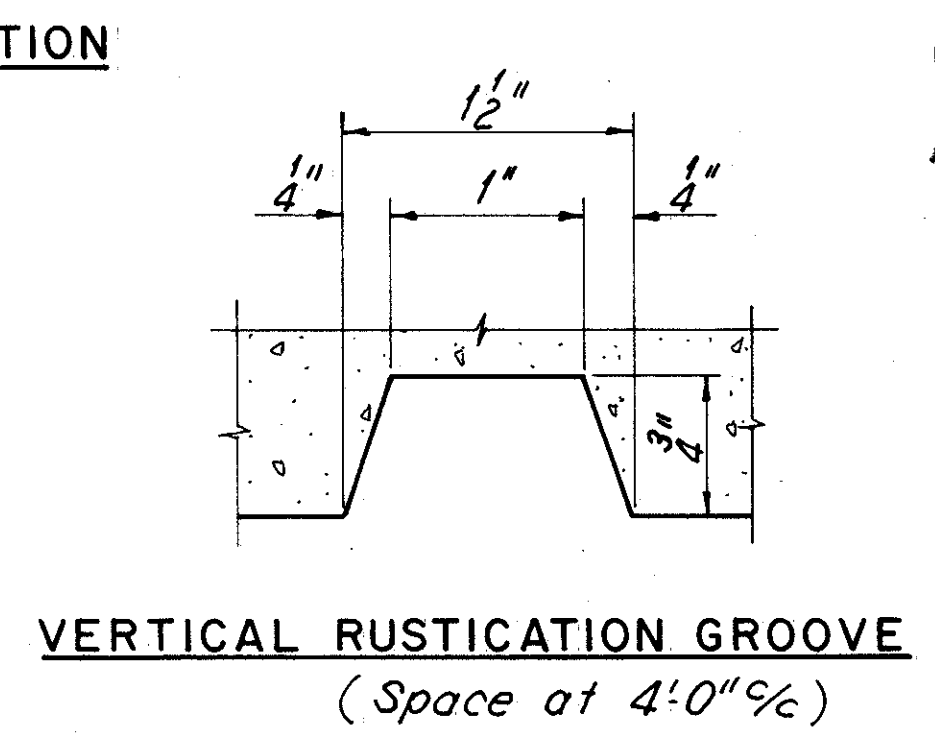
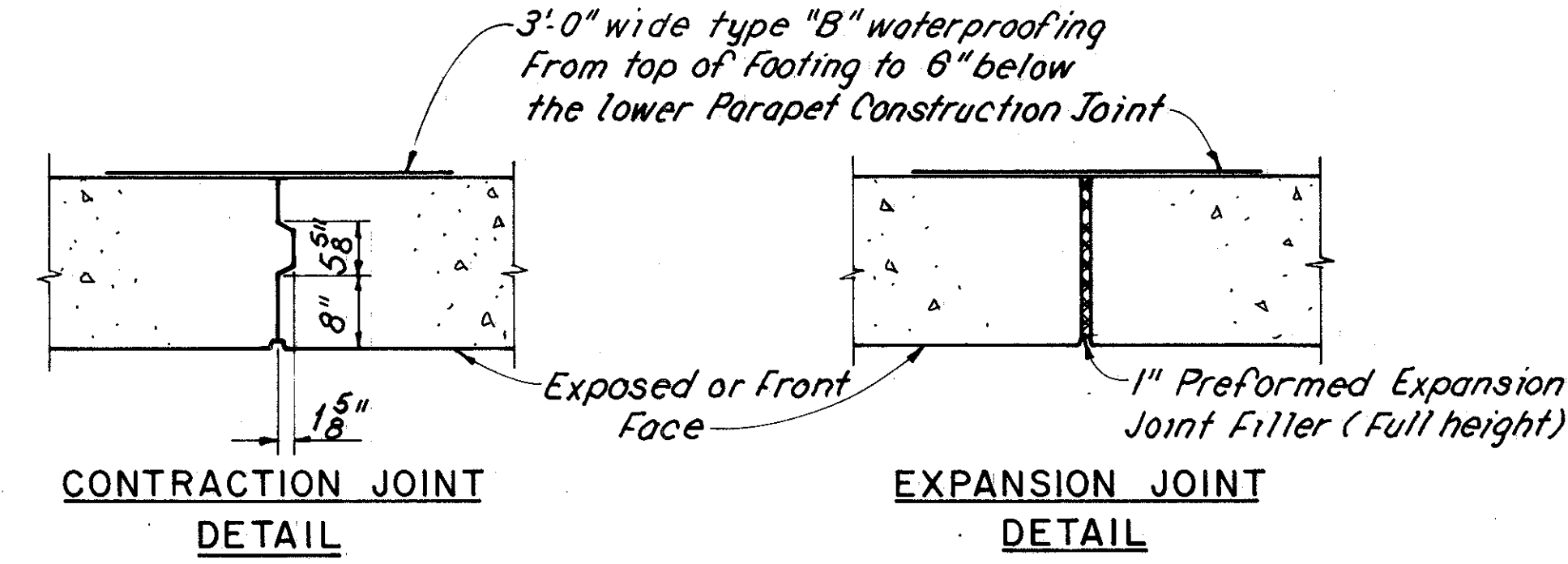
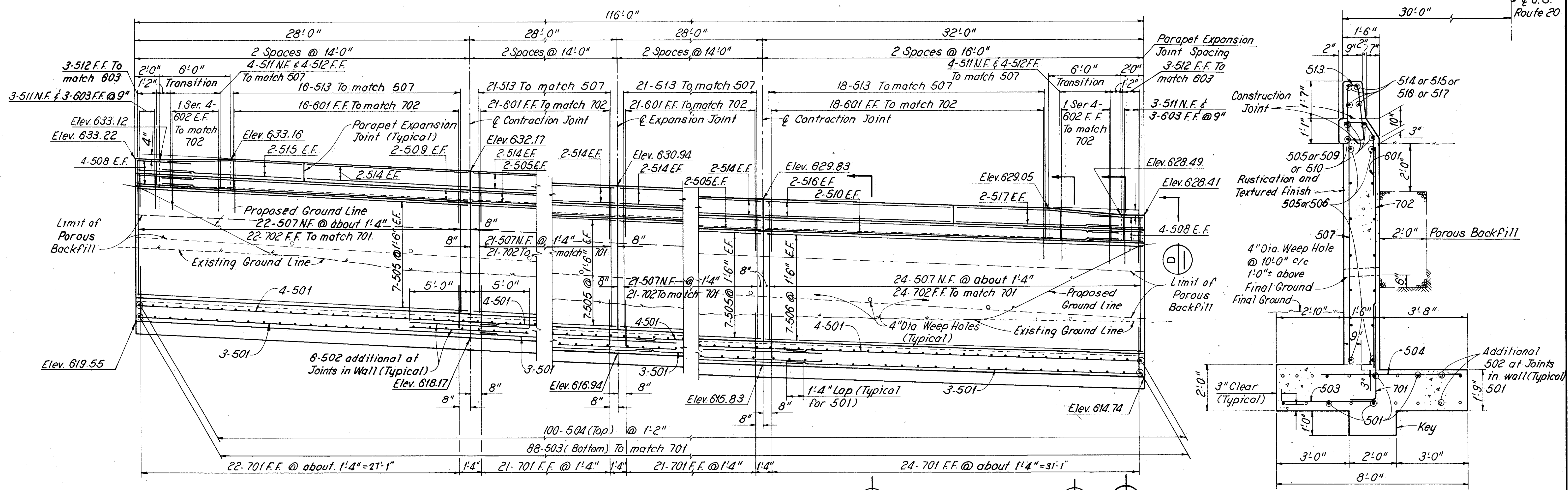
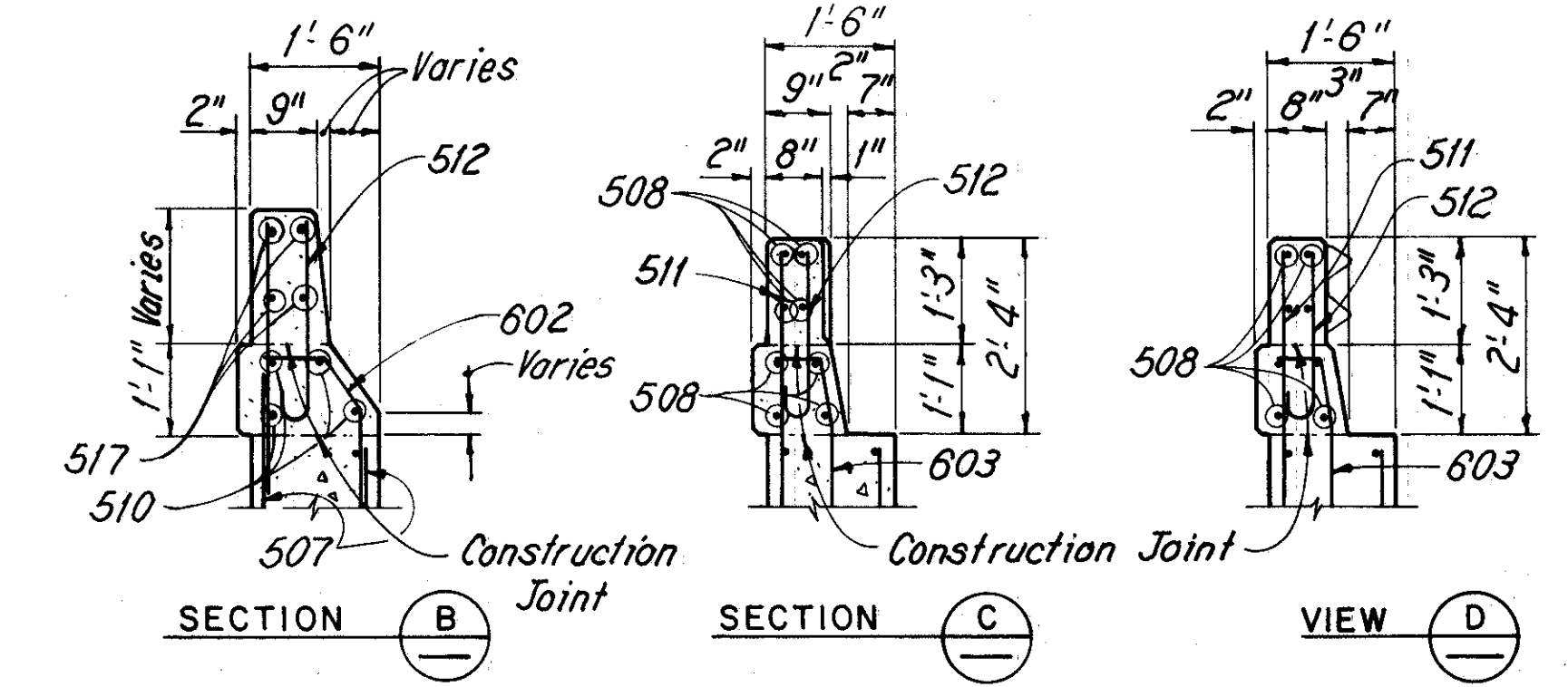
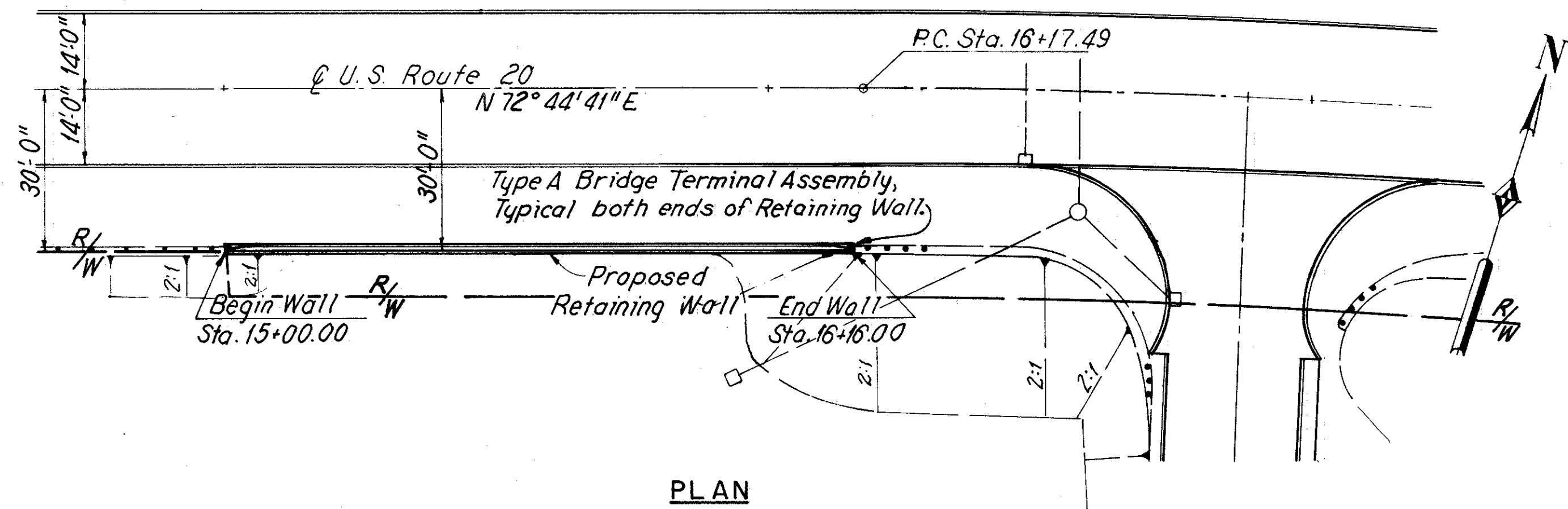


F.H.W.A. REGION	STATE	PROJECT
5	OHIO	

46
86

LAKE COUNTY
LAK-20-17.14

Notes:
All reinforcing bar marks shall be prefixed "RW".
For General Notes, Estimated Quantities and Reinforcement Schedule see sheet 2 | 2.



WOODRUFF, INC.
CONSULTING ENGINEERS
CLEVELAND, OHIO

**RETAINING WALL
AT STATION 15+00
U.S. ROUTE 20 OVER
THE GRAND RIVER**

LAKE COUNTY OHIO

MADE	TRACED	CHECKED	REVIEWED	REVISED
DATE 5-9-83	DATE 5-13-83	DATE 5-25-83	DATE	DATE

SHEET 1 | 2

U.S. 20 OVER GRAND RIVER