

SEEDING  
END  
WIDTH  
SQ.  
YDS.

CM  
6-92  
SJS  
6-92

LAKE COUNTY  
LAK-20-15.75

OHIO  
58  
80

END AREA  
OUT FILL

VOLUME  
CUT FILL

19

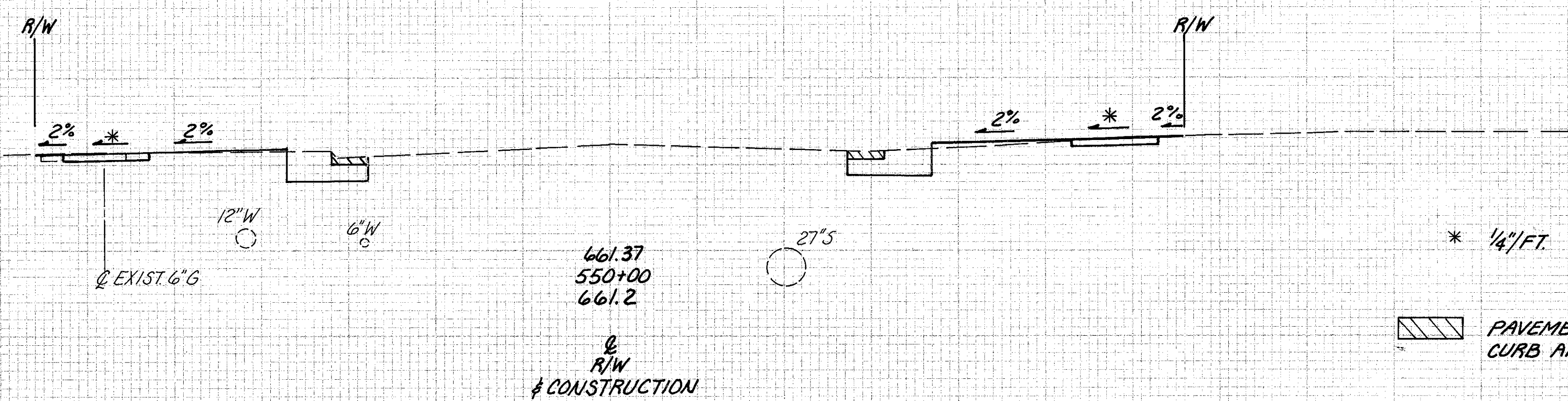
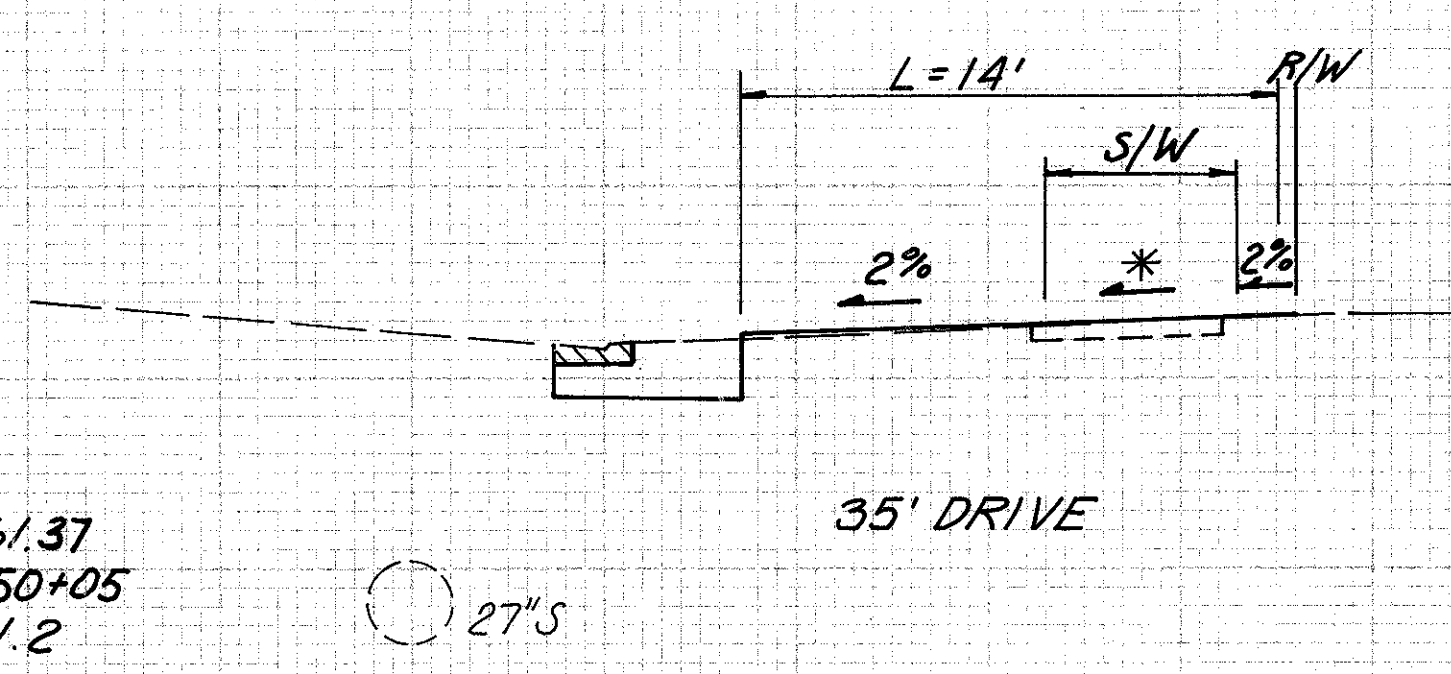
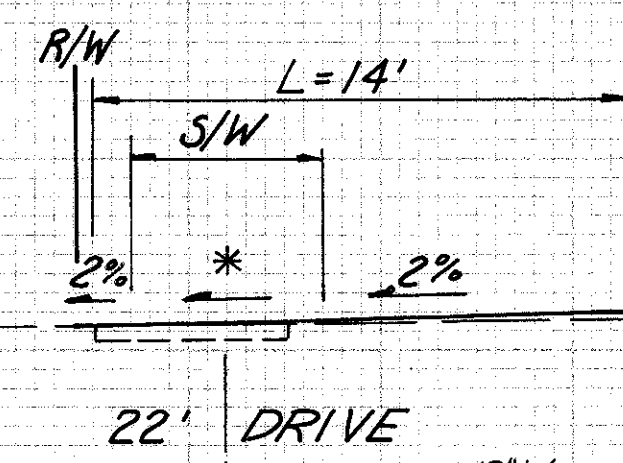
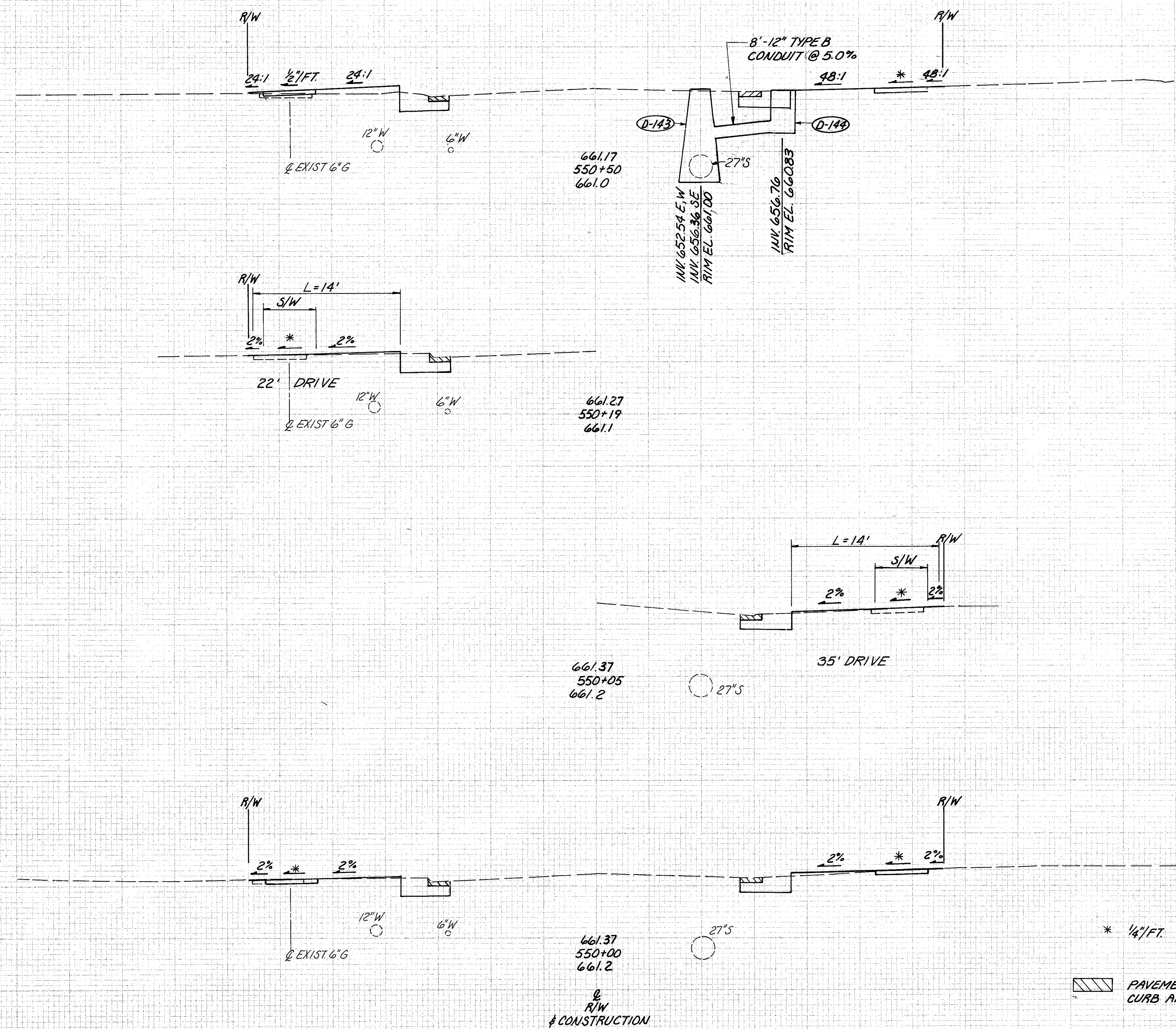
30

106

42

19

R/W  
CONSTRUCTION



PAVEMENT, CURB AND/OR  
CURB AND GUTTER REMOVED

R/W  
CONSTRUCTION

50

25

25

50

CROSS SECTIONS STA. 550+00 TO STA. 550+50

665

660

655

665

660

655

665

660

655

665

660

655

13

6

-2

24

13

-1

12

7