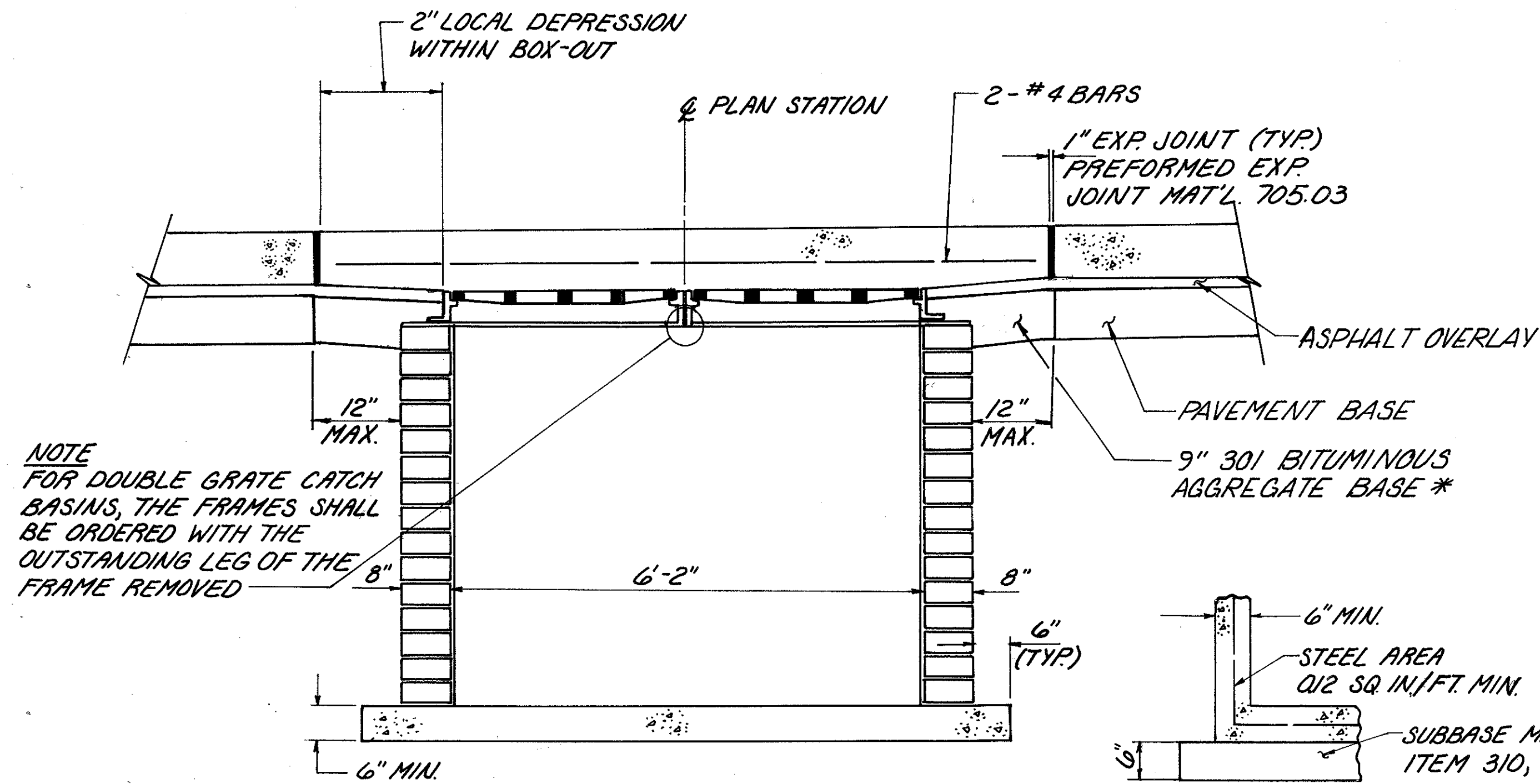
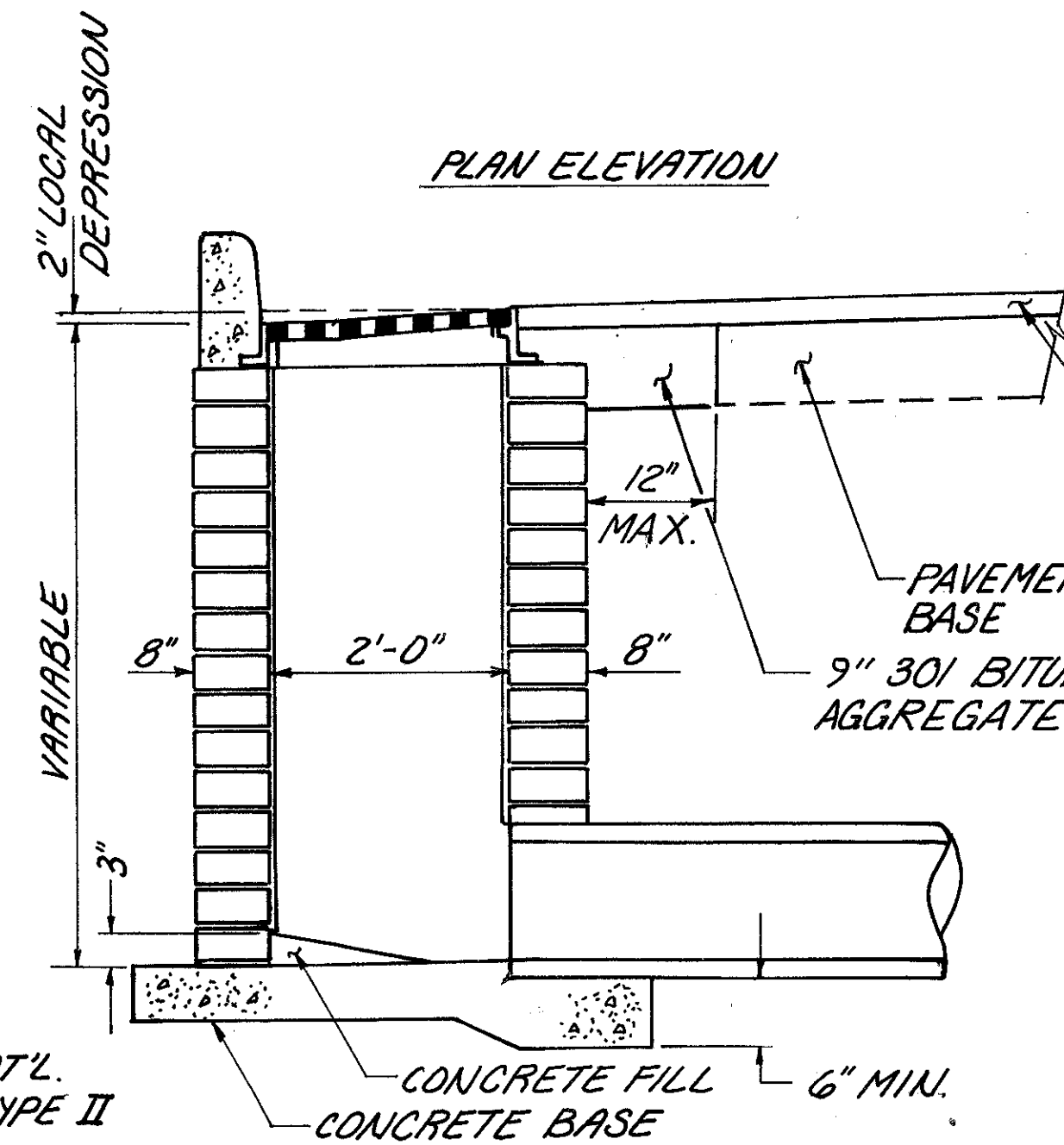


MISCELLANEOUS DETAILS

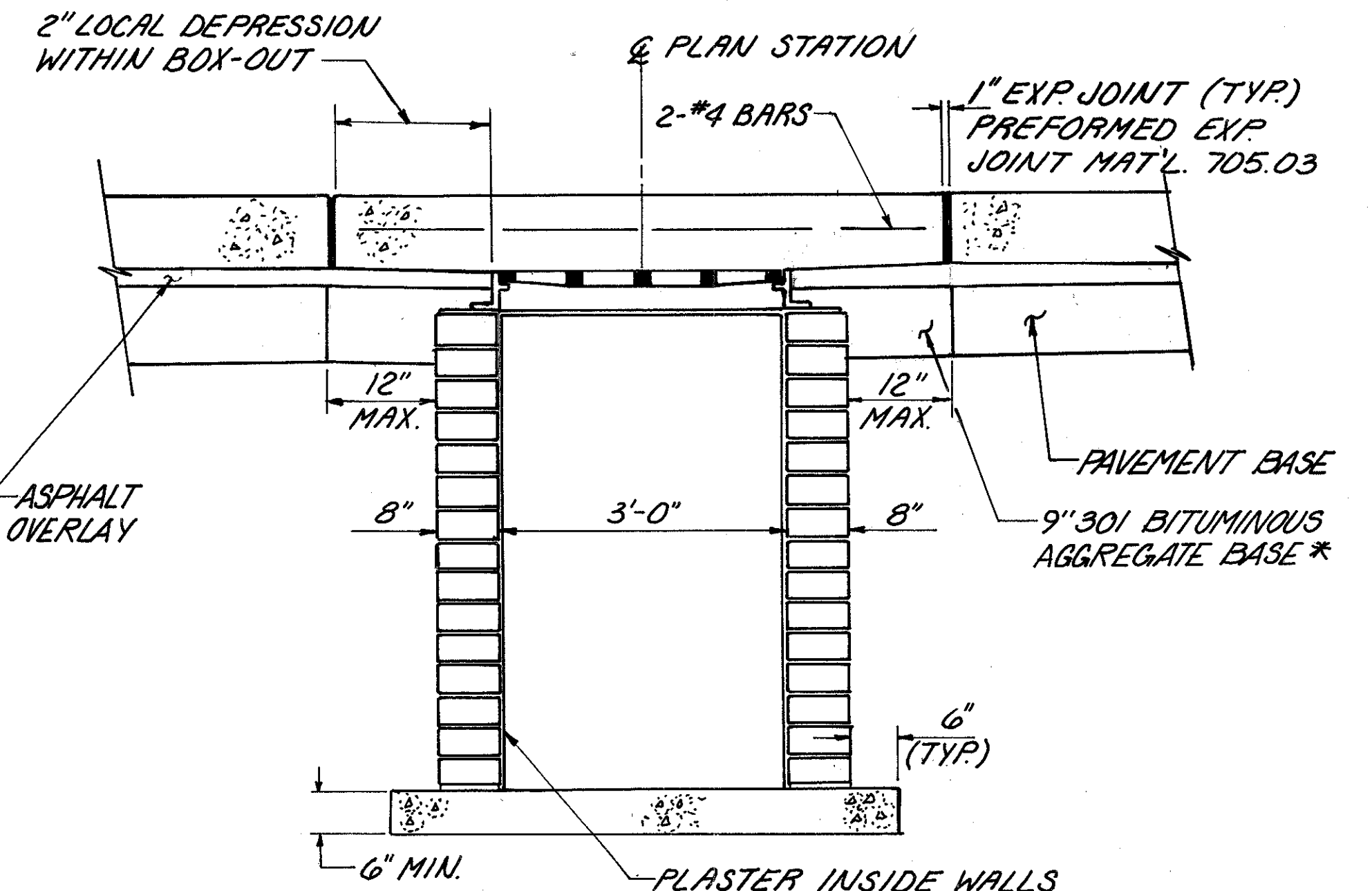
CALC BY	LAKE COUNTY	OHIO	(20A 80)
DATE	LAK-20-15.75	FHWA REGION 5	
CHKD BY			
DATE			



SECTION A-A
NOT TO SCALE



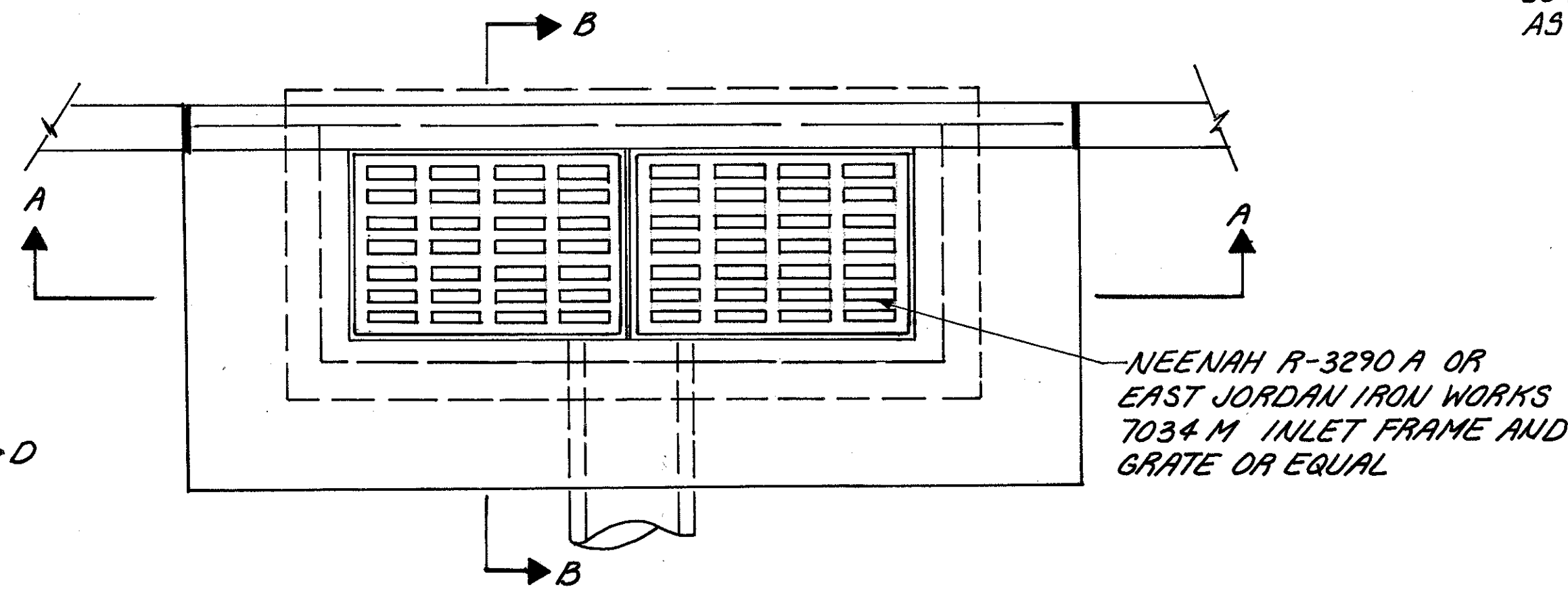
SECTION B-B
NOT TO SCALE



SECTION C-C
NOT TO SCALE

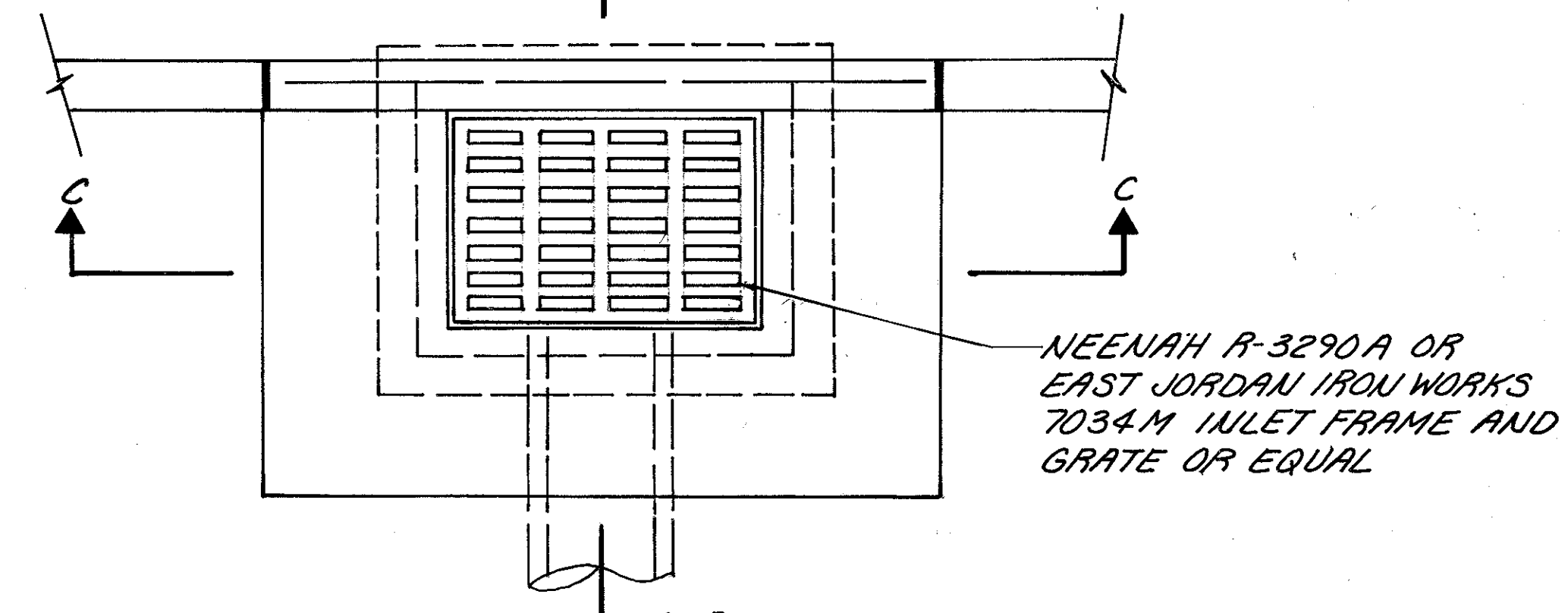
NO. 3 & NO. 3A, AS PER PLAN
PRECAST OPTION

* ALL COSTS ASSOCIATED WITH THE PLACEMENT OF THE 9" 301 BITUMINOUS AGGREGATE BASE SHALL BE INCLUDED IN THE UNIT PRICE BID FOR ITEM 604 CATCH BASIN NO. 3 OR NO. 3A, AS PER PLAN.



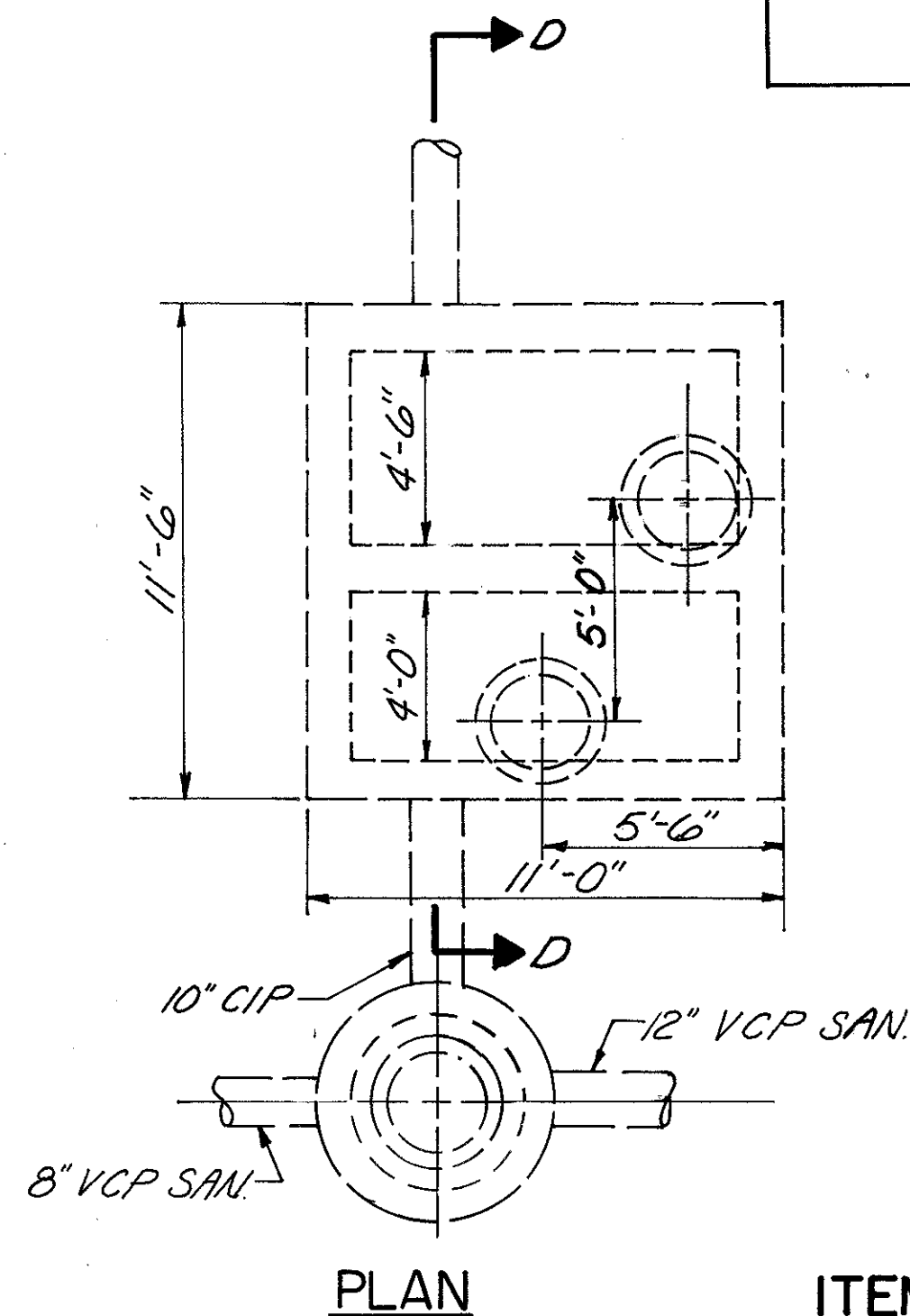
CATCH BASIN NO. 3, AS PER PLAN

NOT TO SCALE
ADJUST FRAME AND COVER TO GRADE AS PER 604.03. (METAL ADJUSTMENT RINGS OR CASTINGS ARE NOT ACCEPTABLE FOR THIS PROJECT.)

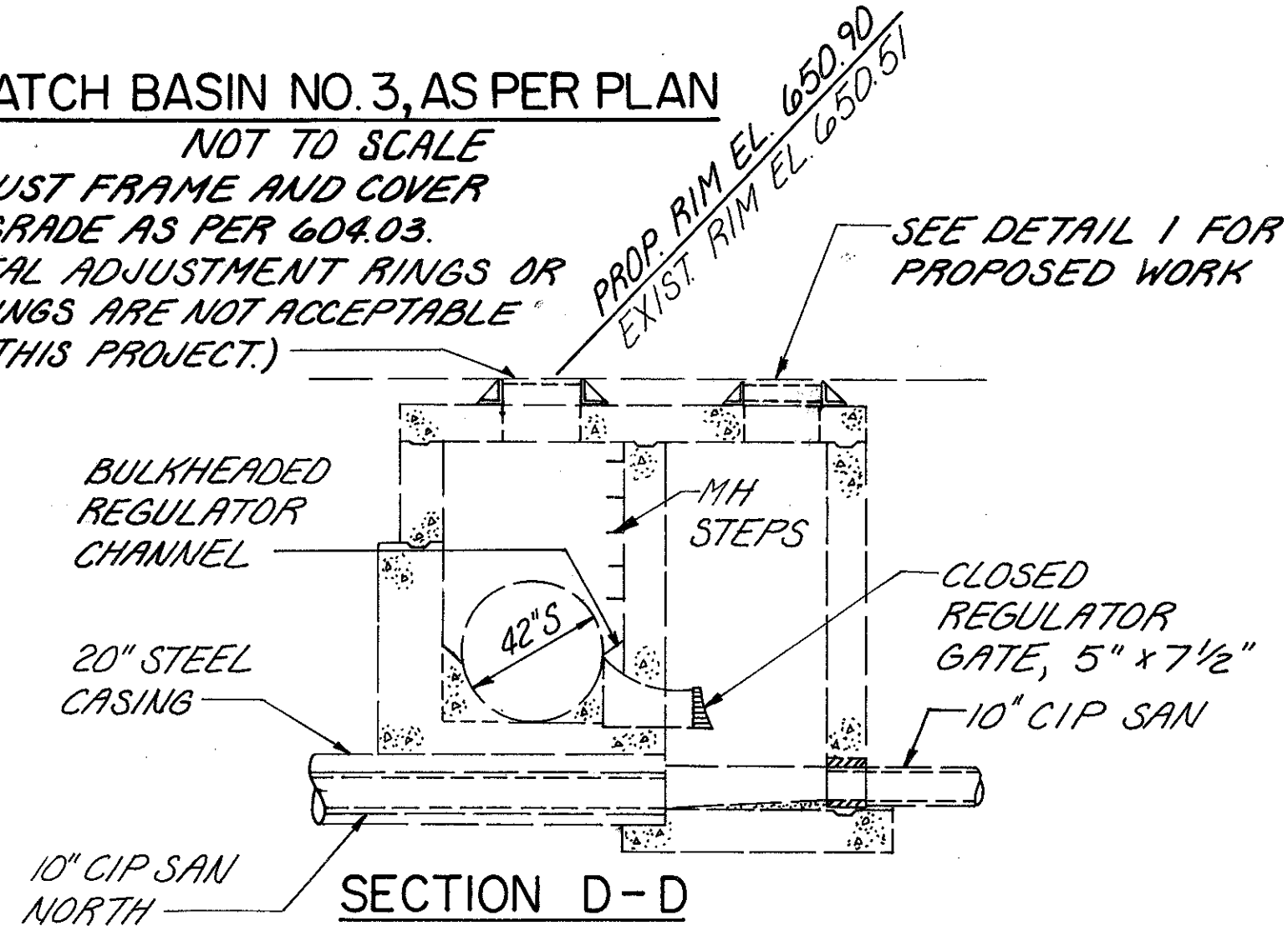


CATCH BASIN NO. 3A, AS PER PLAN

NOT TO SCALE

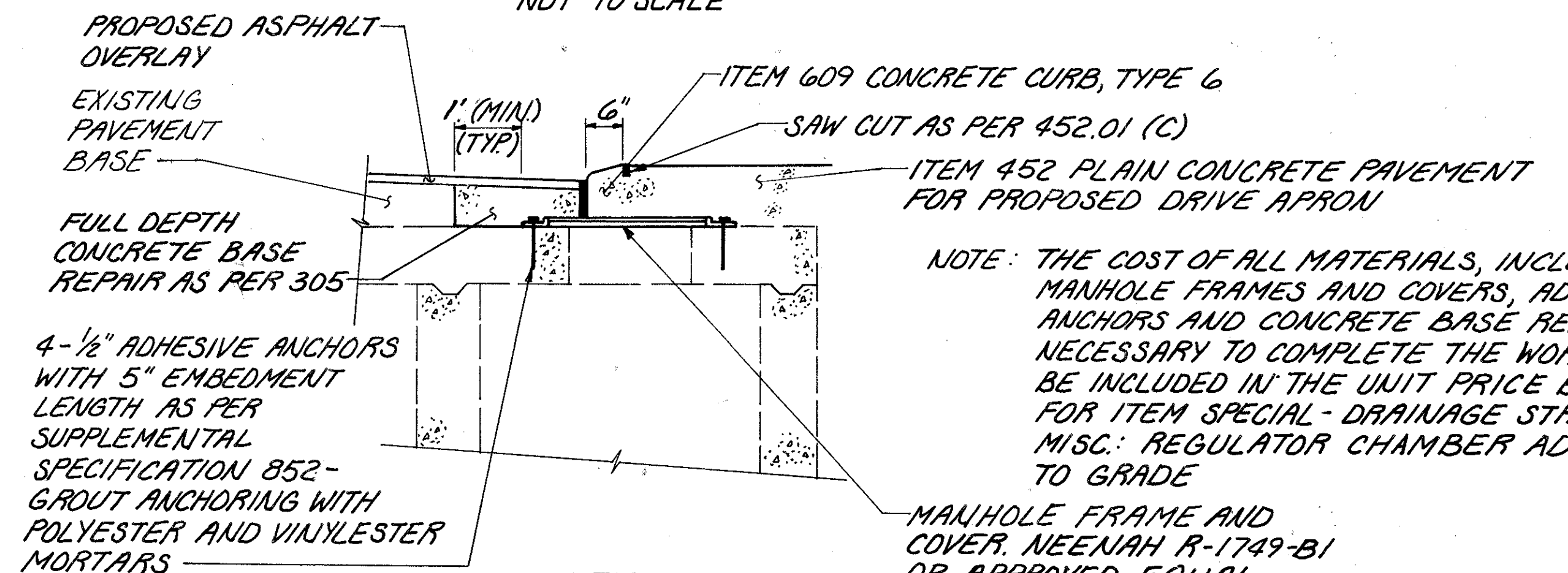


PLAN



SECTION D-D

ITEM SPECIAL - DRAINAGE STRUCTURE MISC.: REGULATOR CHAMBER ADJUSTED TO GRADE
NOT TO SCALE



DETAIL 1

NOTE: THE COST OF ALL MATERIALS, INCLUDING MANHOLE FRAMES AND COVERS, ADHESIVE ANCHORS AND CONCRETE BASE REPAIR NECESSARY TO COMPLETE THE WORK SHALL BE INCLUDED IN THE UNIT PRICE BID EACH FOR ITEM SPECIAL - DRAINAGE STRUCTURE MISC.: REGULATOR CHAMBER ADJUSTED TO GRADE
MANHOLE FRAME AND COVER, NEENAH R-1749-B1 OR APPROVED EQUAL