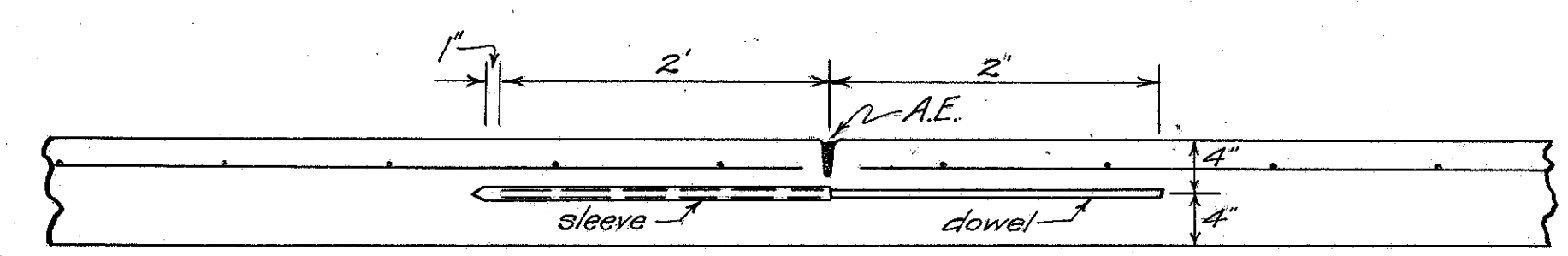
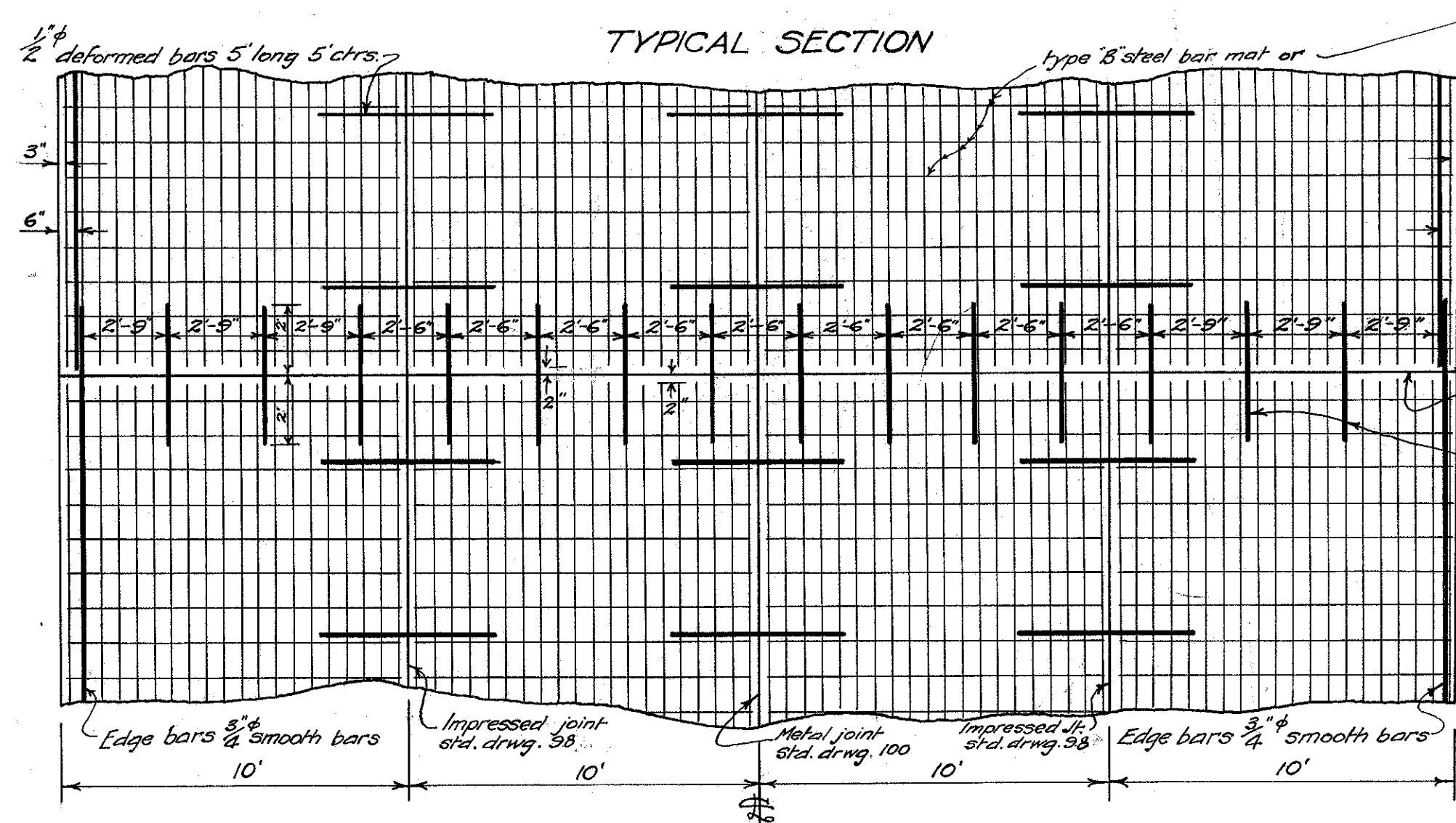
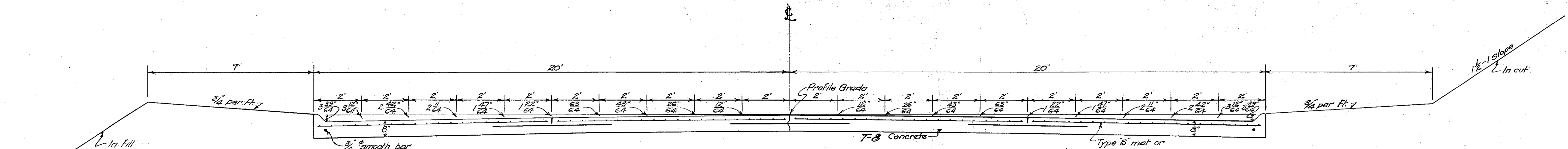
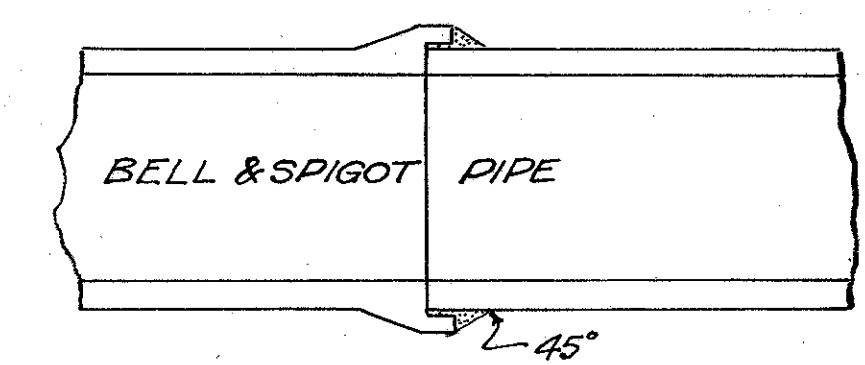
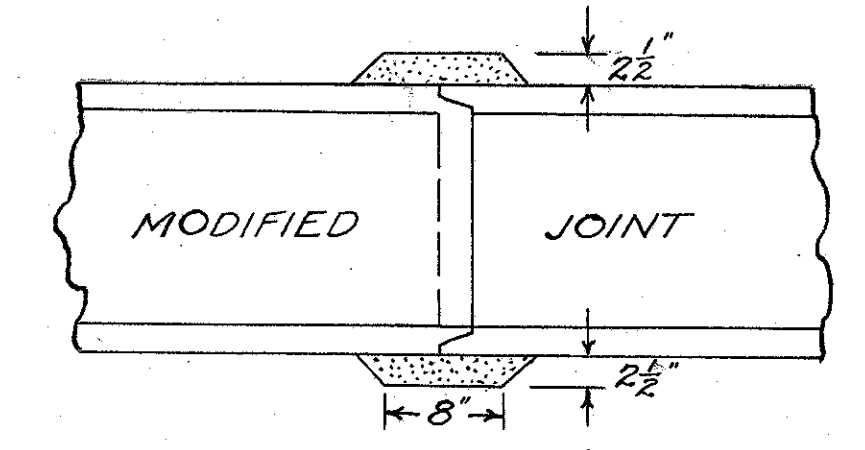


Type 'C' Concrete
to be used
From Sta. 6+68.60 to Sta. 7+25 Approach
Sta. 7+75 to Sta. 16+50.58

NOTE:
All suitable waste material to be used
in lieu of borrow. Borrow quantity to be
determined from final measurement.



DETAIL OF IMPRESSED CONTRACTION JOINT



Reinf. Conc. Pipe used as an
alternate for V.S. Encased
shall be cemented as shown
in the accompanying sketch.
When V.S.P. is not encased
Reinf. Conc. Pipe will not be cemented

PLAN SHOWING JOINTS & STEEL

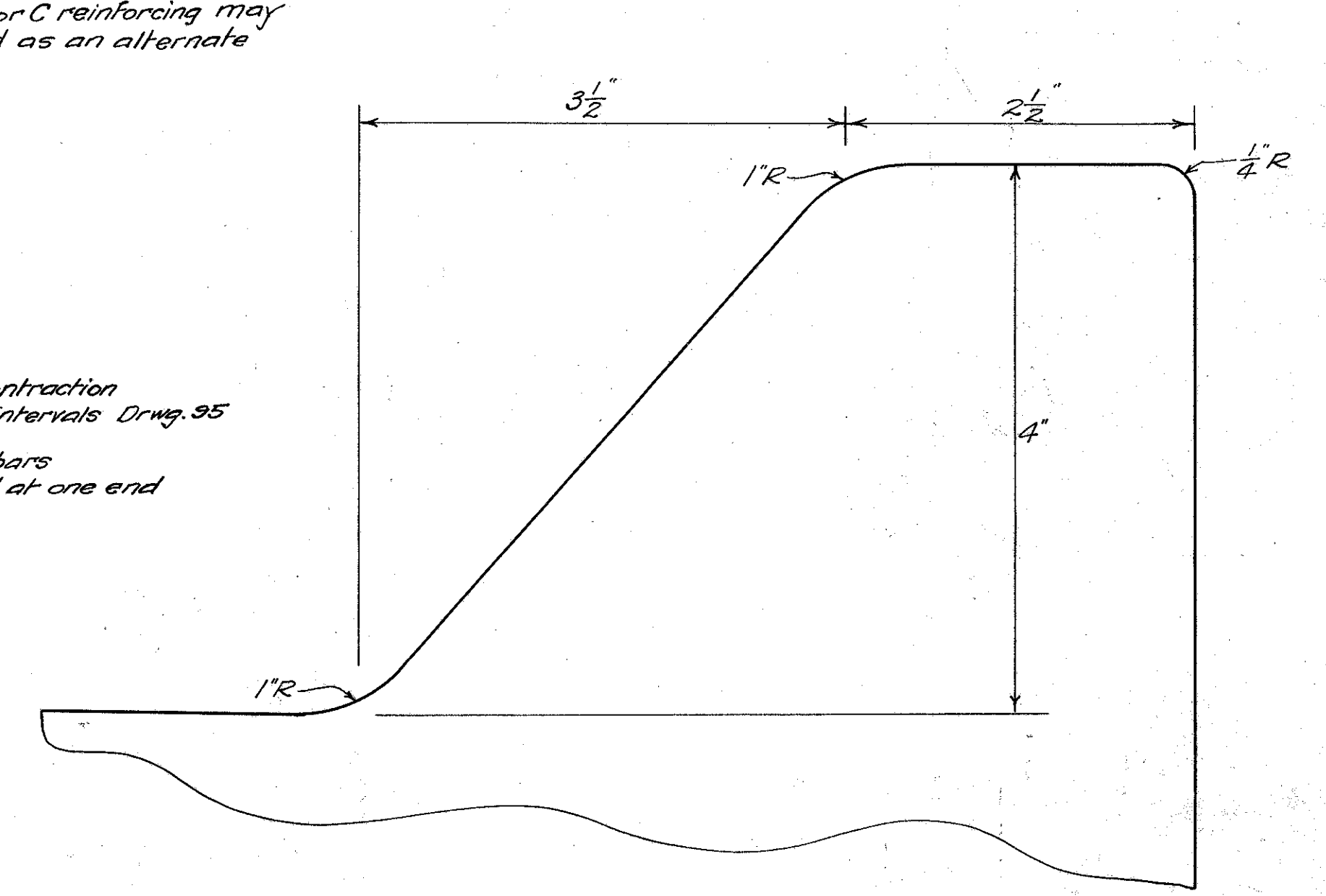
All dowel and edge bars shall be supported by means of chairs of an approved type.
All dowel and edge bars to be 3/4" smooth bars with neat fitting sliding sleeves at one end.
All joints to be edged with a beading tool of 1/4" radius.
Contractor to provide for and maintain traffic at all times over existing roadbed or portions
of newly constructed pavement.
Contractor to erect and maintain lights, signs and barricades and to provide an ample number
of watchmen at all times
The Contractor shall maintain two way traffic on this project at all times and protect
his work and traffic at all times with at least two watchmen.

The aggregates to be used on this project shall come from a plant erected at the site
of the material deposits from which the bidder proposes to furnish this material and
producing aggregates prior to the date of receiving bids on this contract and such plant
shall be equipped and the deposit be of such nature that the aggregates can be fur-
nished in a satisfactory manner both as to quality and quantity.
Curve to be super-elevated as shown in tables on plan sheets.

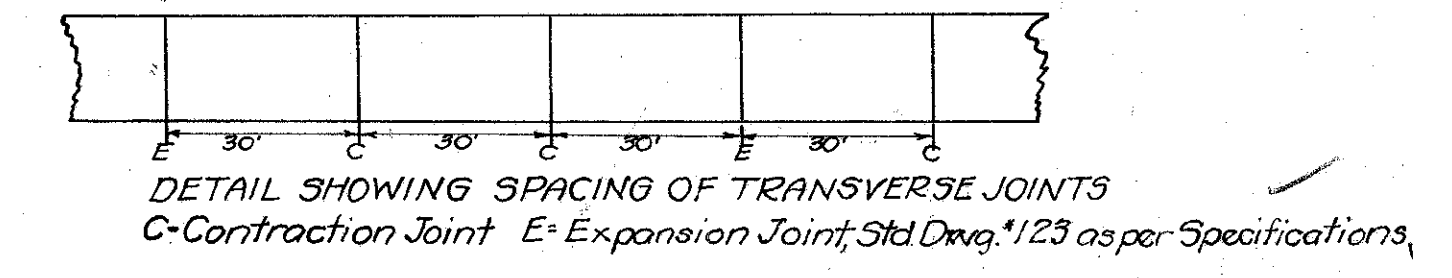
Note: Place 500 lin. ft. 6" Drain Tile 30" deep - Cinder backfill at direction of Engineer. ✓
Sec. M-6.6

Where feasible, the metal center joint may be removed at option of the contractor
after joint has been formed. SPECIAL ATTENTION
All construction shall be performed and material furnished as provided under the respective
items of the construction and material specifications revisions as of June 25, 1932 and
further amended and adopted under date of Aug. 1, 1932

O.C.
7/1/32



DETAIL OF INTEGRAL CONCRETE RAISED CURB
Drop Curb 2 1/2 inches at drives



DETAIL SHOWING SPACING OF TRANSVERSE JOINTS
C- Contraction Joint E- Expansion Joint, Std. Drwg. 1123 as per Specifications