

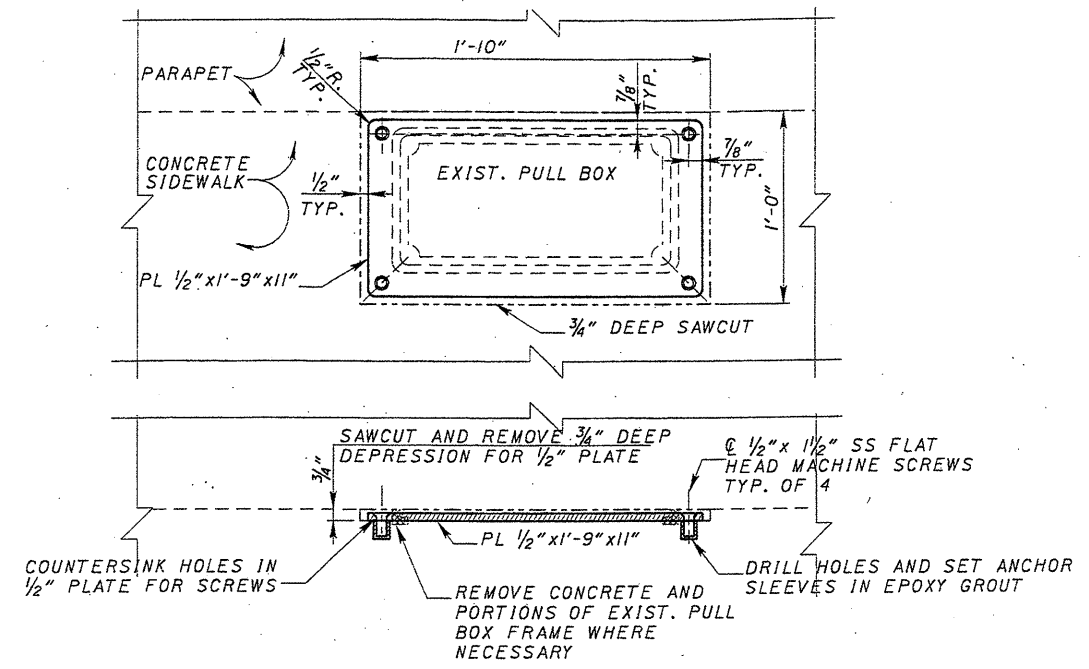
DATE	3-1-00
REVIEWED	DWL
STRUCTURE FILE NUMBER	4302702
DRAWN	DCF
DESIGNED	DCF
CHECKED	WAR

STRUCTURE DETAILS
 BRIDGE NO. LAK-44-0510
 JACKSON STREET OVER STATE ROUTE 44

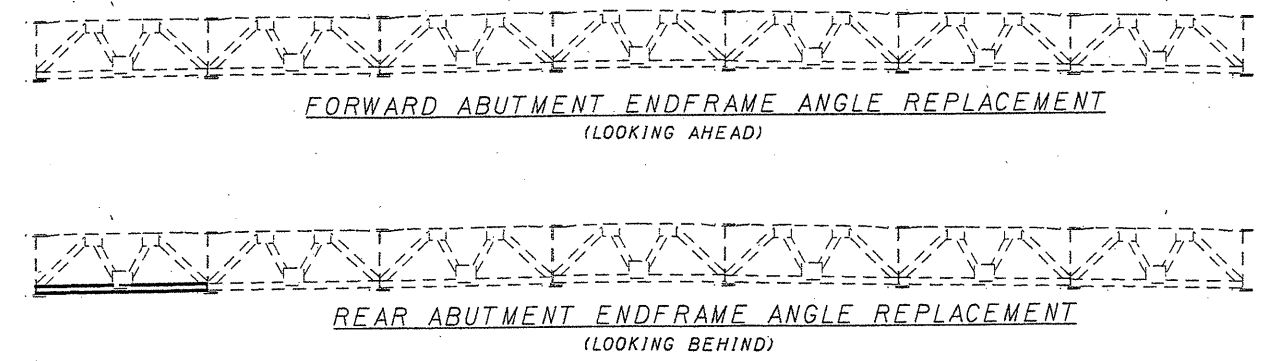
LAK-20-14.34
 LAK-44-5.10

4 / 4

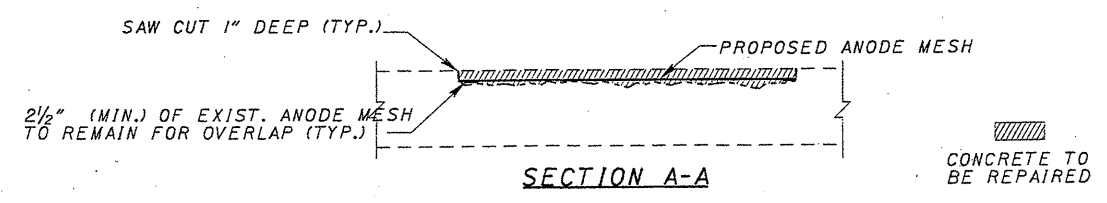
25
 25



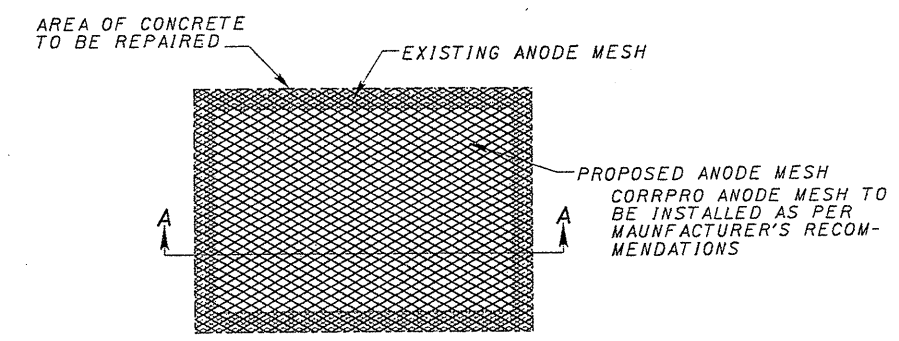
REPLACEMENT COVER PLATE DETAIL



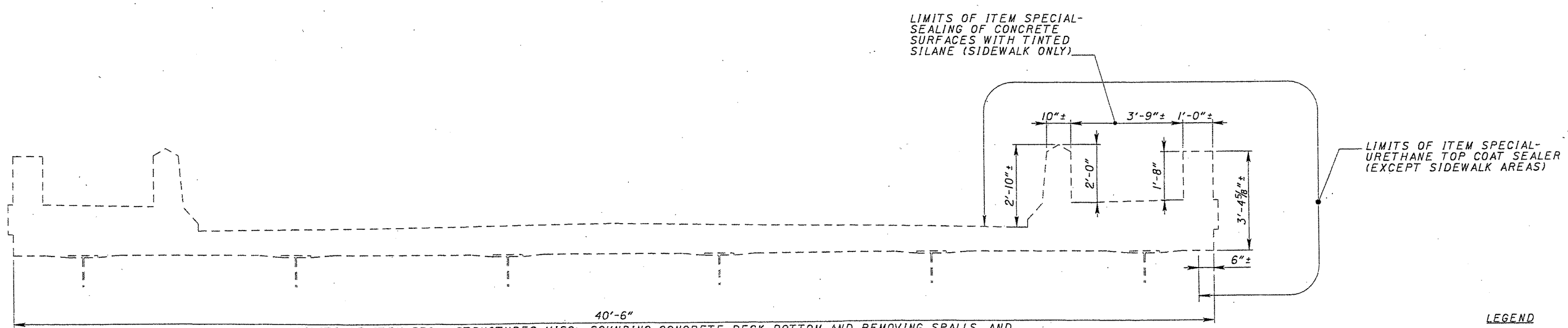
FOR DETAILS OF END FRAME ANGLE REPLACEMENT SEE LAK-20-1434 SUPERSTRUCTURE DETAILS, SHEET 15/25.



SECTION A-A



DECK PATCHING DETAIL



TRANSVERSE SECTION

- LEGEND**
- EXIST. - EXISTING
 - MIN. - MINIMUM
 - PL - PLATE
 - R. - RADIUS
 - SS - STAINLESS STEEL
 - TYP. - TYPICAL