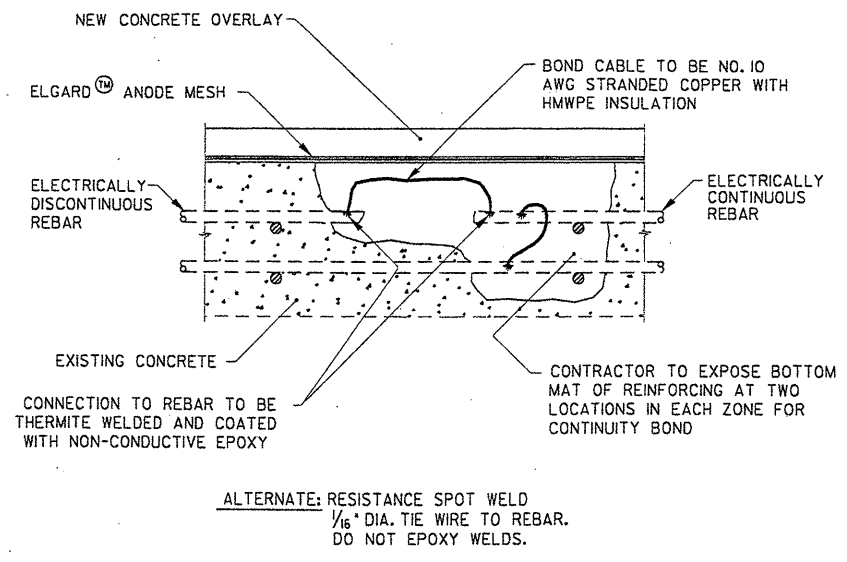
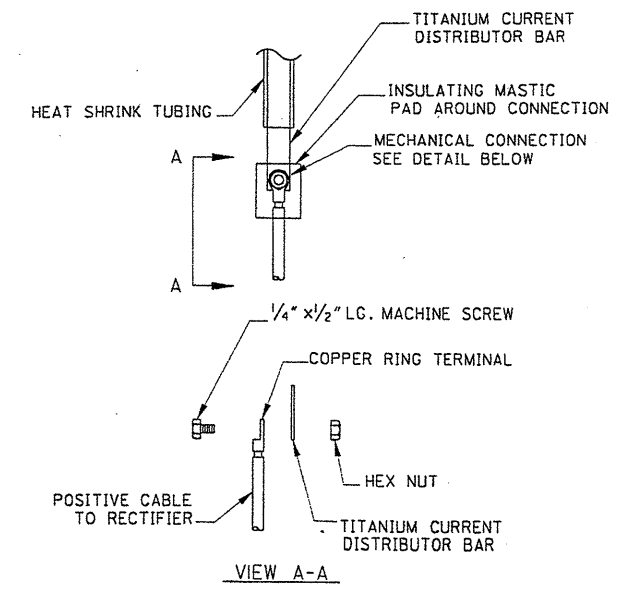


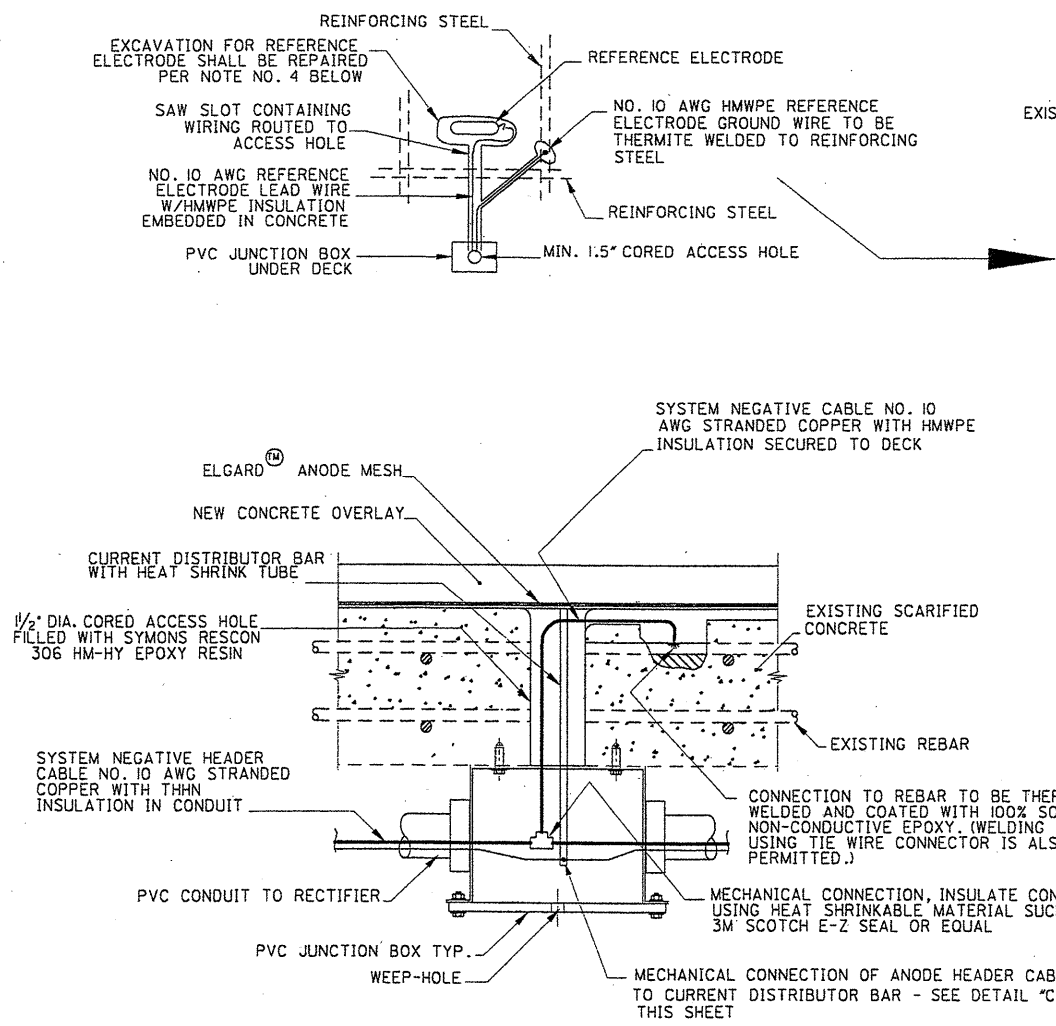
**A** ELGARD ANODE MESH INSTALLATION



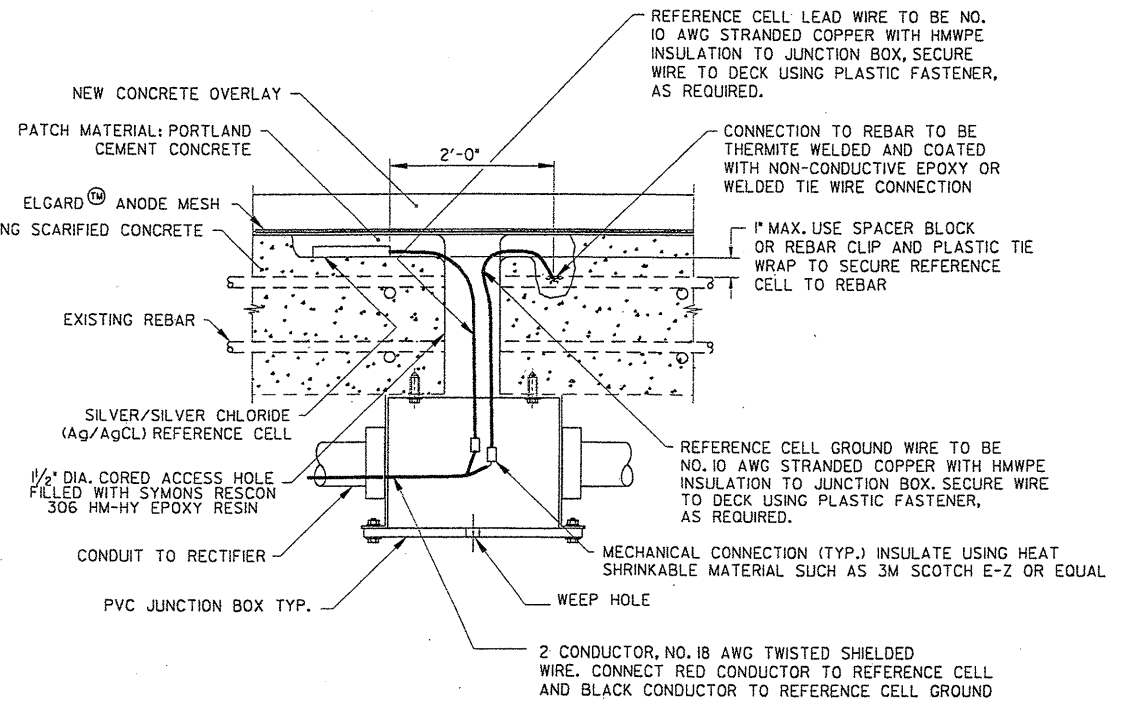
**B** CONTINUITY BOND DETAIL



**C** ANODE SPLICE DETAIL INSIDE JUNCTION BOX



**D** ANODE & STRUCTURE NEGATIVE HEADER CABLE CONNECTION

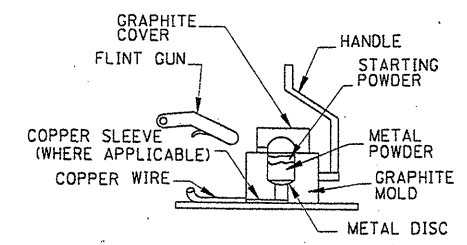


**E** REFERENCE ELECTRODE INSTALLATION DETAIL

**REFERENCE ELECTRODE INSTALLATION NOTES**

1. INSTALL REFERENCE ELECTRODE AT APPROXIMATE LOCATIONS INDICATED ON DRAWINGS. LOCATE CELLS IN ANODIC (HIGH HALF CELL POTENTIAL) LOCATIONS PER ASTM C-876.
2. LOCATE REFERENCE CELL IN CONCRETE CUT-OUT. DO NOT EXPOSE REINFORCING STEEL.
3. THERMITE WELD A GROUND CONNECTION NEAR CORRESPONDING REFERENCE ELECTRODE. COAT THE CONNECTION WITH A NON-CONDUCTIVE 100% SOLIDS EPOXY.
4. PATCH WITH A PORTLAND CEMENT CONCRETE MIX PRIOR TO ANODE INSTALLATION.
5. DO NOT REMOVE PLASTIC SHIPPING BAG UNTIL READY TO ENCASE IN CONCRETE. SOAK REFERENCE CELL IN WATER FOR 5 MINUTES PRIOR TO INSTALLATION.
6. REFERENCE ELECTRODE TO BE INSTALLED AT DEPTH OF REBAR.

1. REMOVE COATING, FILE SURFACE TO BRIGHT METAL AND DRY.
2. STRIP INSULATION FROM WIRE, (WHERE APPLICABLE SLIP ON COPPER SLEEVE AND CRIMP). PLACE WIRE AGAINST PREPARED METAL SURFACE.
3. PLACE PREPARED WELDER OVER WIRE AND HOLD FIRMLY WHILE MAKING CONNECTION. APPLY SPARK TO OPENING ON TOP-SIDE OF WELDER.
4. AFTER WELD COOLS, REMOVE SLAG WITH HAMMER.
5. COAT CONNECTION WITH BITUMINOUS COMPOUND. APPLY PLASTIC WELD CAP.



**F** THERMITE WELD DETAIL

**STEPS FOR PREPARING WELDER**

1. PLACE METAL DISC IN BOTTOM OF GRAPHITE MOLD.
2. OPEN CARTRIDGE AND DUMP CHARGE IN MOLD.
3. SQUEEZE BASE OF CARTRIDGE AND REMOVE STARTING POWDER.
4. CLOSE COVER AND PLACE WELDER OVER WIRE.

No.	DATE	BY	REVISION
1	3-8-00	DCF	CONVERT TO DGN, & LINE WT, BRIDGE NO, ARROW HDS
2	3-28-00	DCF	RESIZED TEXT AND SHIFTED DETAILS TO ACCOMMODATE TEXT

BURGESS & NIPLE, LIMITED  
100 WEST ERIE STREET  
PAINESVILLE, OHIO 44077

CATHODIC PROTECTION  
INSTALLATION DETAILS  
FOR  
BRIDGE NO. LAK-20-1434  
US ROUTE 20 OVER STATE ROUTE 44

DESIGNED BY	SDS
CHECKED BY	SDS
DRAWN BY	LJH
DATE	02-25-00
SCALE	NONE
SHEET	8 OF 12
DESK. NO.	MEDINA-2

CLEVELAND • ATLANTA • CHICAGO  
HOUSTON • NEW ORLEANS • OKLAHOMA CITY  
PHILADELPHIA • SAN FRANCISCO

CORPRO COMPANIES, INC.

