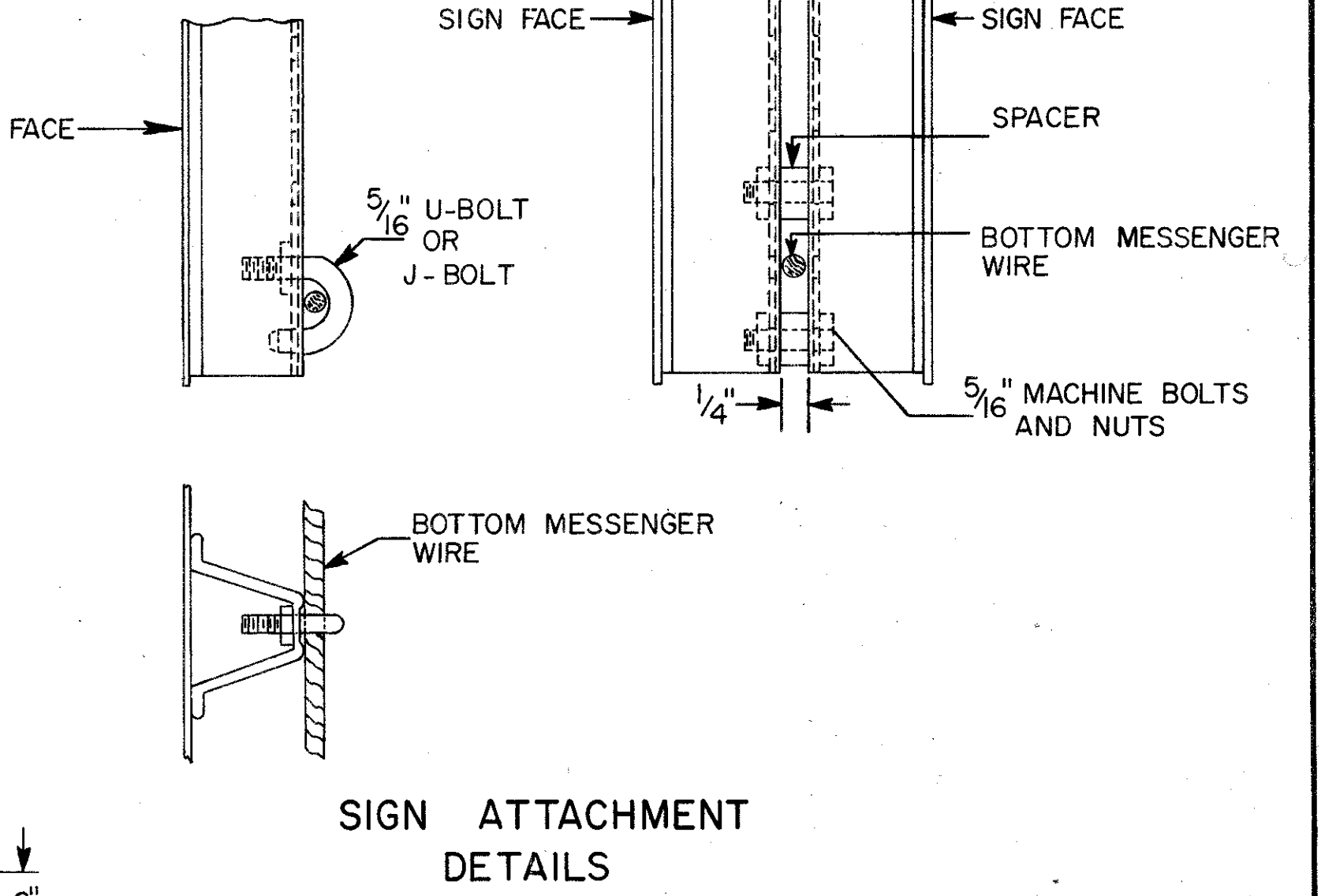
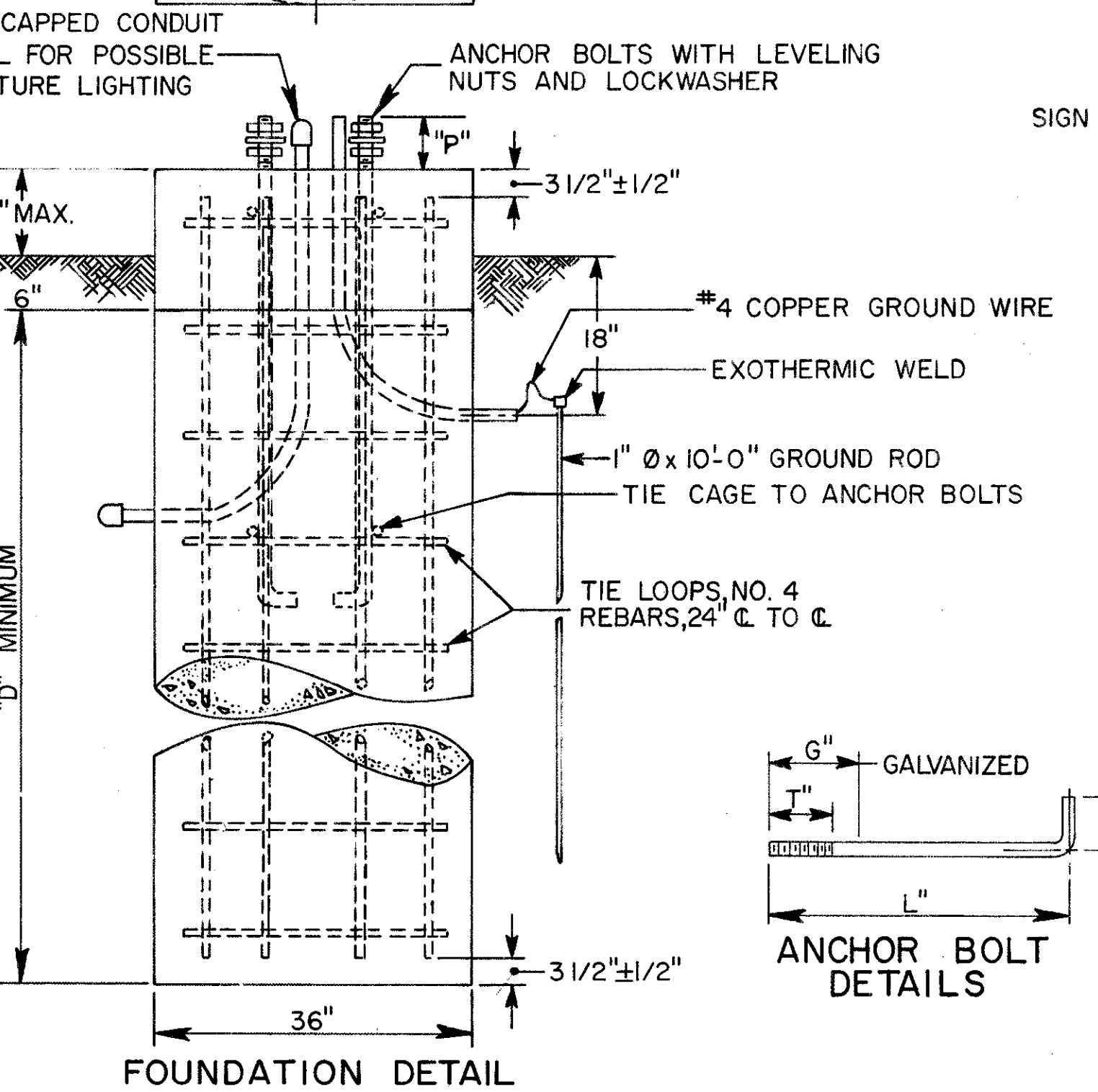
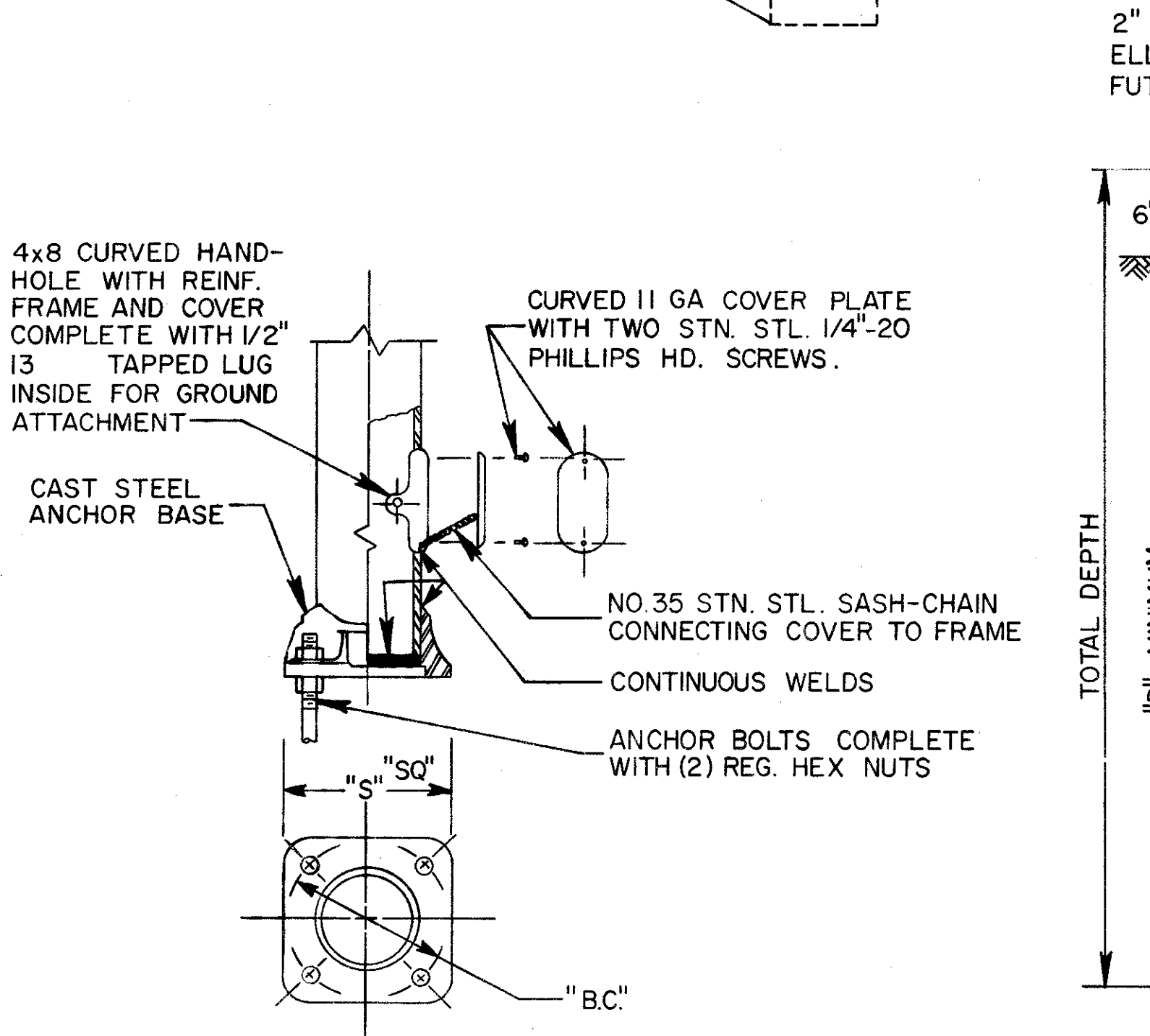
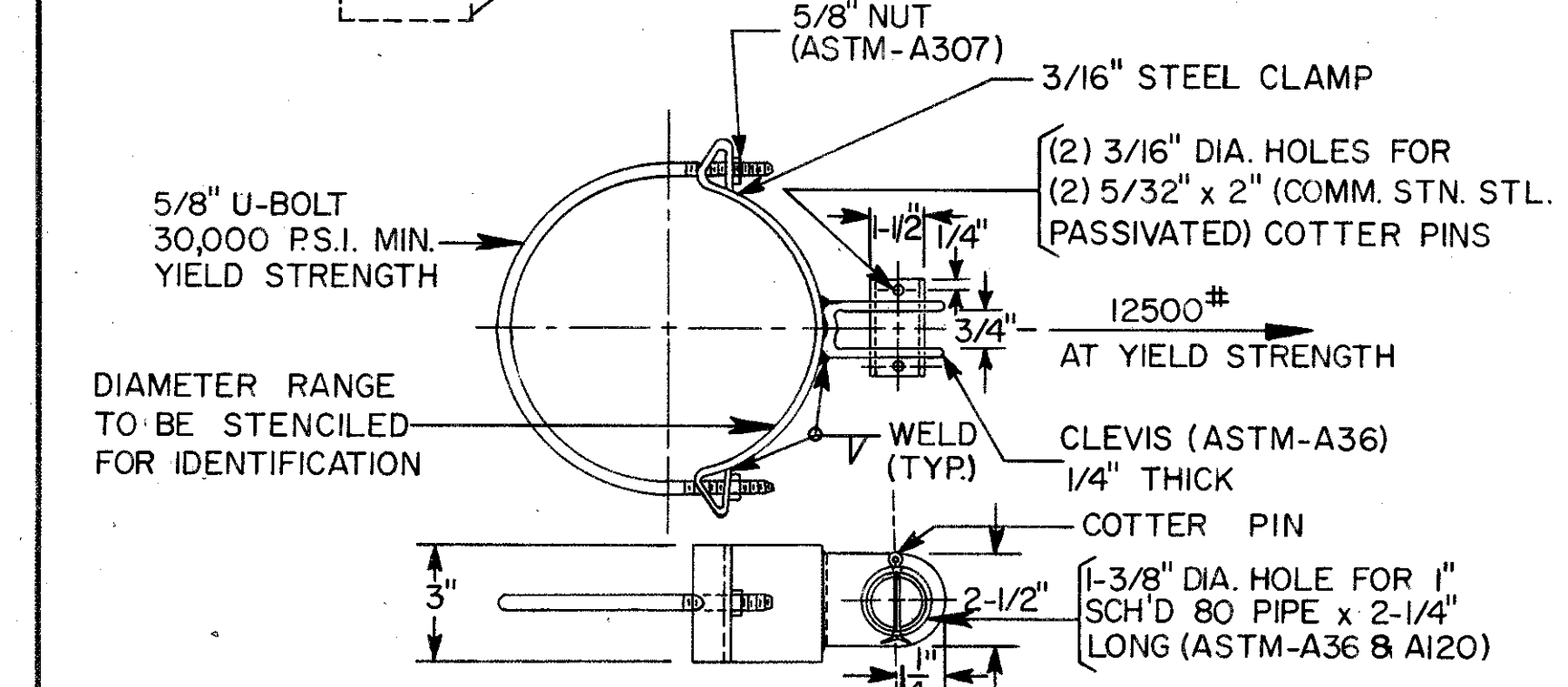
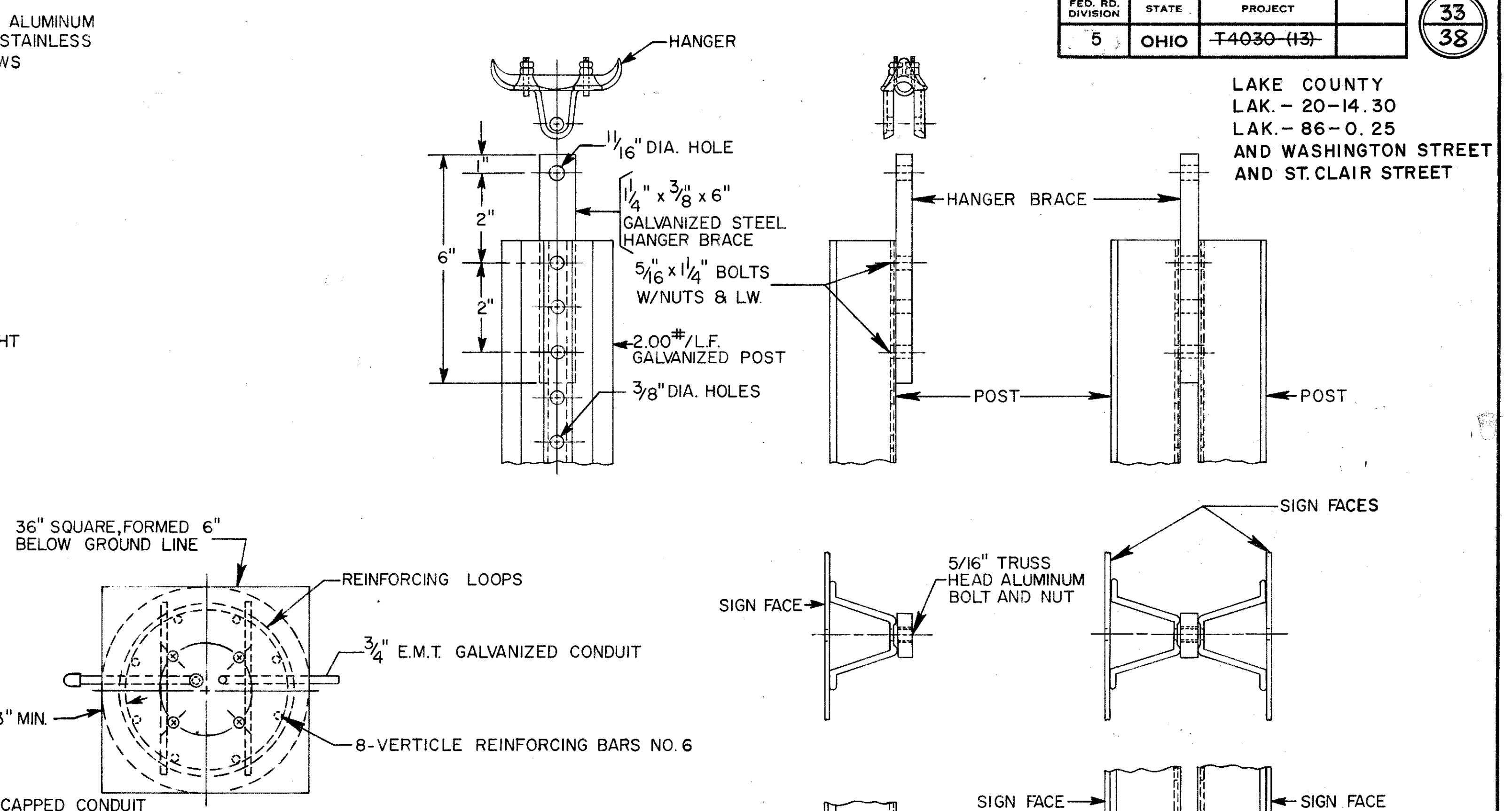
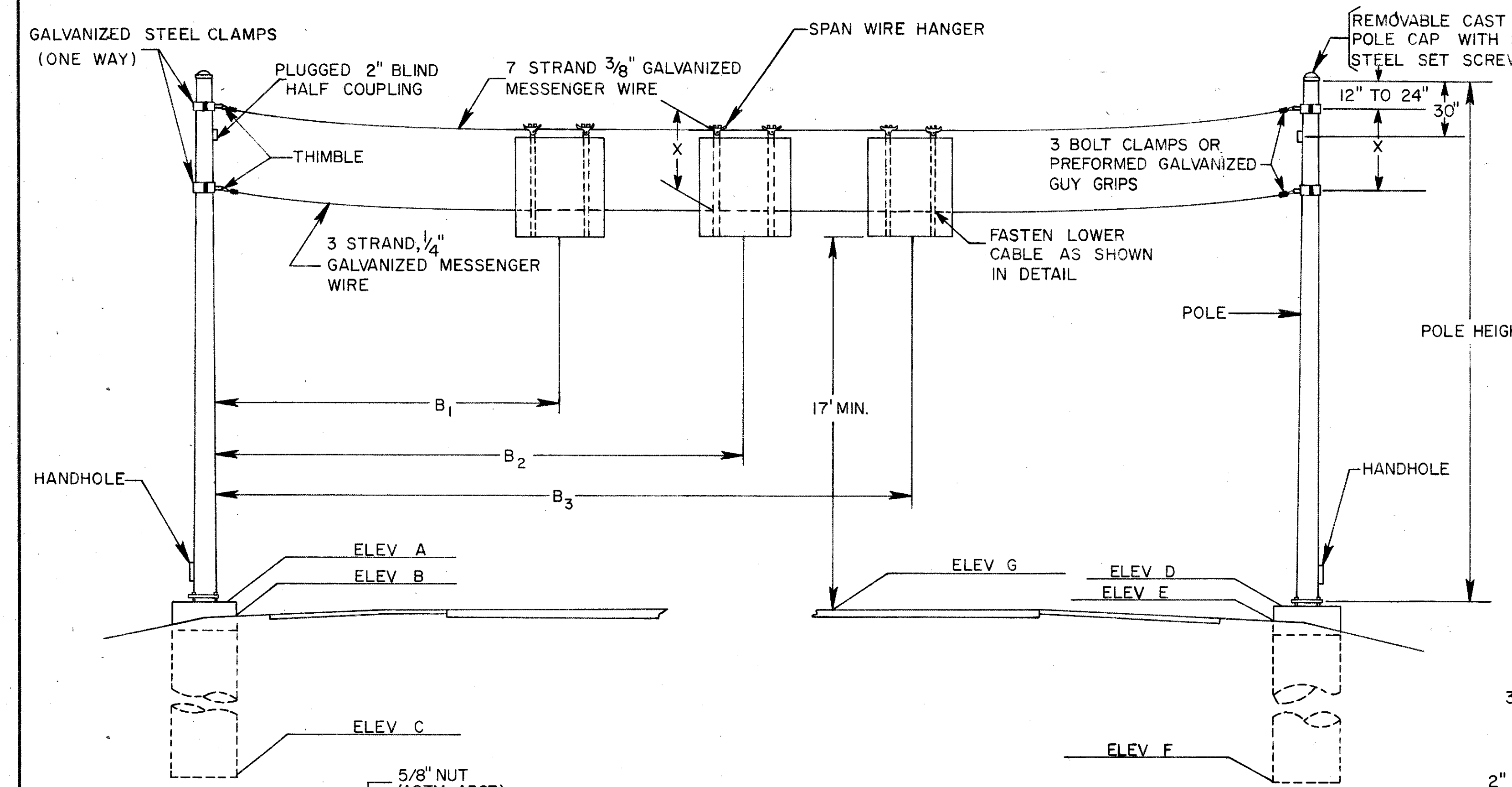


LAKE COUNTY  
LAK. - 20-14.30  
LAK. - 86-0.25  
AND WASHINGTON STREET  
AND ST. CLAIR STREET



TYPE	CLAMP RANGE	
	MIN.	MAX.
I	3.1"	3.6"
II	3.6"	4.4"
III	4.4"	5.2"
IV	5.2"	5.8"
V	5.8"	6.8"
VI	6.8"	7.9"
VII	7.9"	9.0"
VIII	9.0"	10.1"
IX	10.1"	11.3"
X	11.3"	12.1"
XI	12.1"	13.4"
XII	13.4"	14.5"
XIII	14.5"	15.5"
XIV	15.5"	16.5"

SPAN WIRE CLAMP DETAILS

LOCATION	SPAN LENGTH	SIGN												LEFT HAND STRAIN POLE			RIGHT HAND STRAIN POLE			BOLT CIRCLE	"D" MIN.	"P"	"S"	L	T	G	ANCHOR BOLT	ELEVATIONS							DIMENSION X
		SIGN 1	SIGN 2	SIGN 3	SIGN 4	SIGN 5	SIGN 6	DIA.	GA	HEIGHT	DIA.	GA	HEIGHT	A	B	C	D	E	F									G							
		A <sub>1</sub>	B <sub>1</sub>	A <sub>2</sub>	B <sub>2</sub>	A <sub>3</sub>	B <sub>3</sub>	A <sub>4</sub>	B <sub>4</sub>	A <sub>5</sub>	B <sub>5</sub>	A <sub>6</sub>	B <sub>6</sub>																						
WASHINGTON & MENTOR		16	13'	12	23'								10"	3	26'	EXISTING	WOOD	POLE	13-1/2"	10'	3-3/8"	14-1/8"	54"	9"	11"	1-1/2"	*		*						
ST. CLAIR & WASHINGTON		7.5	9'	7.5	21'	7.5	33'						10"	3	26'	10"	3	26'	13-1/2"	10'	3-3/8"	14-1/8"	54"	9"	11"	1-1/2"	672.65	672.25		672.70	672.22				

\* 2" ABOVE EXISTING GROUND

BUREAU OF DESIGN SERVICES  
OHIO DEPARTMENT OF HIGHWAYS

DATE 6/13/72

SPAN WIRE SIGN SUPPORT DETAILS

APPROVED \_\_\_\_\_ ENGINEER OF DESIGN SERVICES