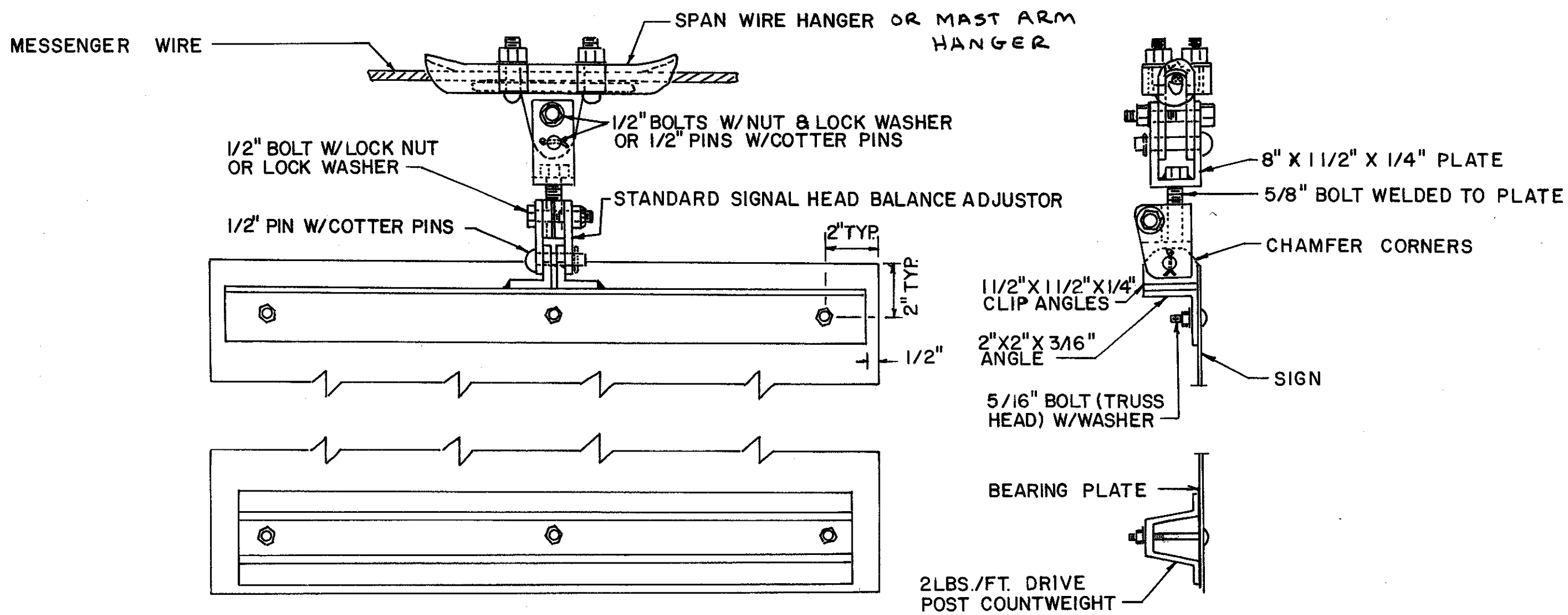
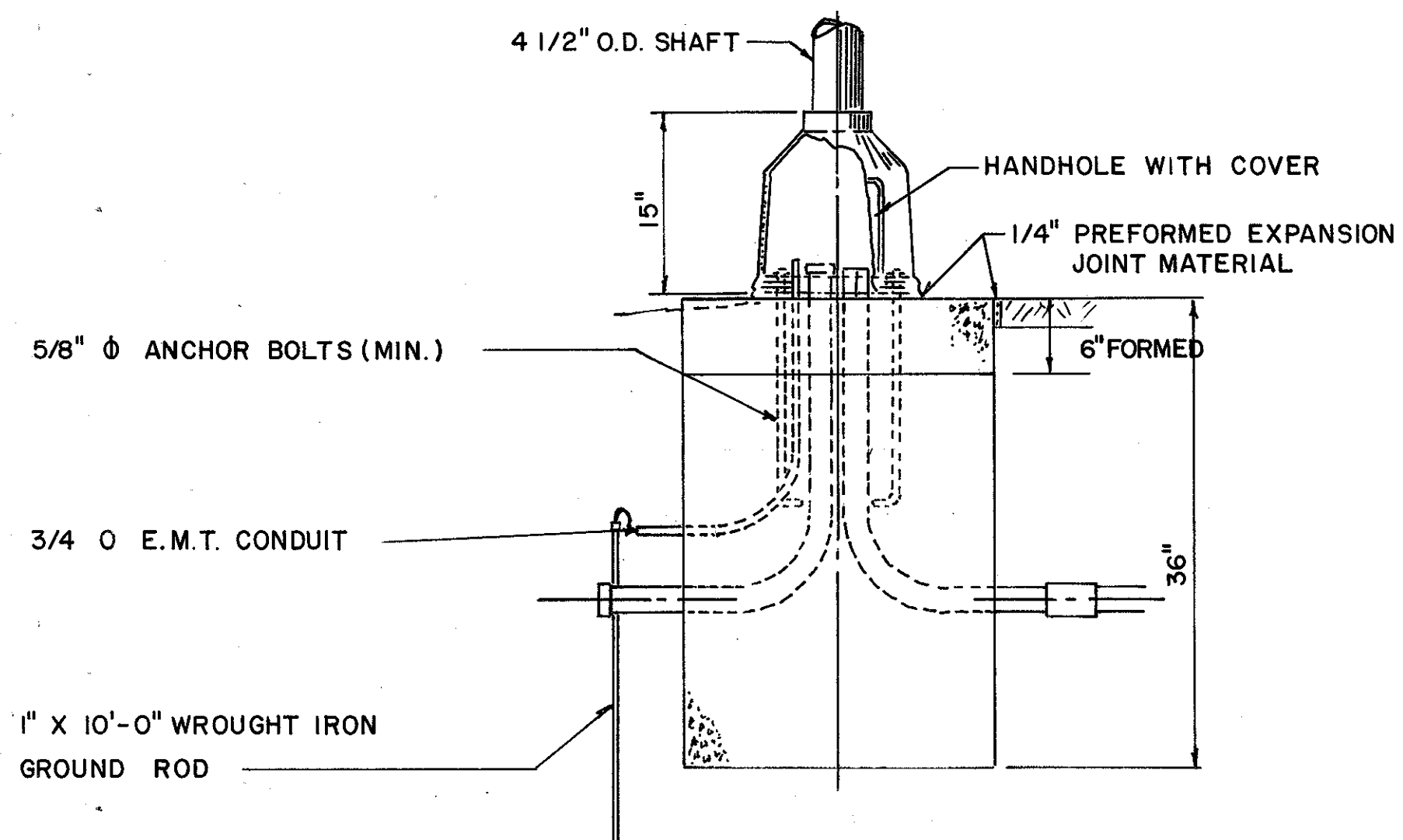
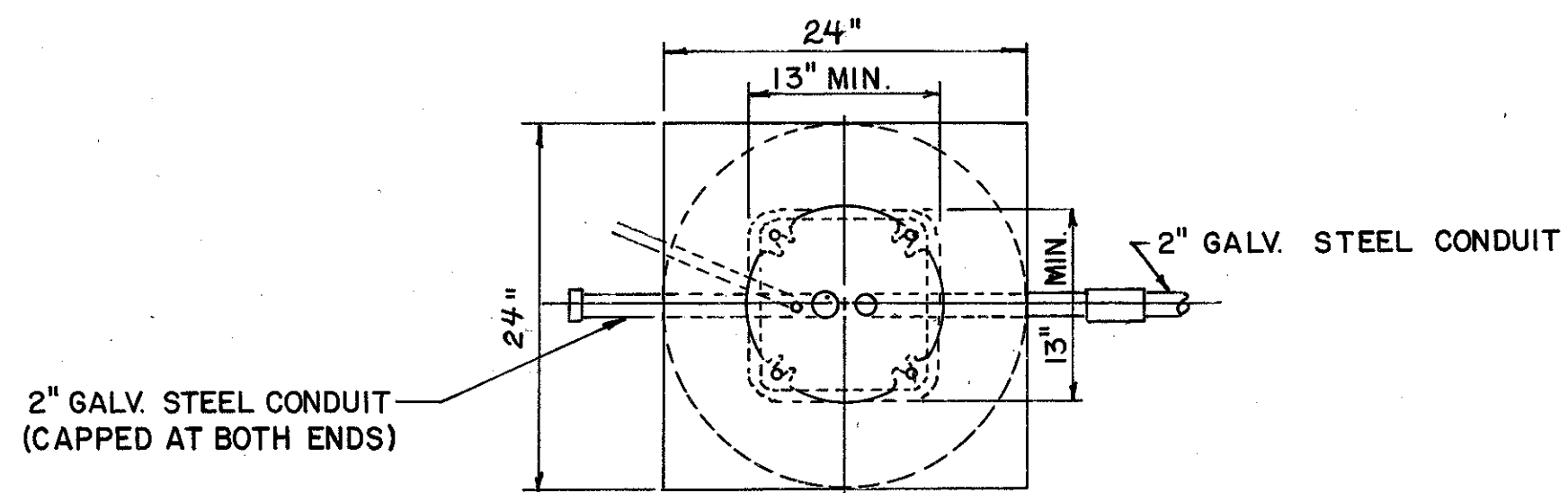


FED. RD. DIV.	STATE	PROJECT
5	OHIO	T-4030-(13)

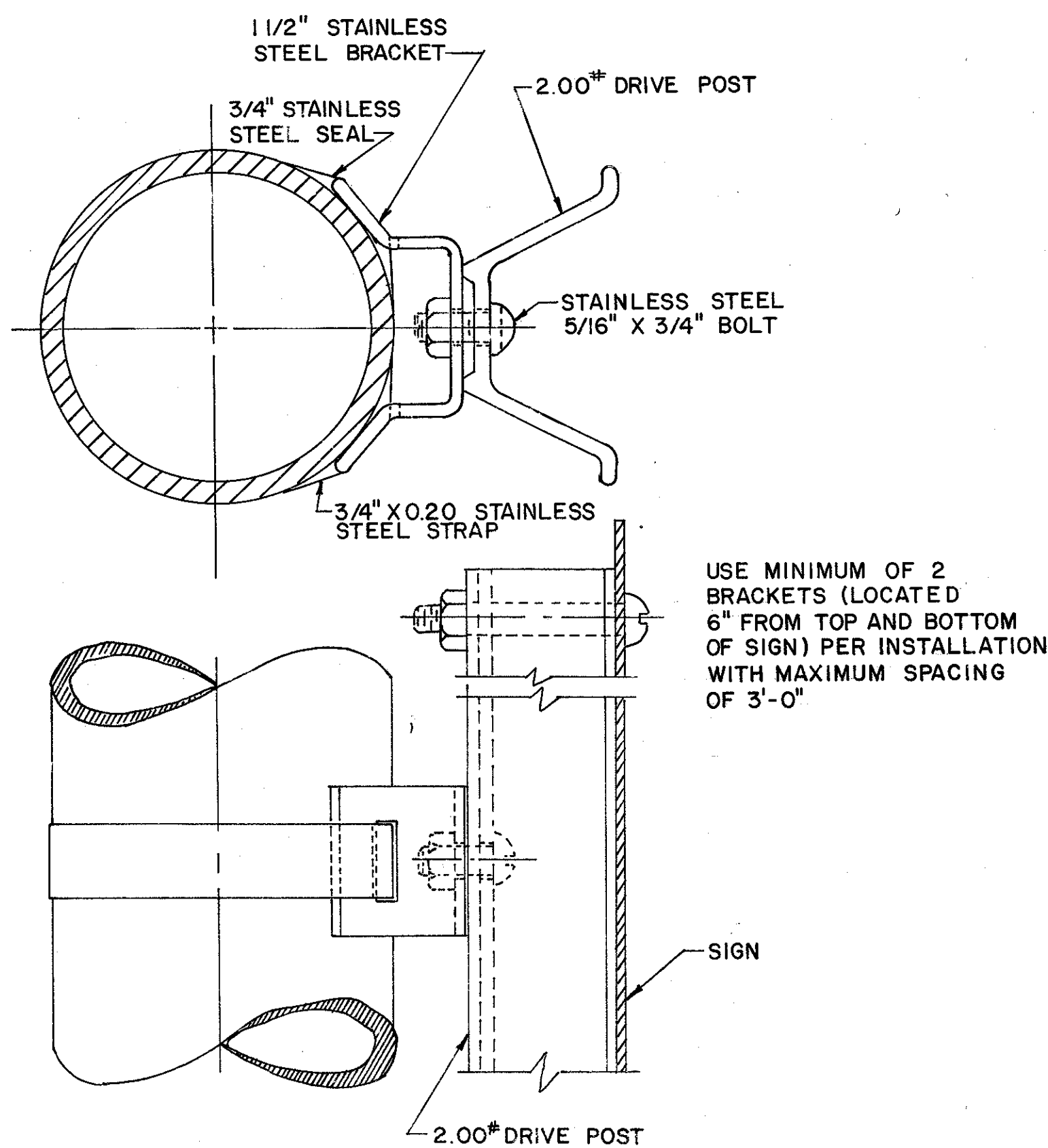
LAKE COUNTY
LAK.-20-14.30
LAK.-86-0.25
AND WASHINGTON STREET
AND ST. CLAIR STREET



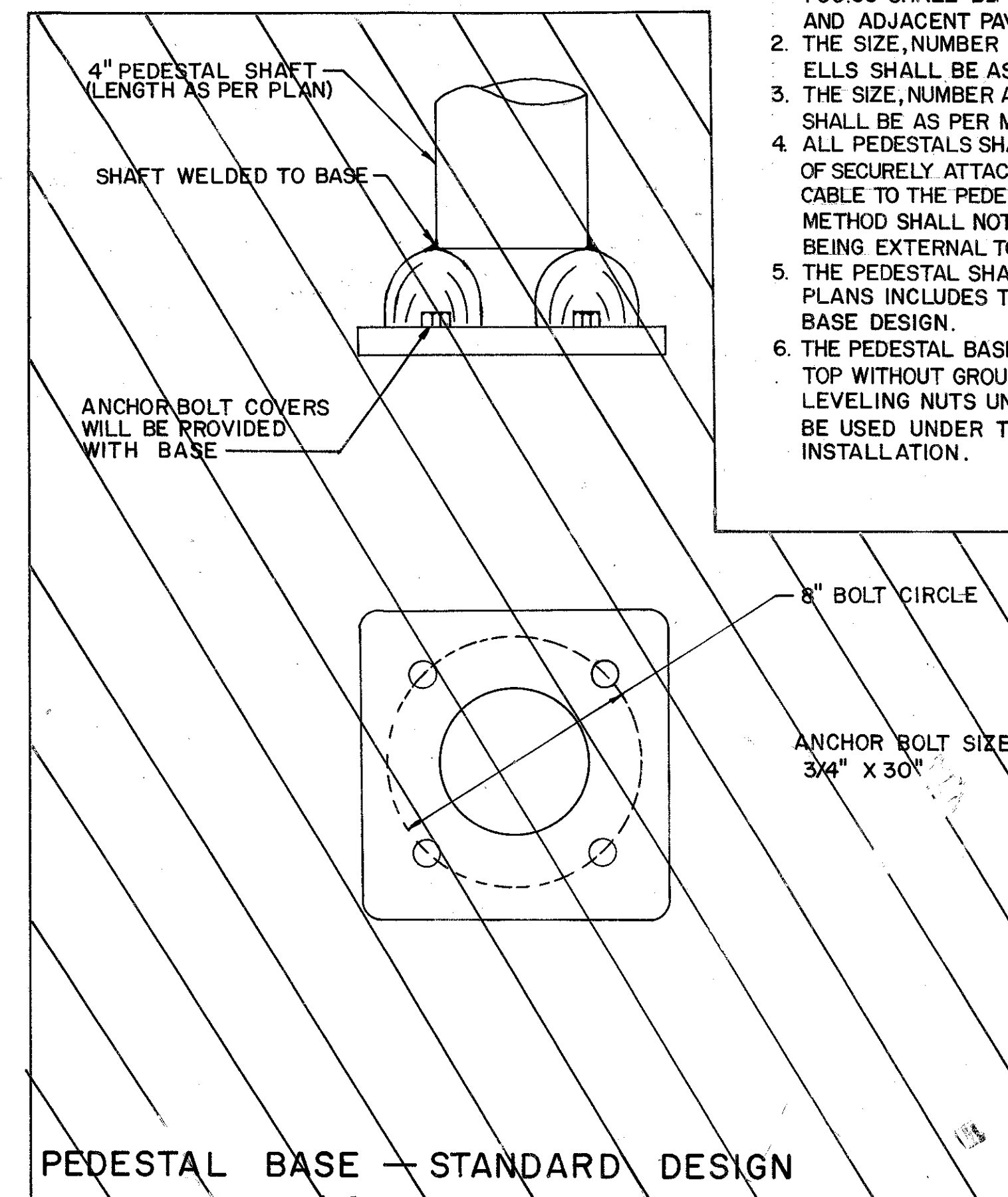
SPAN WIRE HANGER OR MAST ARM HANGER



PEDESTAL MOUNTED SIGNAL SUPPORTS



POLE MOUNTED SIGNS



PEDESTAL BASE - STANDARD DESIGN

- NOTES:
- 1/2" PREFORMED JOINT FILLER AS PER 705.03 SHALL BE USED BETWEEN FOUNDATIONS AND ADJACENT PAVED AREAS.
 - THE SIZE, NUMBER AND ORIENTATION OF CONDUIT ELLS SHALL BE AS SHOWN IN THE PLANS.
 - THE SIZE, NUMBER AND LOCATION OF ANCHOR BOLTS SHALL BE AS PER MANUFACTURER'S SPECIFICATIONS.
 - ALL PEDESTALS SHALL BE PROVIDED WITH A METHOD OF SECURELY ATTACHING A #4 AWG COPPER GROUNDING CABLE TO THE PEDESTAL AND/OR ANCHOR BOLT. THE METHOD SHALL NOT RESULT IN CABLES OR CONNECTIONS BEING EXTERNAL TO THE PEDESTAL.
 - THE PEDESTAL SHAFT LENGTH AS SPECIFIED IN THE PLANS INCLUDES THE PEDESTAL BASE FOR EITHER BASE DESIGN.
 - THE PEDESTAL BASE WILL SET ON THE FOUNDATION TOP WITHOUT GROUTING, PREFORMED FILLERS OR LEVELING NUTS UNDER THE BASE. STEEL SHIMS MAY BE USED UNDER THE BASE FOR LEVELING THE INSTALLATION.