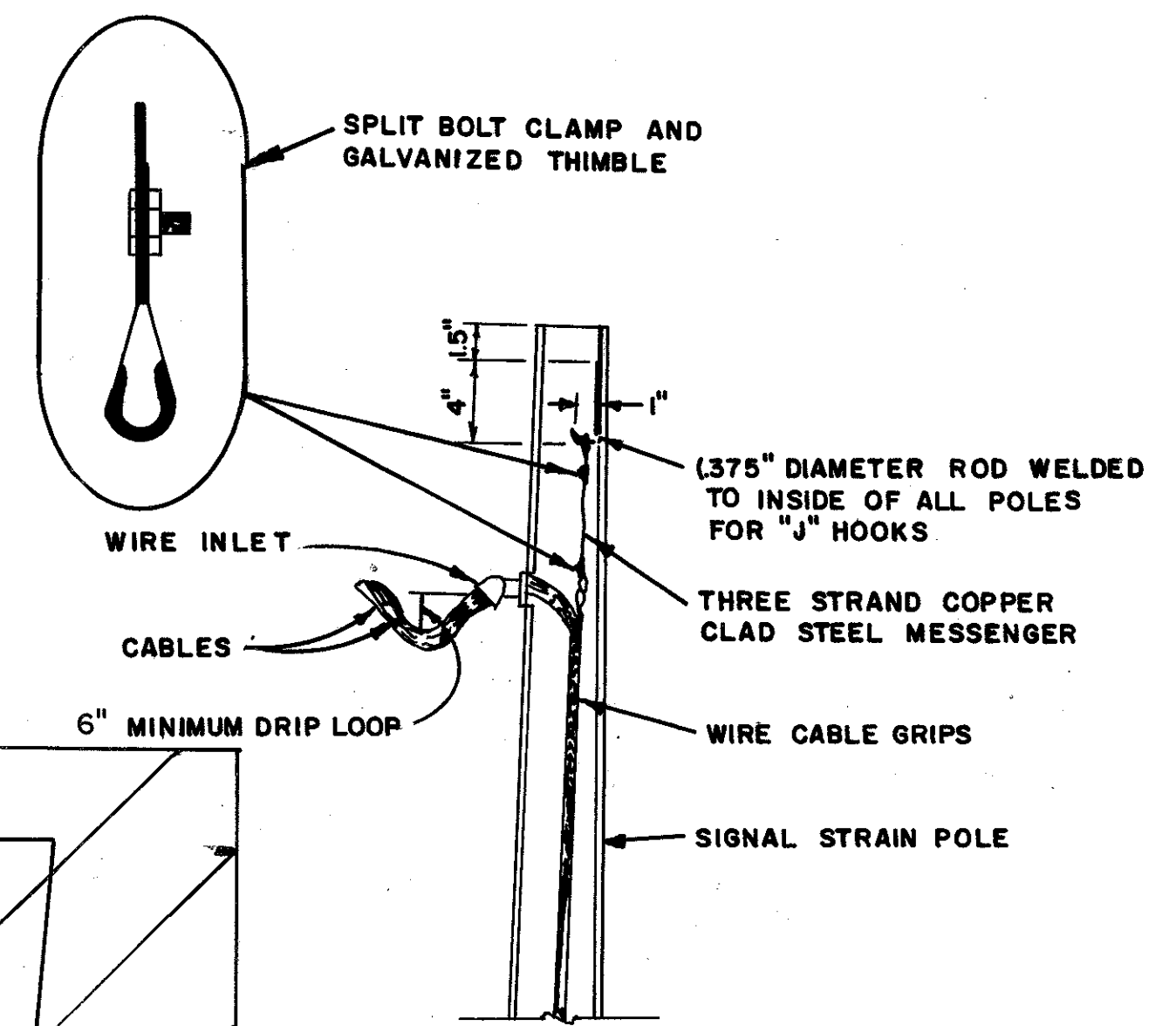
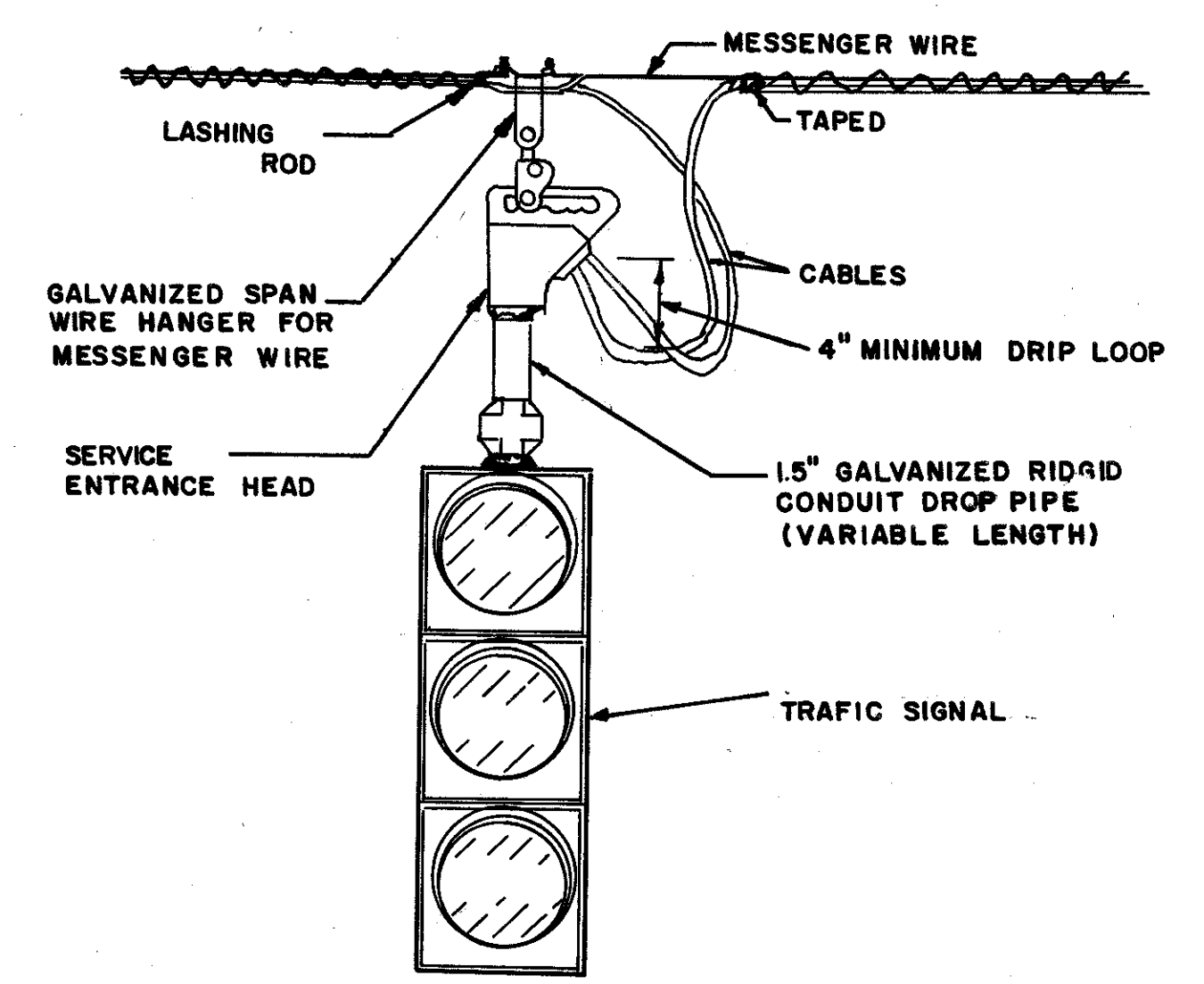


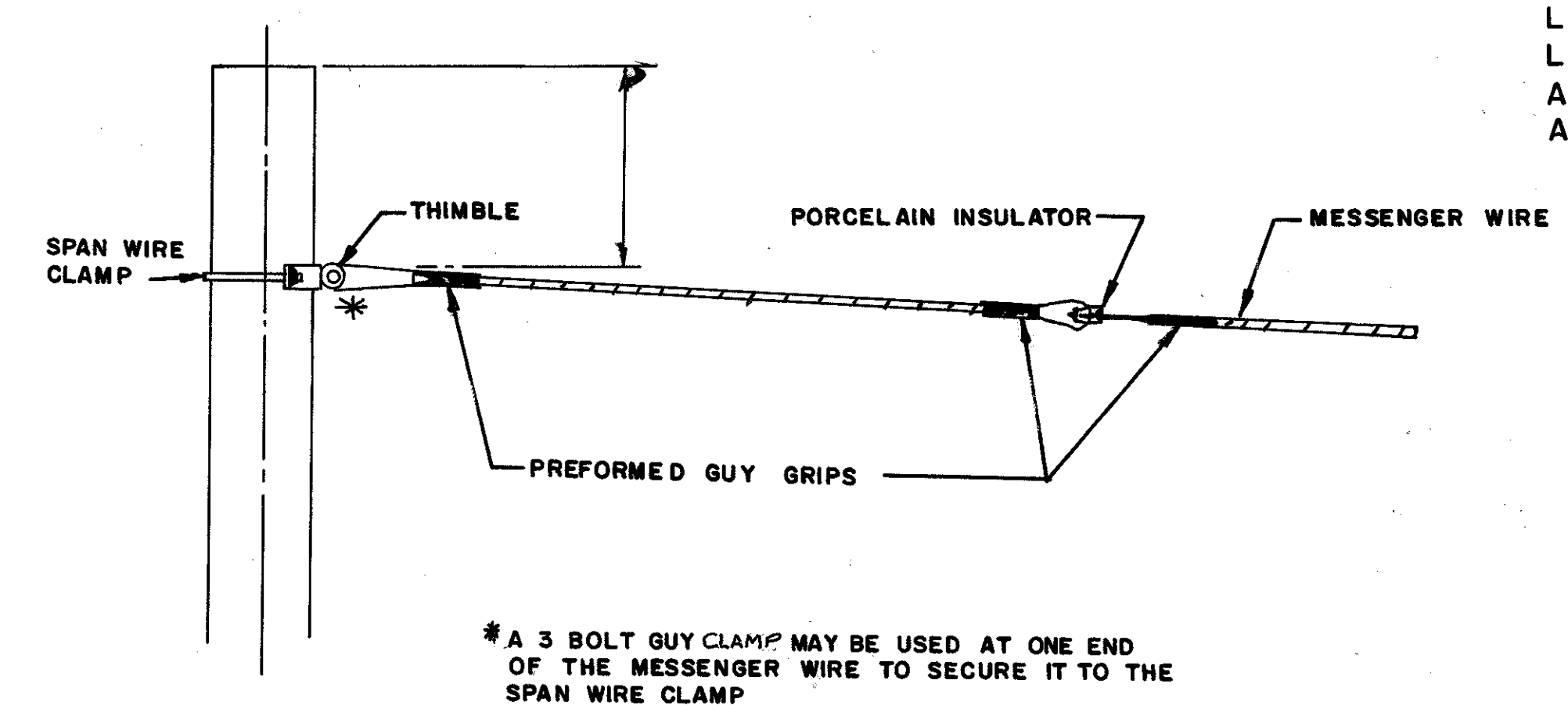
LAKE COUNTY
LAK. - 20-14.30
LAK. - 86-0.25
AND WASHINGTON STREET
AND ST. CLAIR STREET



CABLE SUPPORT ASSEMBLIES

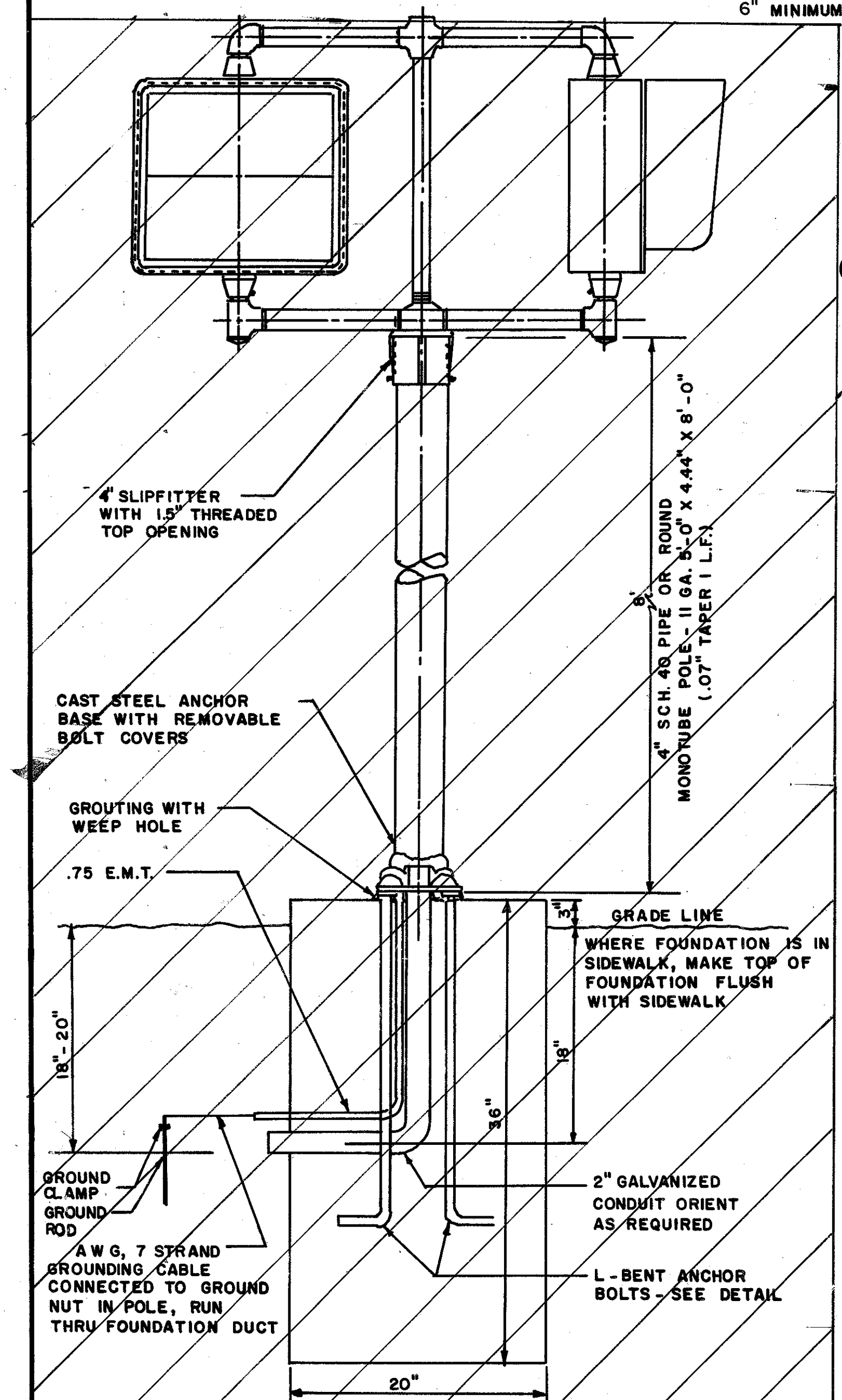


TRAFFIC SIGNAL ASSEMBLIES

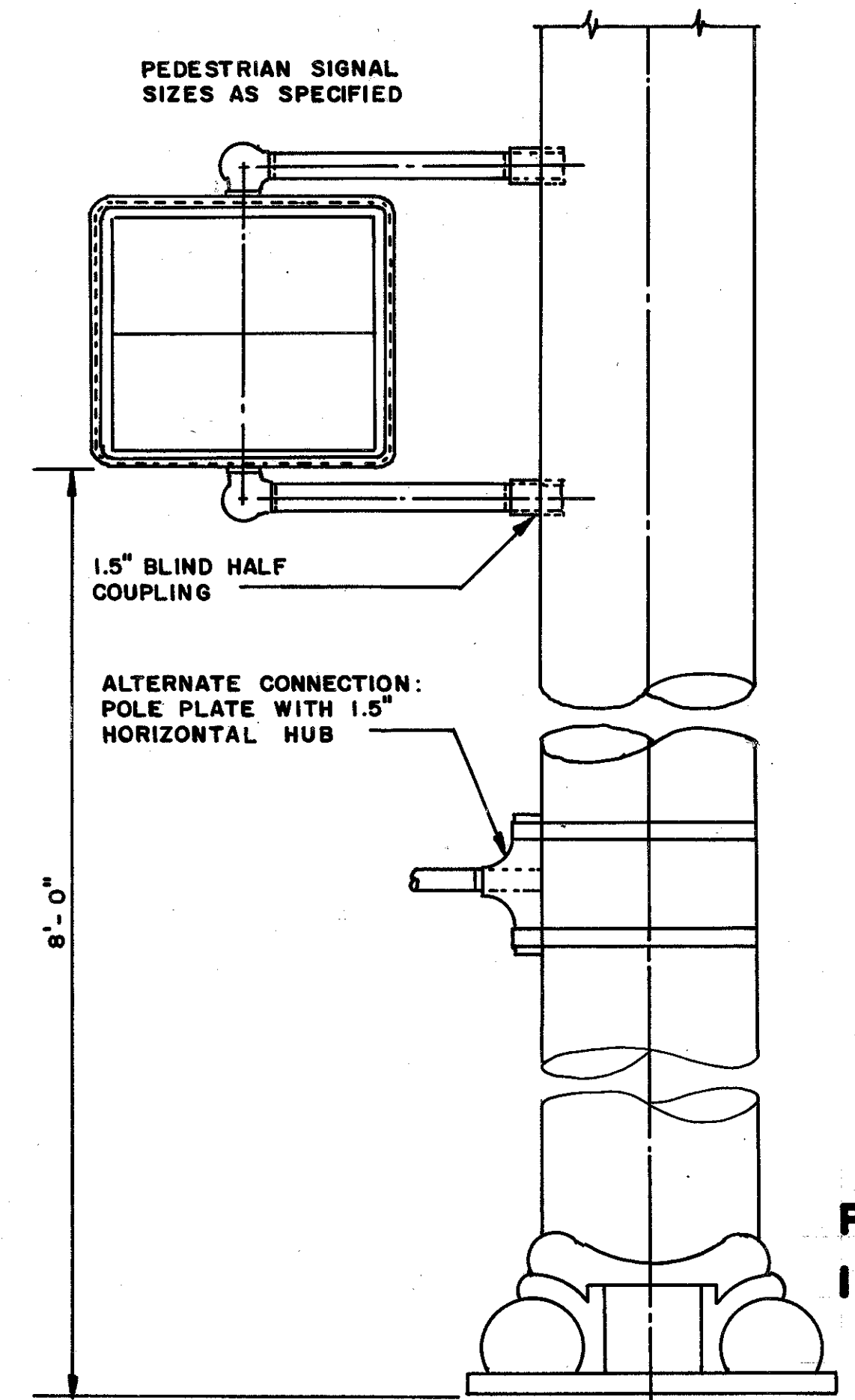


*A 3 BOLT GUY CLAMP MAY BE USED AT ONE END OF THE MESSENGER WIRE TO SECURE IT TO THE SPAN WIRE CLAMP

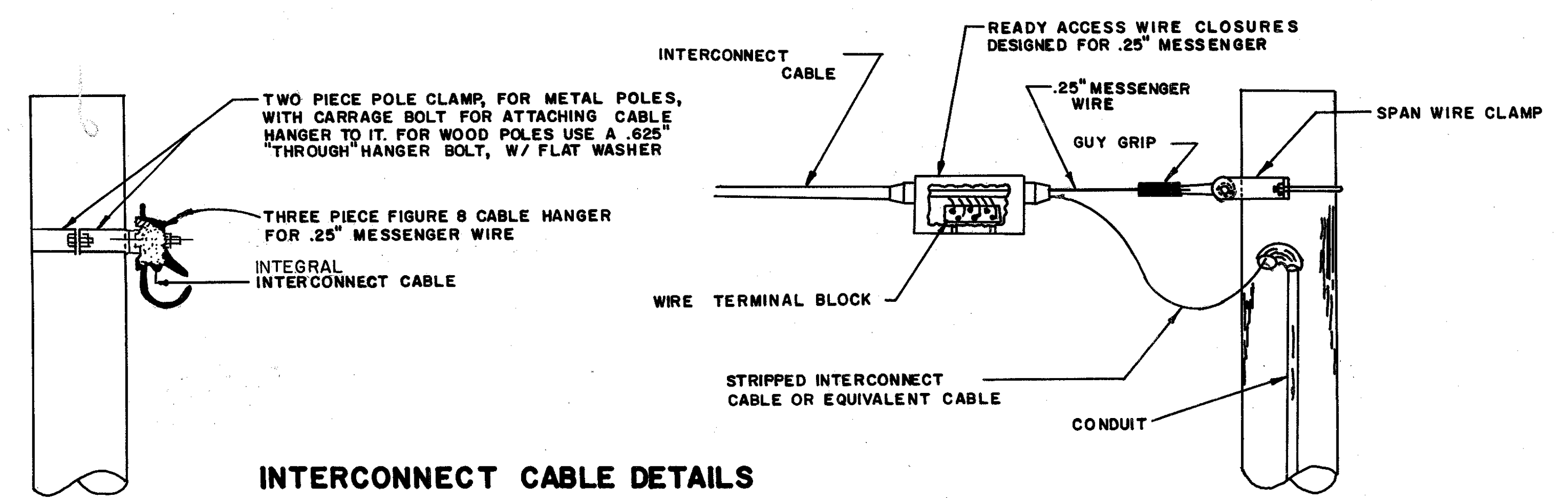
MESSENGER WIRE POLE ATTACHMENT DETAIL



SIGNAL SUPPORT PEDESTAL MOUNTED DETAILS



PEDESTRIAN PUSH BUTTON INSTALLATION DETAILS



INTERCONNECT CABLE DETAILS

THE INTERCONNECT CABLE SHALL BE MOUNTED HIGH ENOUGH ON THE POLES SO THAT AT THE LOW POINT OF THE SAG, BETWEEN TWO POLES, THE CABLE SHALL BE AT LEAST 20' ABOVE GROUND LEVEL.

DETAILS
SCALE: NONE