

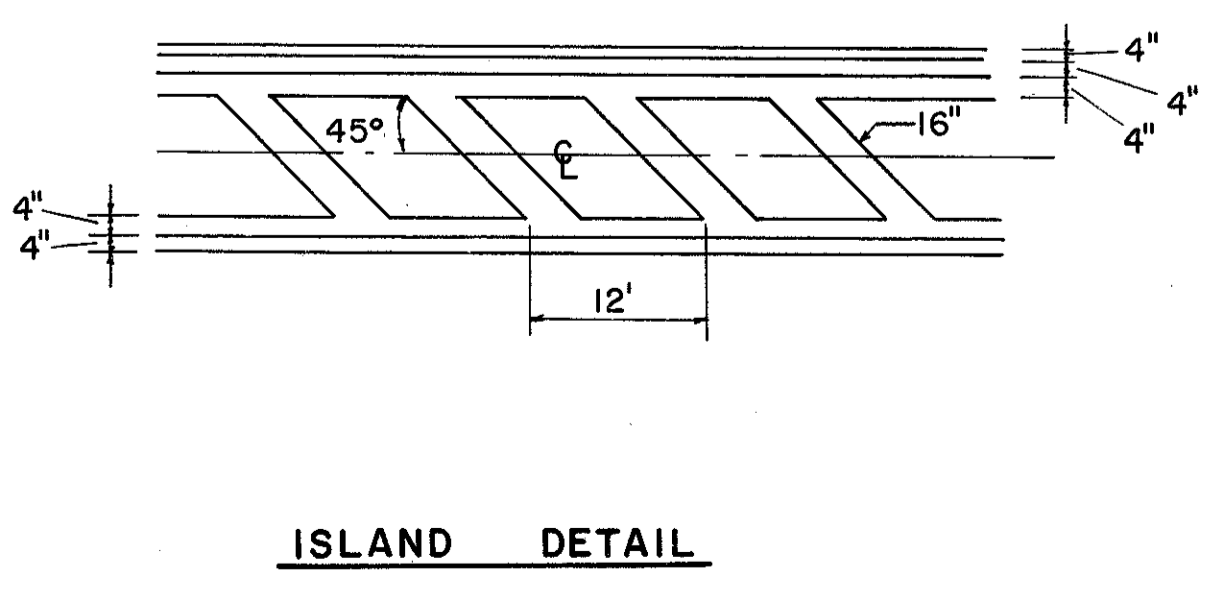
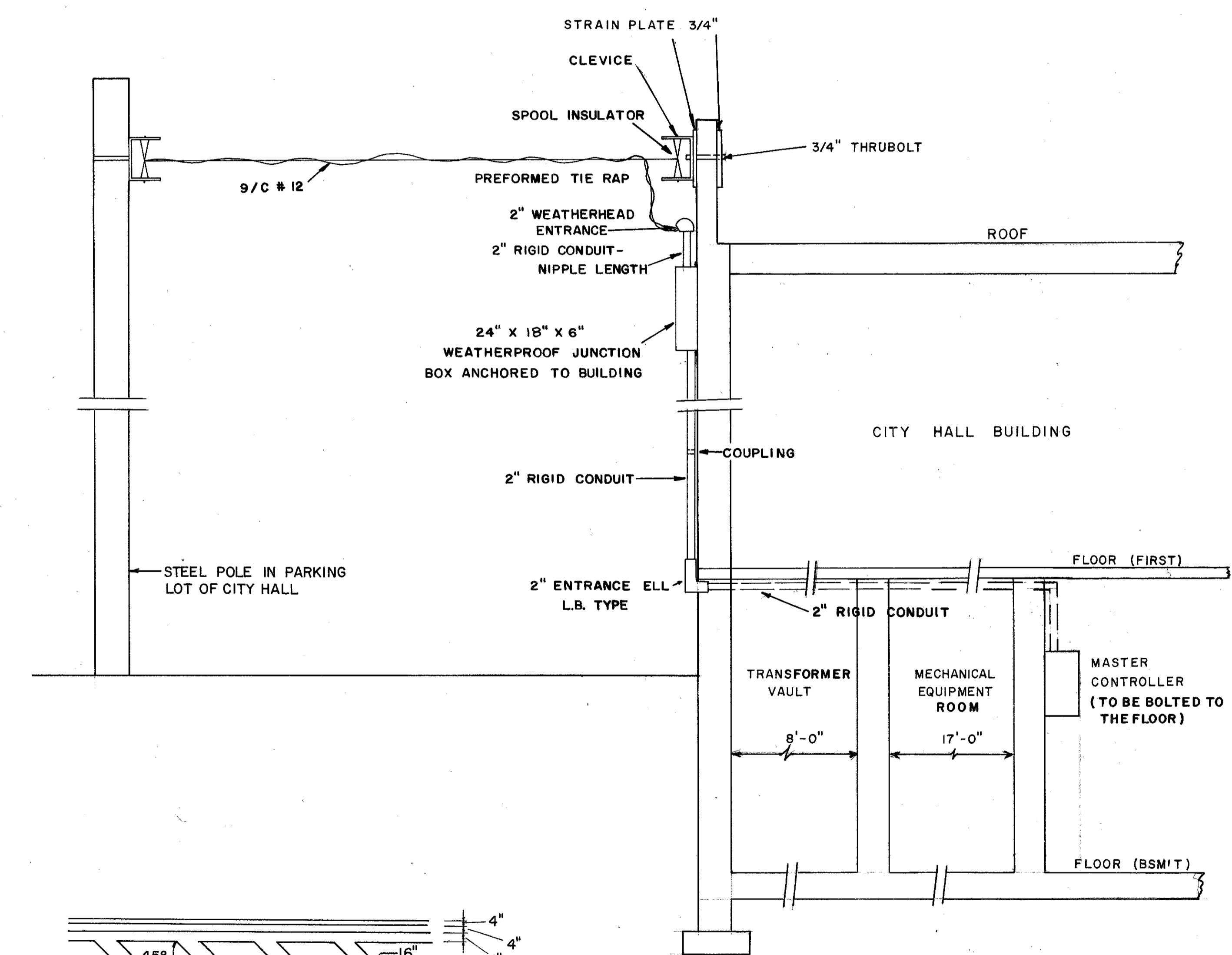
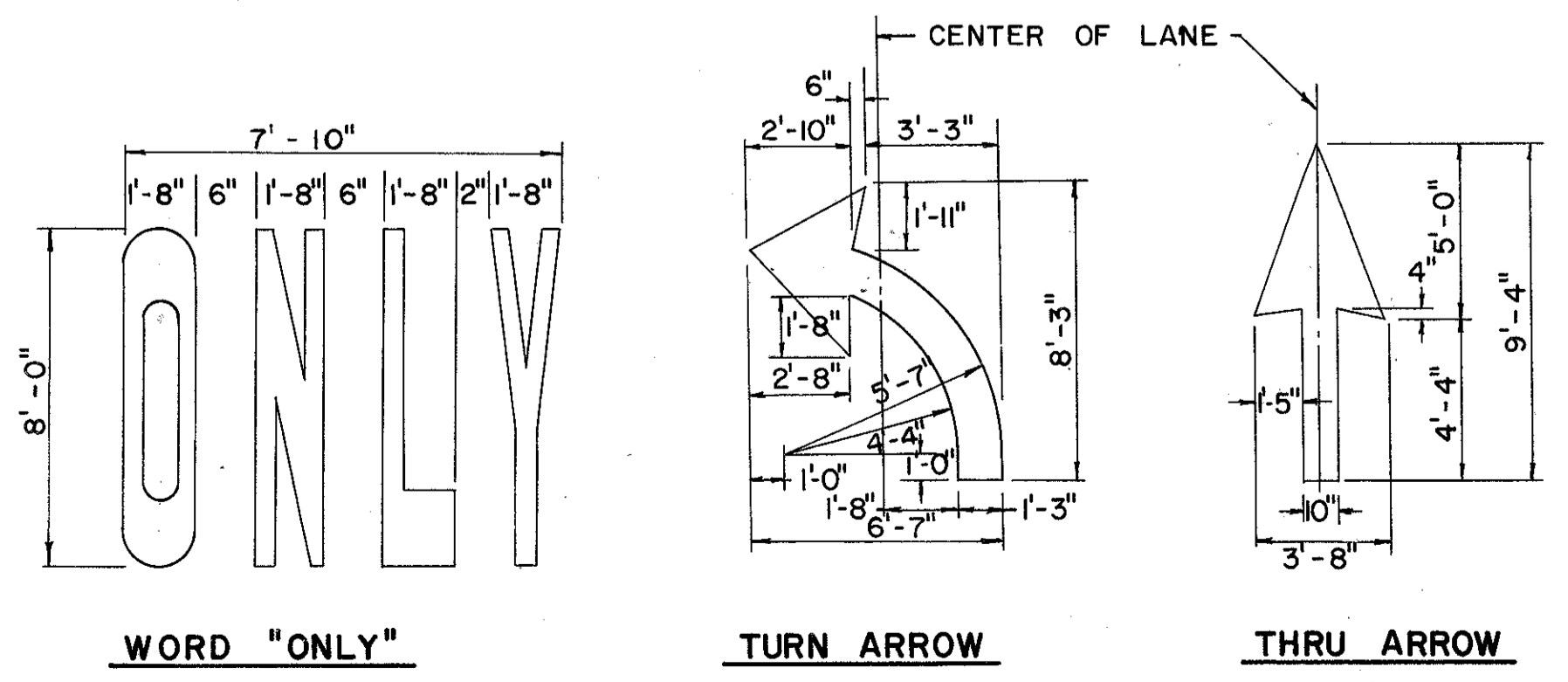
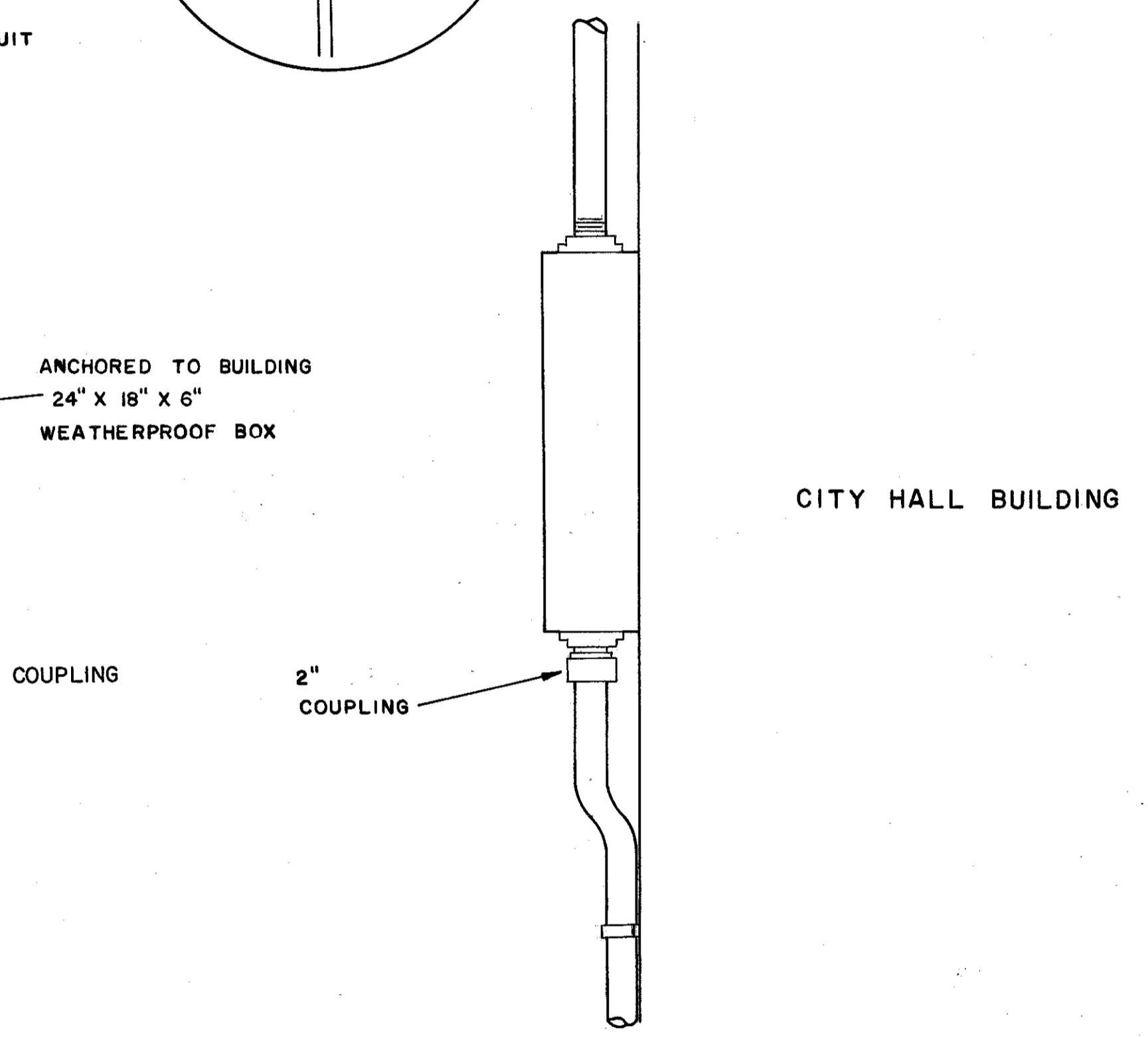
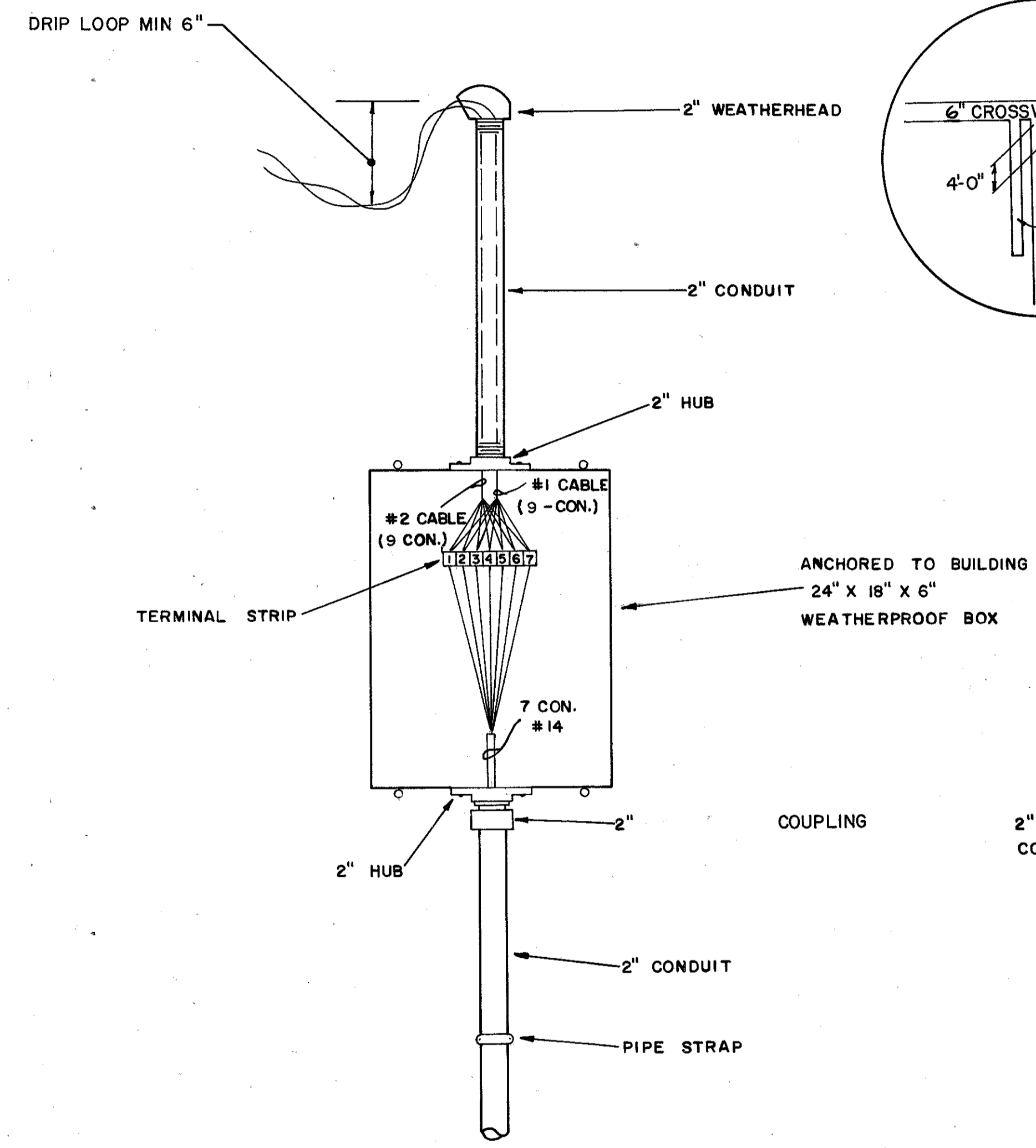
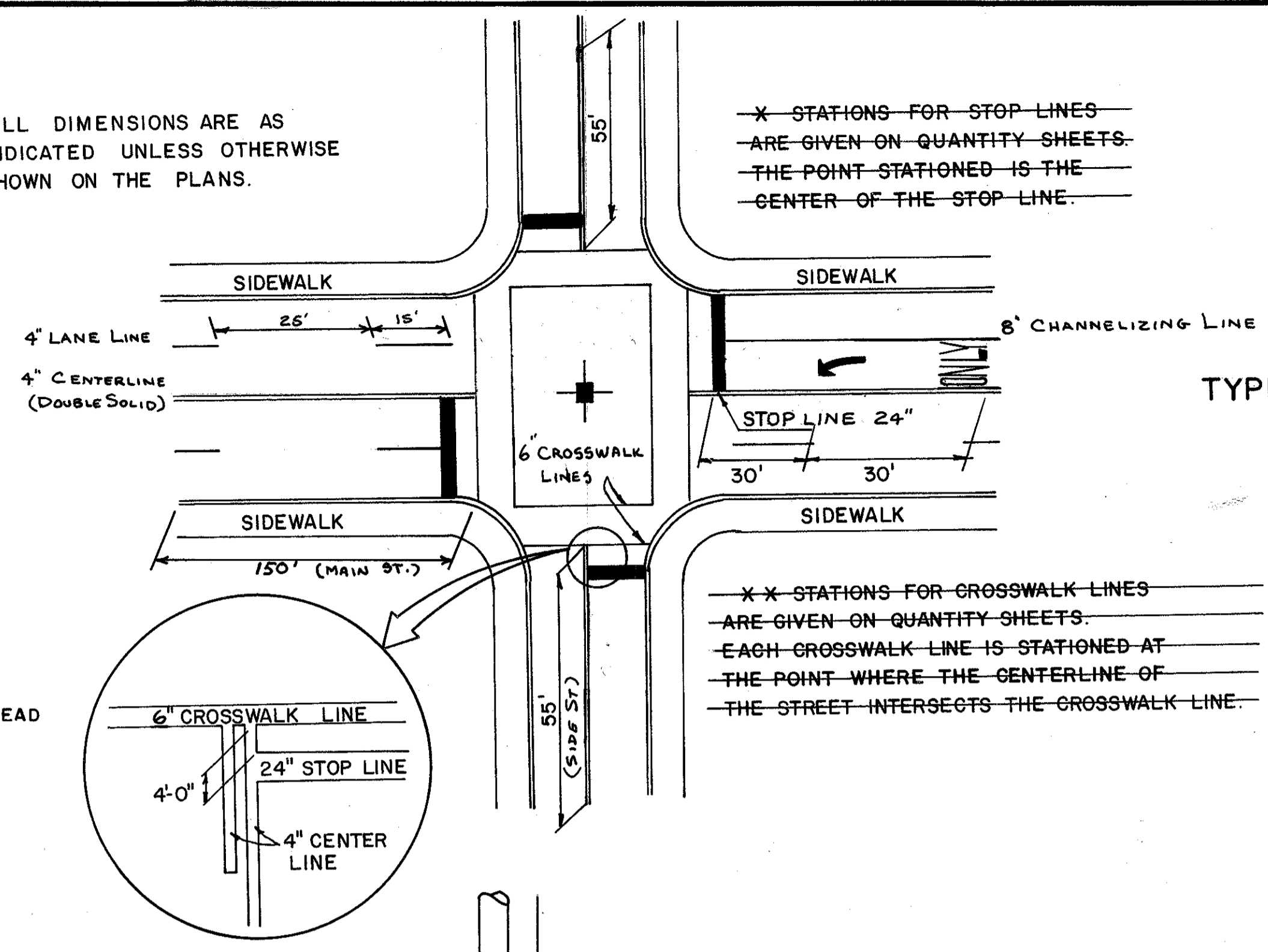
LAKE COUNTY  
LAK. - 20-14.30  
LAK. - 86-0.25  
AND WASHINGTON STREET  
AND ST. CLAIR STREET

ALL DIMENSIONS ARE AS INDICATED UNLESS OTHERWISE SHOWN ON THE PLANS.

X STATIONS FOR STOP LINES ARE GIVEN ON QUANTITY SHEETS. THE POINT STATIONED IS THE CENTER OF THE STOP LINE.

XX STATIONS FOR CROSSWALK LINES ARE GIVEN ON QUANTITY SHEETS. EACH CROSSWALK LINE IS STATIONED AT THE POINT WHERE THE CENTERLINE OF THE STREET INTERSECTS THE CROSSWALK LINE.

TYPICAL SIGNALIZED INTERSECTION  
SCALE: NONE



ENTRANCE OF INTERCONNECT CABLE TO CITY HALL