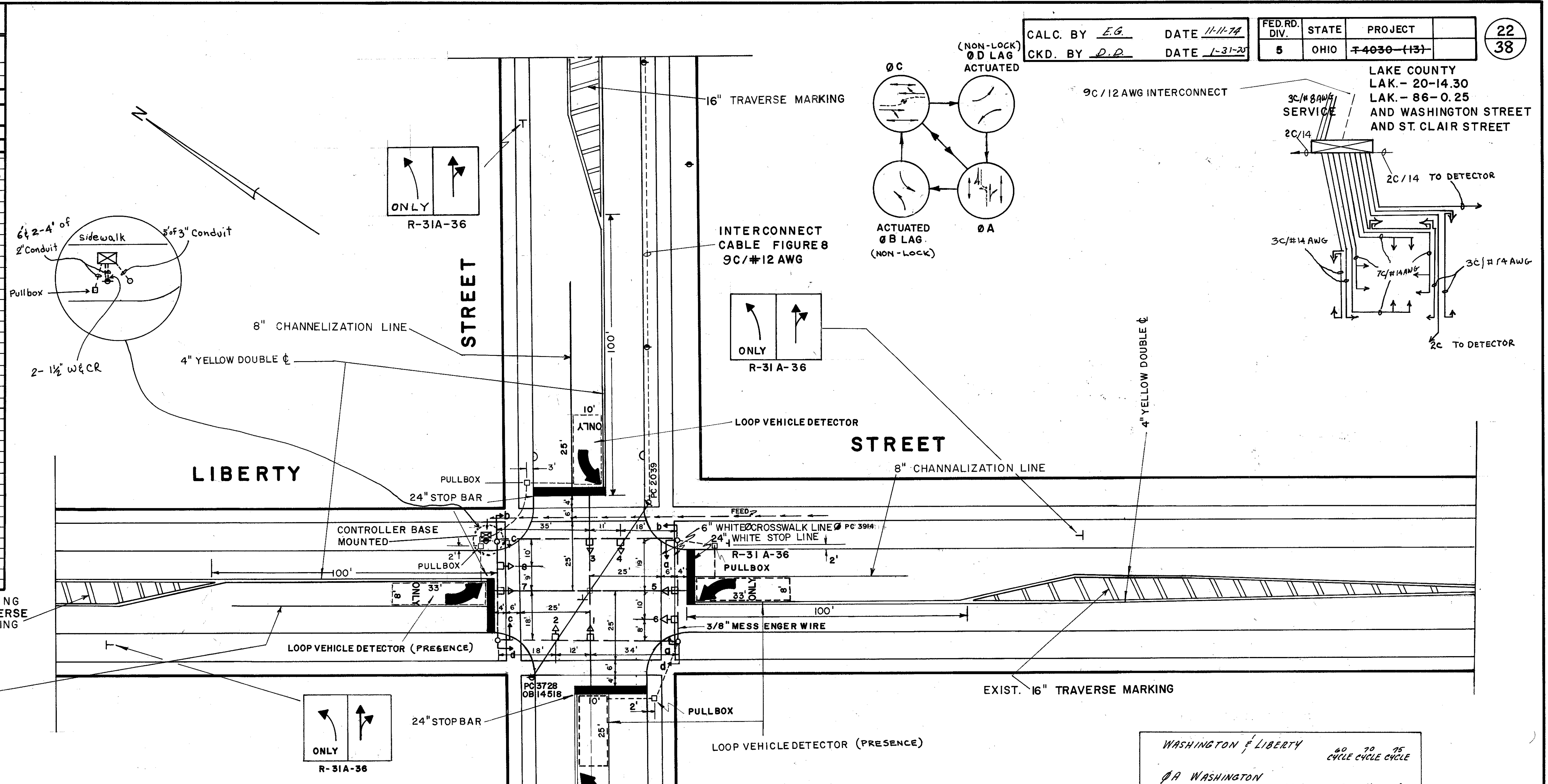


DATE:		APPLIES ON CAM CHART		COLOR SEQUENCE CHARTS		
DRAWN:				LIBERTY ST. & WASHINGTON ST.		
CHECKED:				PAINESVILLE, OHIO		
APPROVED:						
DIAL SETTINGS (SECONDS OR PERCENT)						
		0 A	0 B	0 C	0 D	
		1	2	3	4	5
		6	7	8	9	10
		11	12	13	14	FLASH
STREETS	NUMBER OF SIGNALS					
CROSS LIBERTY WASH WEST	d	DW	X	X	X	X
CROSS LIBERTY WASH EAST	c	DW	X	X	X	X
CROSS LIBERTY WASH SOUTH	b	DW	X	X	X	X
CROSS LIBERTY WASH NORTH	a	DW	X	X	X	X
CROSS WASHINGTON WESTBOUND	7	R	X	X	X	X
CROSS WASHINGTON EASTBOUND	6	R	X	X	X	X
CROSS WASHINGTON WESTBOUND	5	R	X	X	X	X
CROSS WASHINGTON EASTBOUND	4	R	X	X	X	X
CROSS WASHINGTON WESTBOUND	3	R	X	X	X	X
CROSS WASHINGTON EASTBOUND	2	R	X	X	X	X
CROSS WASHINGTON WESTBOUND	1	R	X	X	X	X
CROSS WASHINGTON EASTBOUND	1	R	X	X	X	X

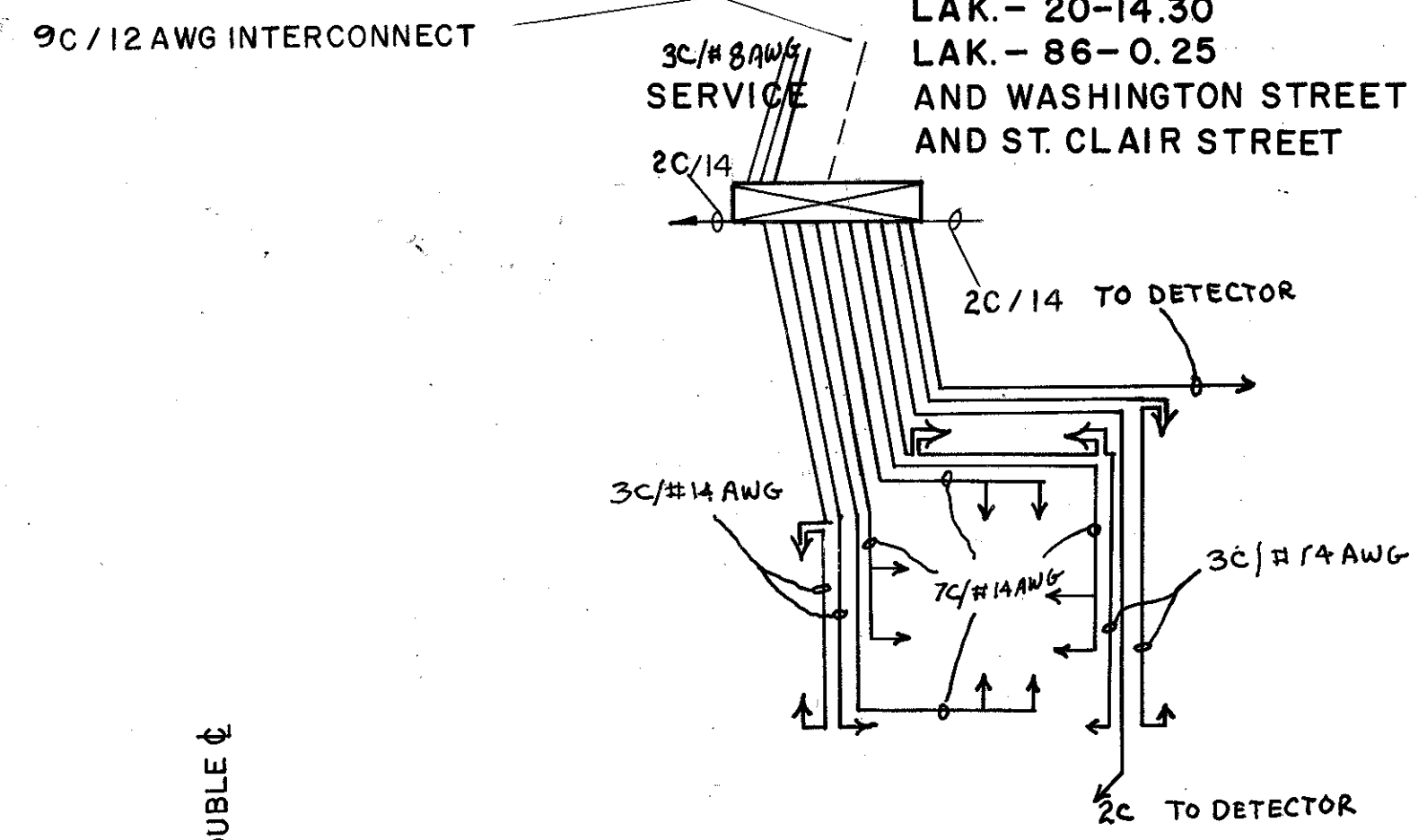


CALC. BY E.G. DATE 11-11-74
 CKD. BY D.D. DATE 1-31-75

FED. RD. DIV.	STATE	PROJECT	
5	OHIO	F-4030-113	

22
38

LAKE COUNTY
 LAK. - 20-14.30
 AND WASHINGTON STREET
 AND ST. CLAIR STREET

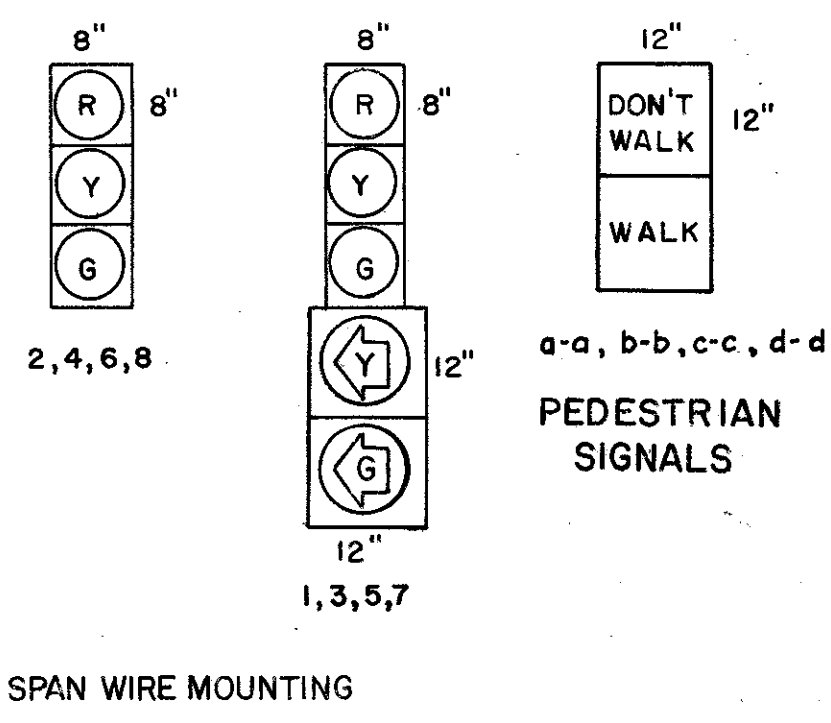


WASHINGTON & LIBERTY		60	70	95
		CYCLE CYCLE CYCLE		
0A WASHINGTON				
	WALK	9	16	19
	FLDW 3/4	8	8	8
	GREEN	17	24	27
	YELLOW	3	3	3
	RED	40	43	45
0B LEFT TURN ACTUATED				
	INITIAL	2	2	2
	VEHICLE EXT.	2	2	2
	MAX.	10	10	10
0C LIBERTY				
	WALK	7	10	12
	FLDW 1/4	10	10	10
	GREEN	17	20	22
	YELLOW	3	3	3
	RED	4	47	50
0D LEFT TURN ACTUATED				
	INITIAL	2	2	2
	VEHICLE EXT.	2	2	2
	MAX.	10	10	10

ITEM	DESCRIPTION	UNIT	QUANTITY
816	SIGNAL STRAIN POLE - 3GA. 10" X 6.36" X 26' 0"	EA.	4
816	CONC. FOR SIGNAL SUPPORT FNDN	CY.	4
816	CONC. FOR CONTROLLER FOUNDATION	CY.	0.9
816	STRUCTURAL SUPPORT DRIVEN NO. 4	LF.	60
815	SIGN, FLAT SHEET TYPE	SF.	30
625	TRAFFIC SIGNAL HEAD - 3 SECTION, 8" LENS 1 WAY SPAN - WIRE	EA.	4
625	TRAFFIC SIGNAL HEAD - 5 SECTION, 3-8" LENS, 2-12" ARROW - 1 WAY SPAN WIRE	EA.	4
625	PEDESTRIAN SIGNAL HEAD INCANDESCENT TYPE - 12" X 12" - 2 WAY POLE MOUNTED	EA.	4
625	SIGNAL CONTROLLER, SECONDARY, TYPE III, BASE MTD., PRE-WIRED CABINET	EA.	1
625	GROUND ROD	EA.	5
625	CABLE SUPPORT ASSEMBLY	EA.	4
625	TRENCH	LF.	80
625	3" CONDUIT 713.04	LF.	5
202	REMOVAL OF EXISTING SIGNAL INSTALLATION	EA.	1

ITEM	DESCRIPTION	UNIT	QUANTITY
625	1 1/2" CONDUIT RISER WITH WEATHERHEAD	EA.	2
625	MESSENGER WIRE 3/8" 7 STRAND WITH ACCESSORIES	LF.	203
625	POWER CABLE - 3C/#8 AWG - STRANDED RHW OR RHW TYPE	LF.	42
625	SIGNAL CABLE - 3C/#14 AWG IMSA 19-1-67	LF.	620
625	SIGNAL CABLE - 7C/#14 AWG IMSA 19-1-67	LF.	460
625	2" CONDUIT 713.04	LF.	72
625	COVERING OF TRAFFIC SIGNAL HEAD	EA.	8
625	INTERCONNECT CABLE 9C #12 AWG	LF.	42
621	WHITE 24" STOP LINES	LF.	90
621	LANE ARROWS	EA.	4
621	CROSSWALK LINES - 6"	LF.	298
621	CHANNELIZING LINES (WHITE) 8"	LF.	204
621	WORD "ONLY" ON PAVEMENT, AS PER PLAN	EA.	4

625	PULL BOX 713.09	EA.	4
625	LOOP DETECTOR PAVEMENT CUTTING	LF.	355
625	LOOP DETECTOR WIRE	LF.	766
625	LOOP DETECTOR LEAD IN CABLE	LF.	365
625	LOOP DETECTOR AMPLIFIER	EA.	2



LIBERTY ST. & WASHINGTON ST.
 SIGNAL PLAN
 SCALE: 1"=20'