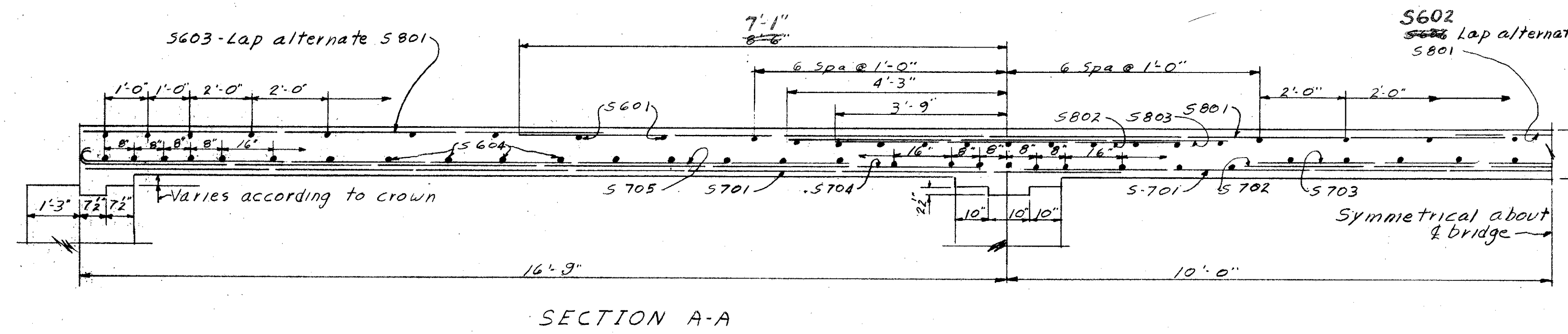
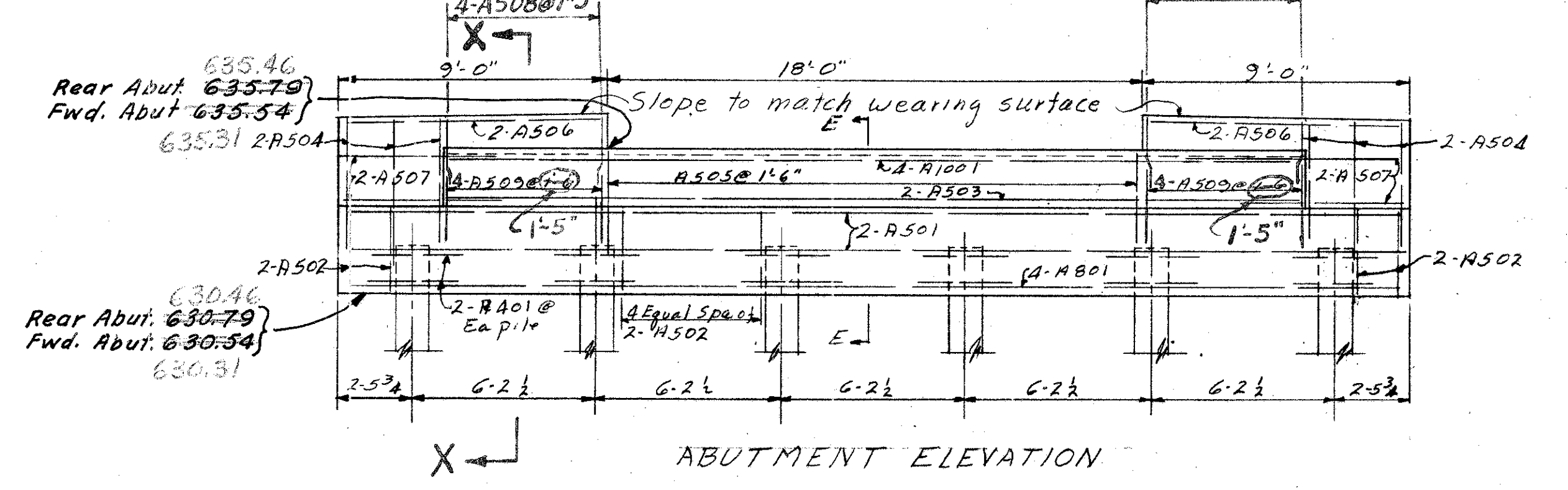
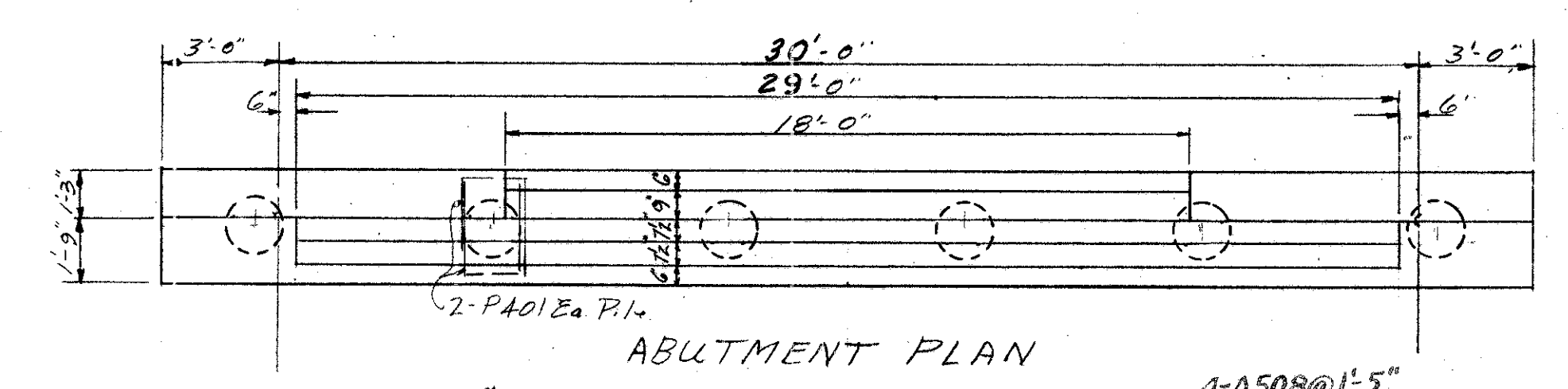
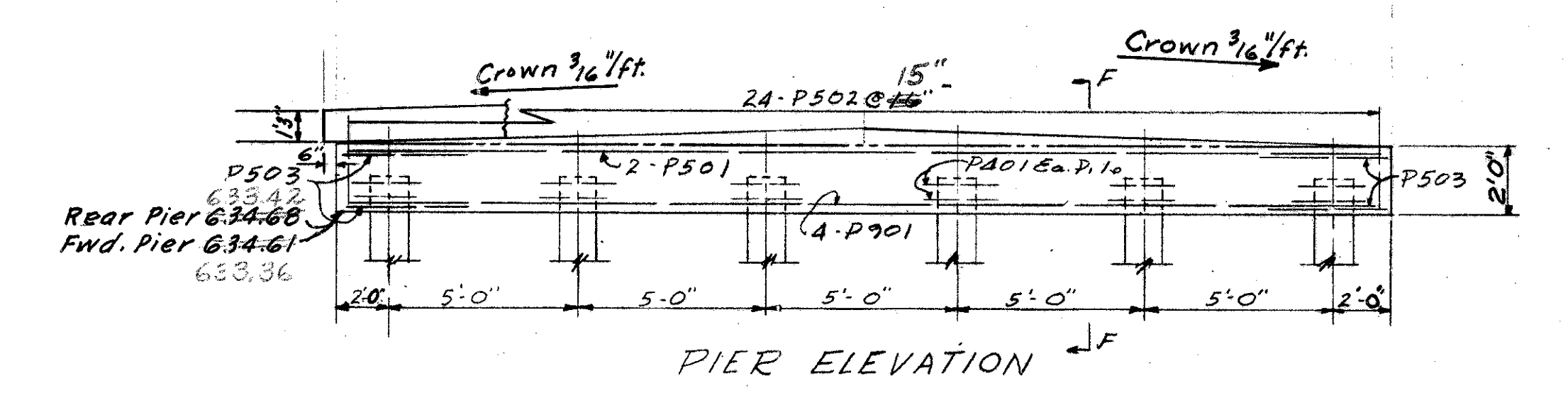
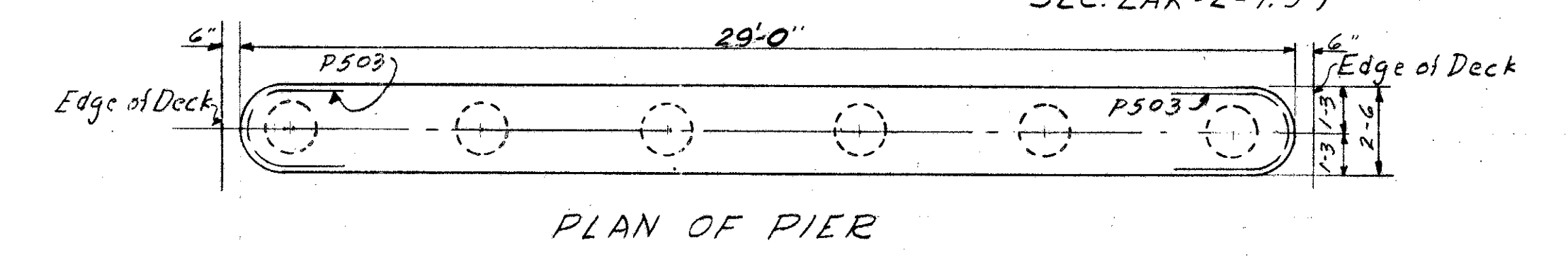
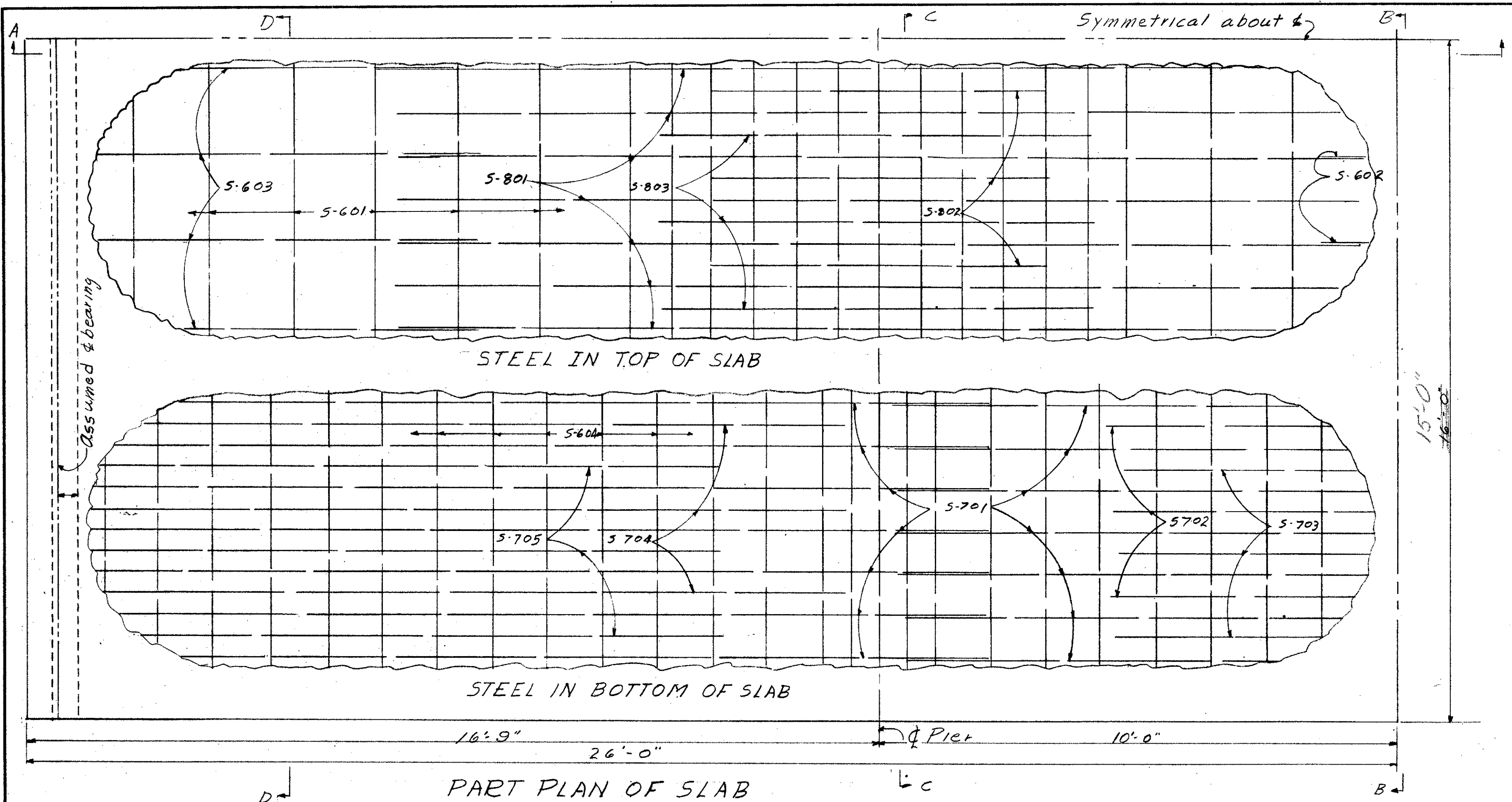
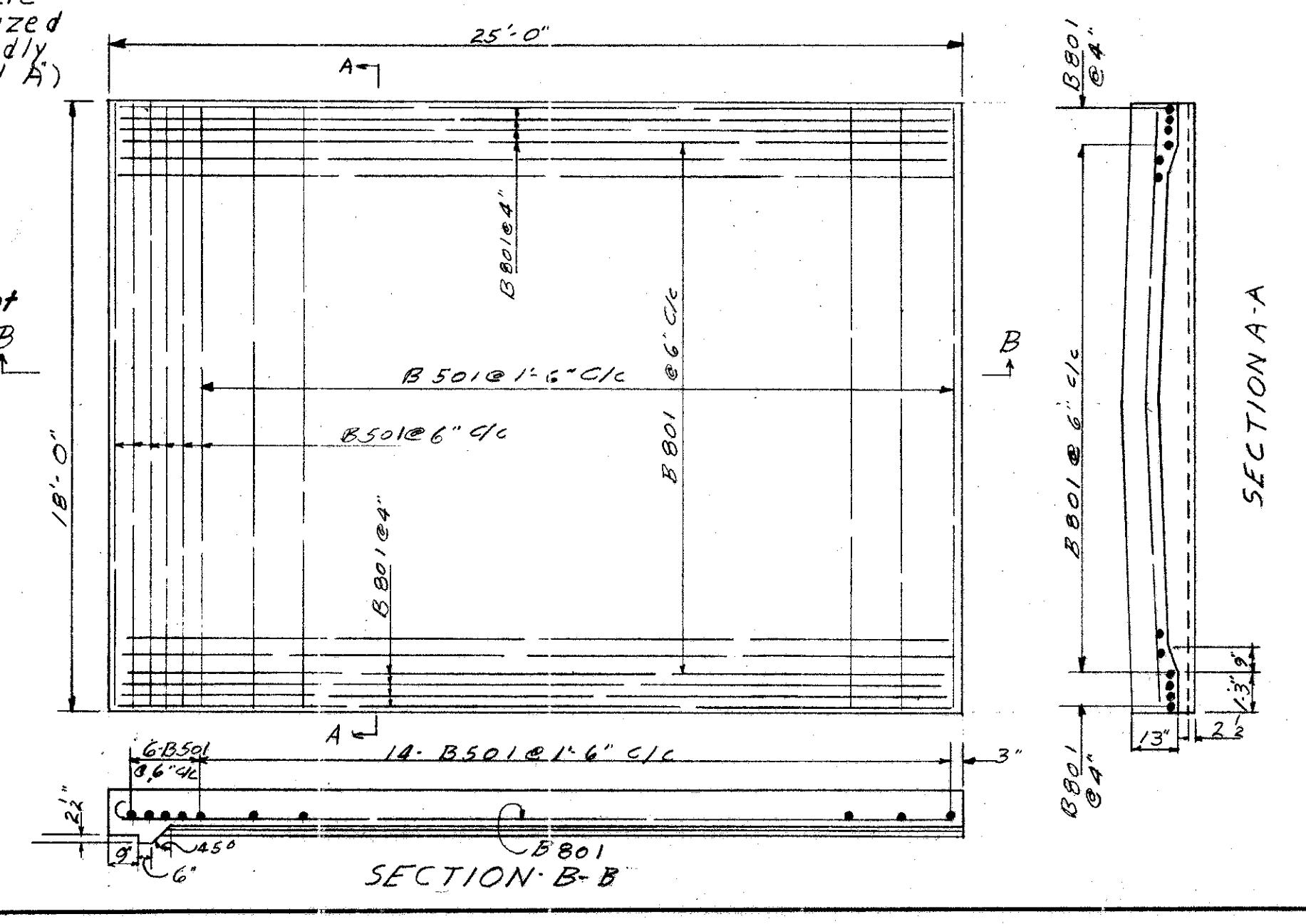
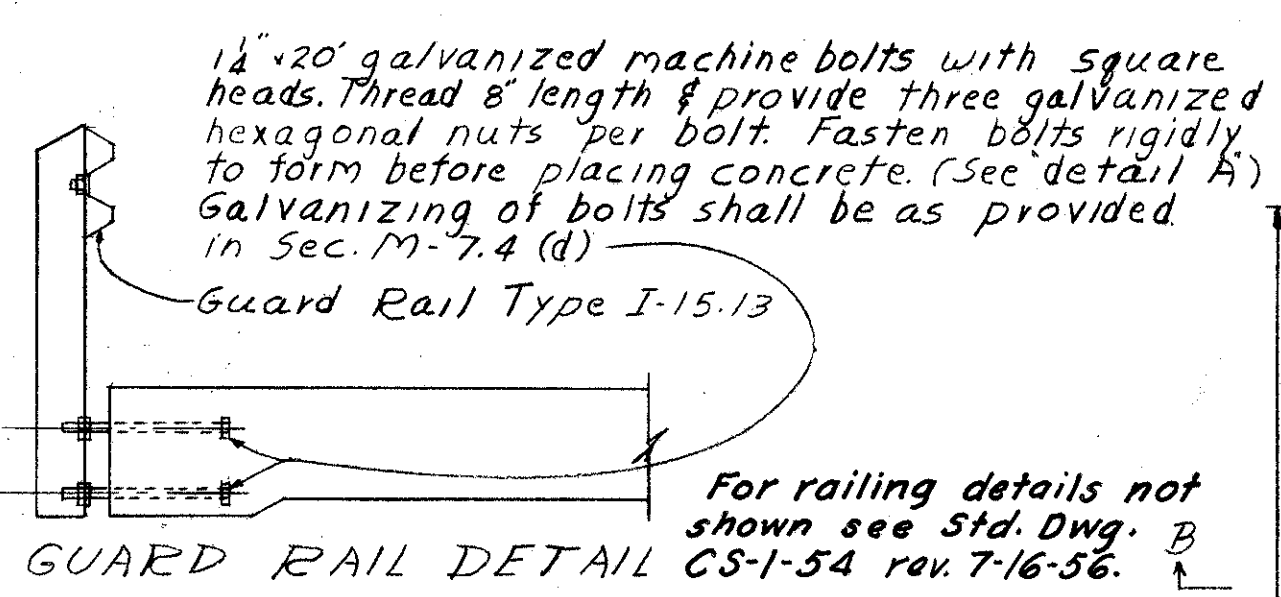
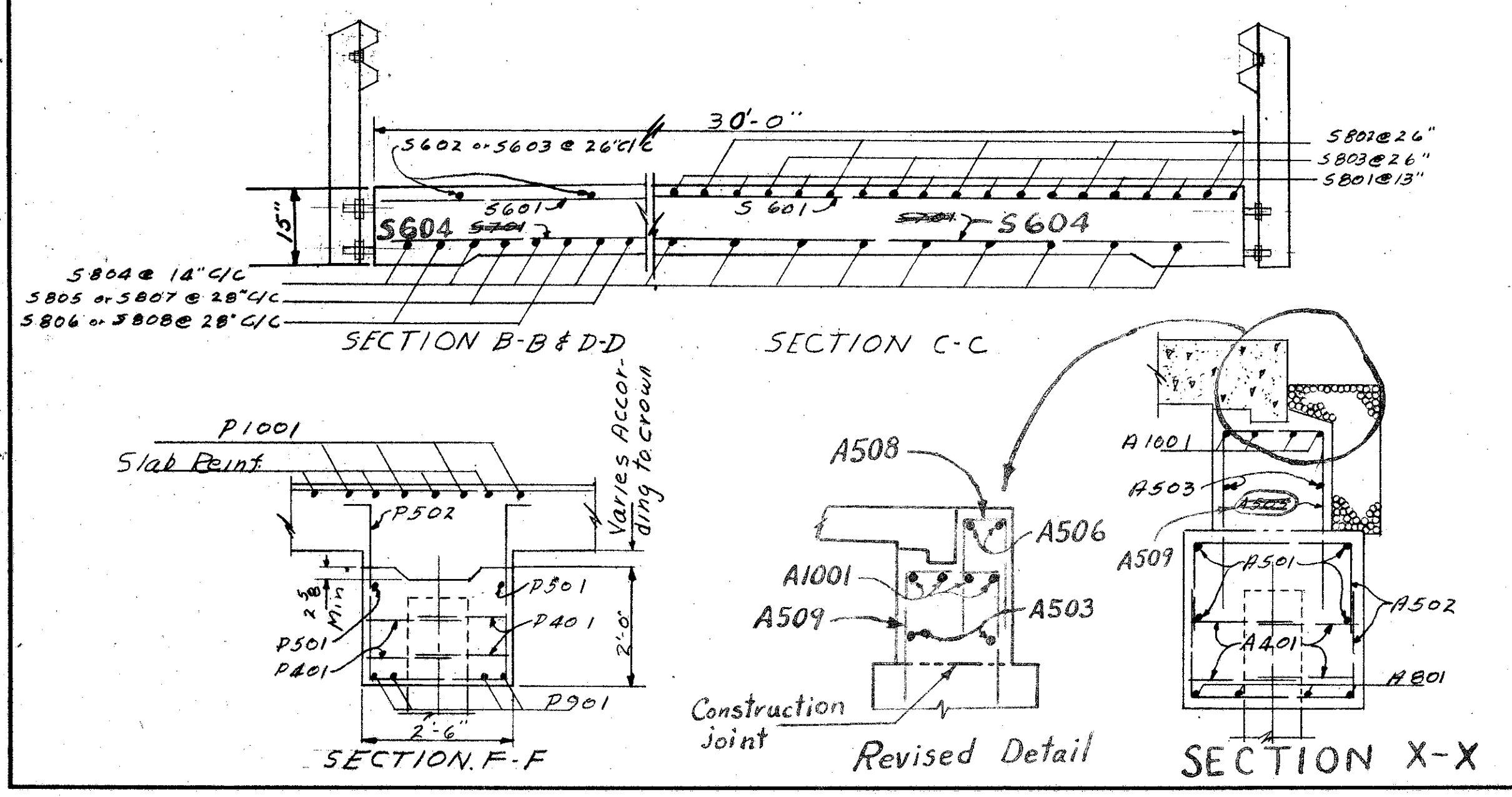


LAKE COUNTY  
SEC. LAK-2-7.39



12" Including 1" Monol. this Wearing Surface



PREPARED BY CAPITOL ENGINEERING ASSOCIATES, DILLSBURG, PA. FOR					
STATE OF OHIO DEPARTMENT OF HIGHWAYS DIVISION OF DESIGN AND CONSTRUCTION BUREAU OF BRIDGES					
BRIDGE DETAILS					
RELOC. VINE ST OVER NEWELL CREEK LAKE COUNTY STA. 99+79.00					
DESIGNED TEB 3-3-58	DRAWN TEB 3-30-58	TRACED	CHECKED	REVISED DATE	REVISED 4-1-59