

MICROFIL
DEC 5 1986

LAKE COUNTY
SEC. LAK-2-739

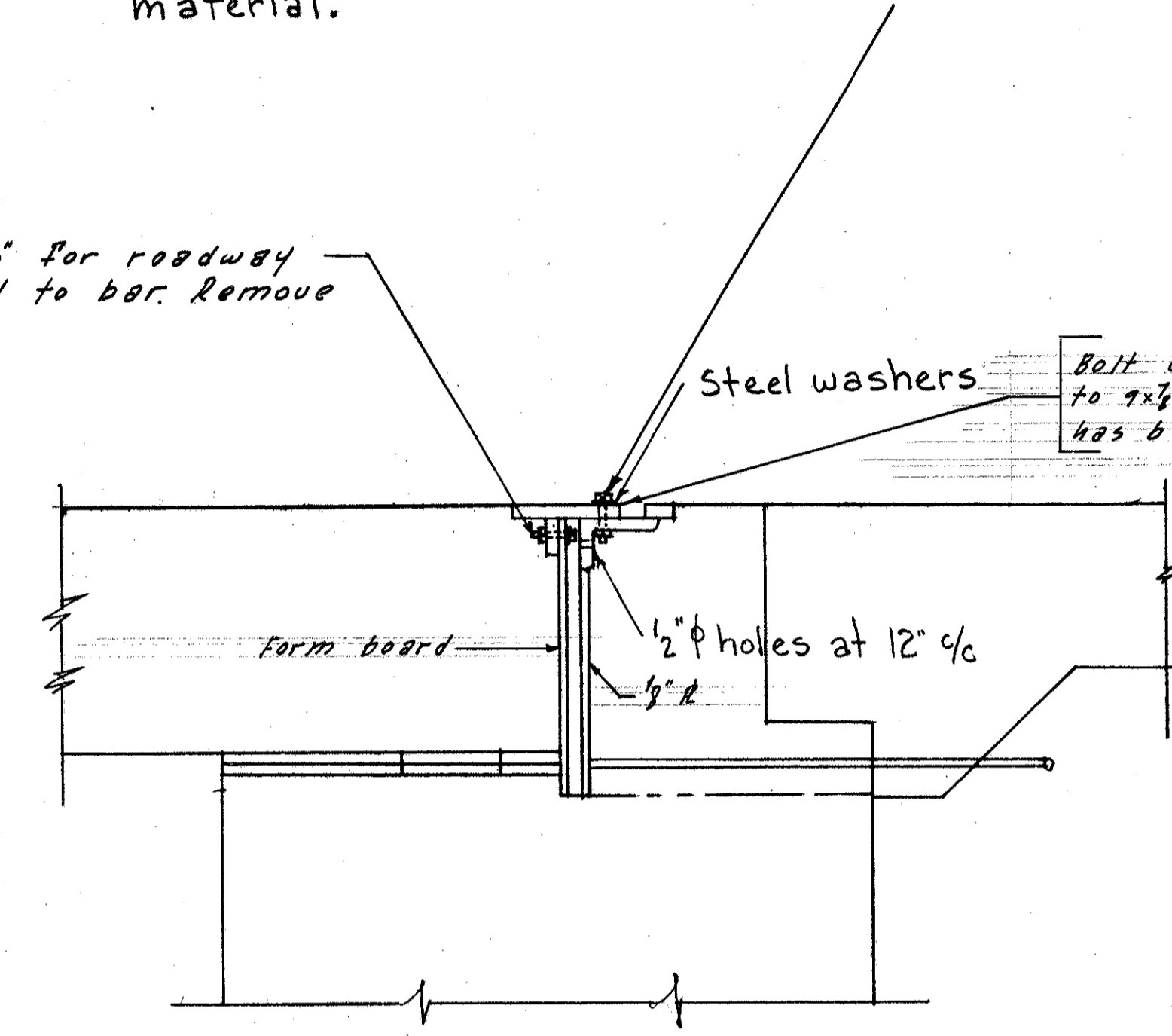
$\frac{5}{8}$ " x 2" bolts at not more than 2'-0" c/c for roadway with nuts tack welded to underside of angle. One inch holes in plates. Center 5/8" bolts in 1" holes. Apply flake graphite between washers & plate. Turn bolt tight and release one-half turn. Remove bolts as soon as concrete has set, preferably within two hours, to avoid effect of temperature expansion or contraction of superstructure. Fill holes with bituminous material.

Provide a joint in the edge bar and in the angle on the center line of roadway. Additional joints may be provided at a minimum spacing of 6'-0". Joints shall not be welded.

Omit shop coat on all portions of end finish. Portions in contact with steel or concrete shall not be painted. All other portions shall be cleaned and given the shop coat in the field, as well as the two field coats.

Structural steel in end finish is included in Item S-9 for payment.

$\frac{5}{8}$ " x 2" bolts at 1'-6" for roadway with nuts welded to bar. Remove bolts with forms.

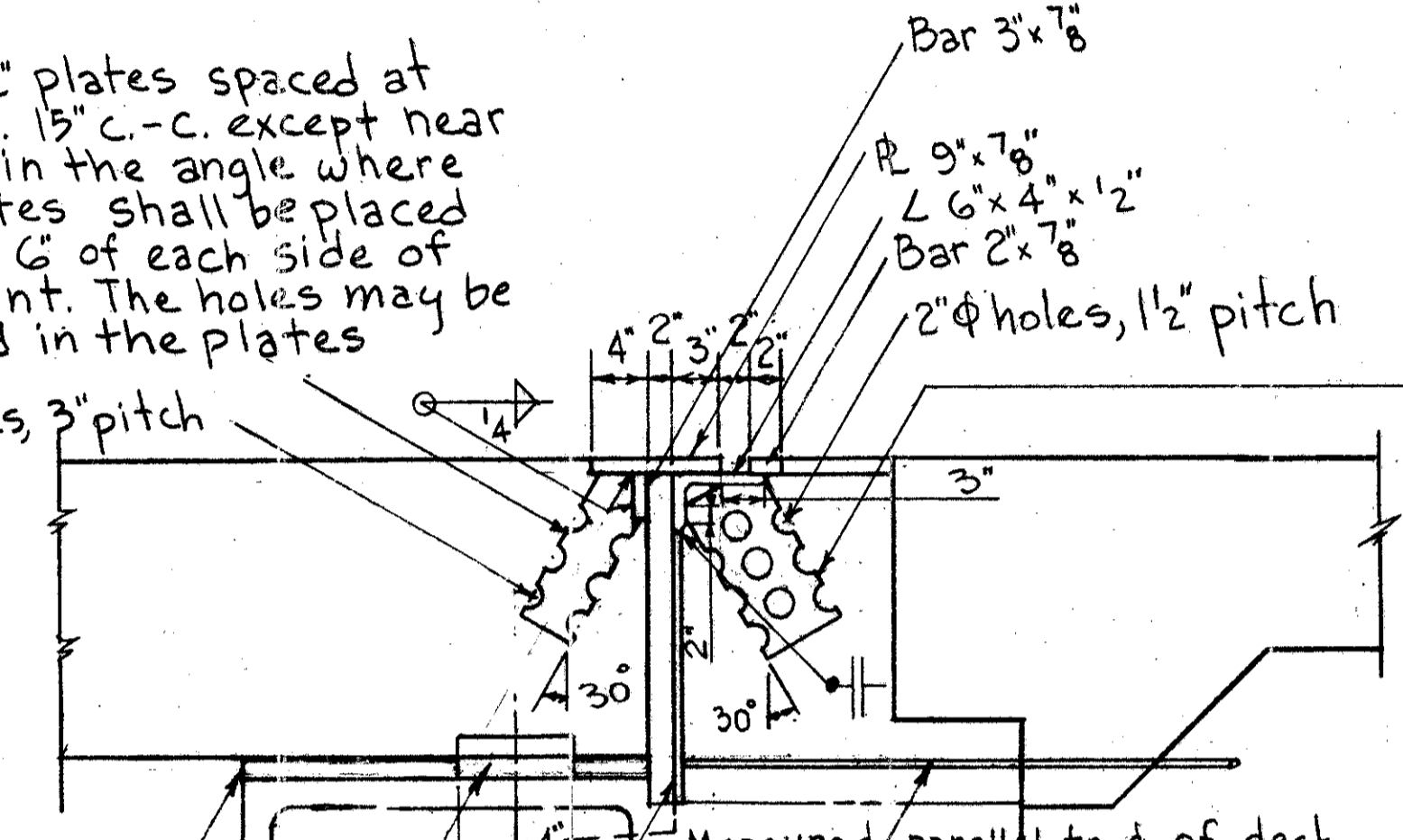


END FINISH CONSTRUCTION DETAILS

Bolt 6x4x1/2 backwall angle to 1x1/2" R. after deck slab has been placed.

4"x1/2"x12" plates spaced at approx. 15" c.-c. except near joints in the angle where the plates shall be placed within 6" of each side of the joint. The holes may be burned in the plates

2" holes, 3" pitch



6"x1/2"x12" plates (spacing & details similar to 4"x1/2"x12" plates on opposite side of joint)

1-Layer 1/4" preformed expansion joint filler around each pair of plates, Item S-9

5-A515 @ 4 1/2" under each pr. of plates

2- 8"x4"x8" rolled bronze sliding plates, Item S-9

1/4" x 26" threaded end @ 1'-6" c/c, notch to break off 1" below concrete surface after use

ROADWAY END FINISH DETAILS

Note:

Use a Curb Plate at the end dam as shown on Sheet three, 3, of Standard Drawing CSB-2-56, Revised 3-1-58, except the plate shall not be bent.

Revised 1-21-59

PREPARED BY CAPITOL ENGINEERING ASSOCIATES, DILLSBURG, PA. FOR						
STATE OF OHIO DEPARTMENT OF HIGHWAYS DIVISION OF DESIGN AND CONSTRUCTION BUREAU OF BRIDGES						
END FINISH DETAILS BRIDGE NO. LAK-2-1006 RELOC. SR2 OVER SR 615 LAKE COUNTY STA. 402+61.96						
DESIGNED	DRAWN	TRACED	CHECKED	REVISED	DATE	REVISED