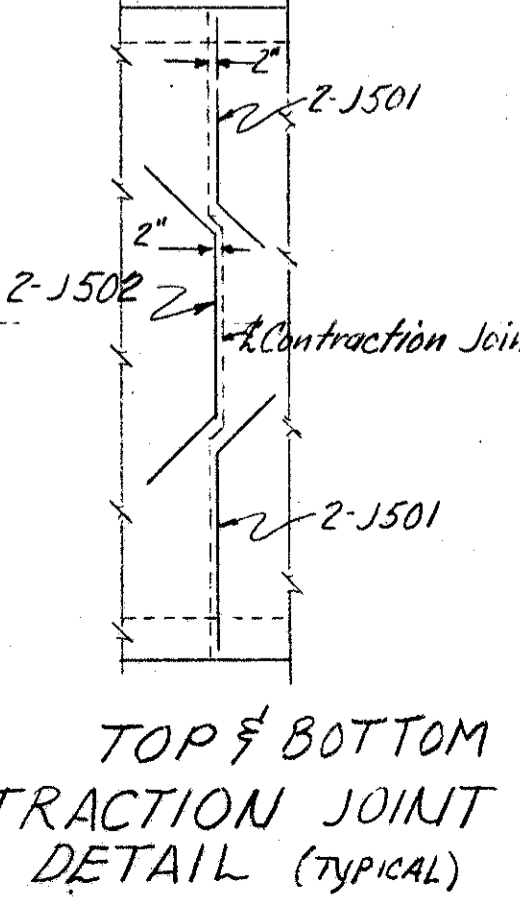
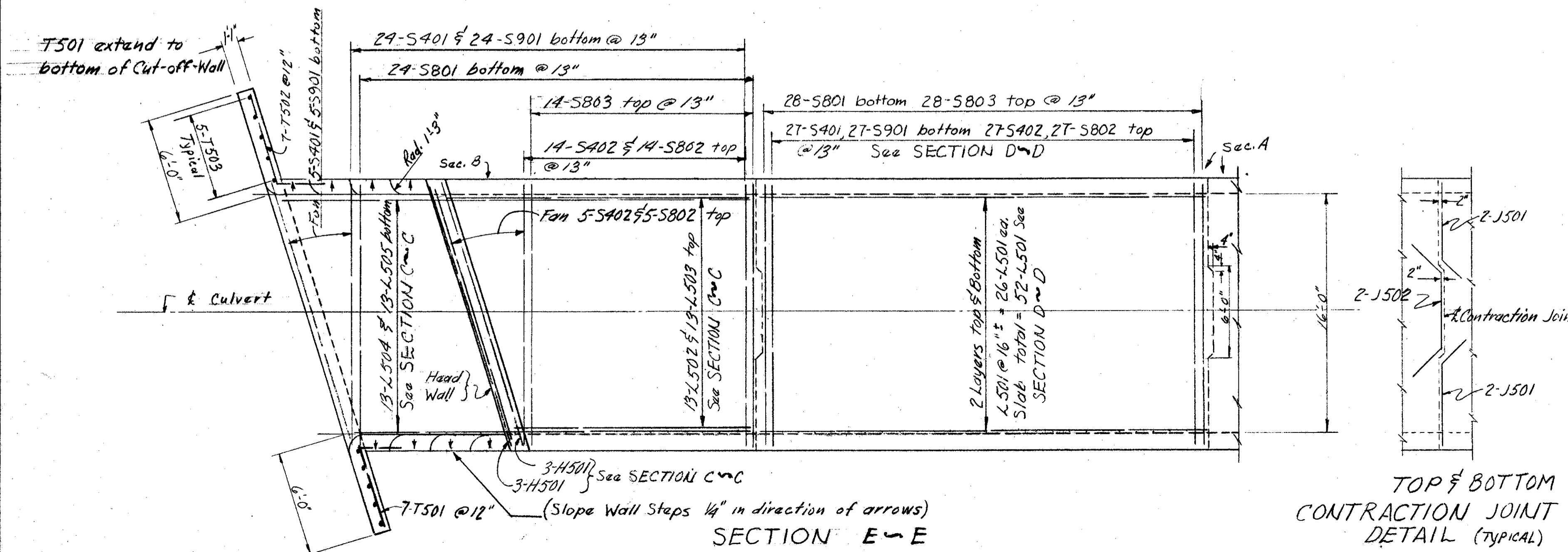
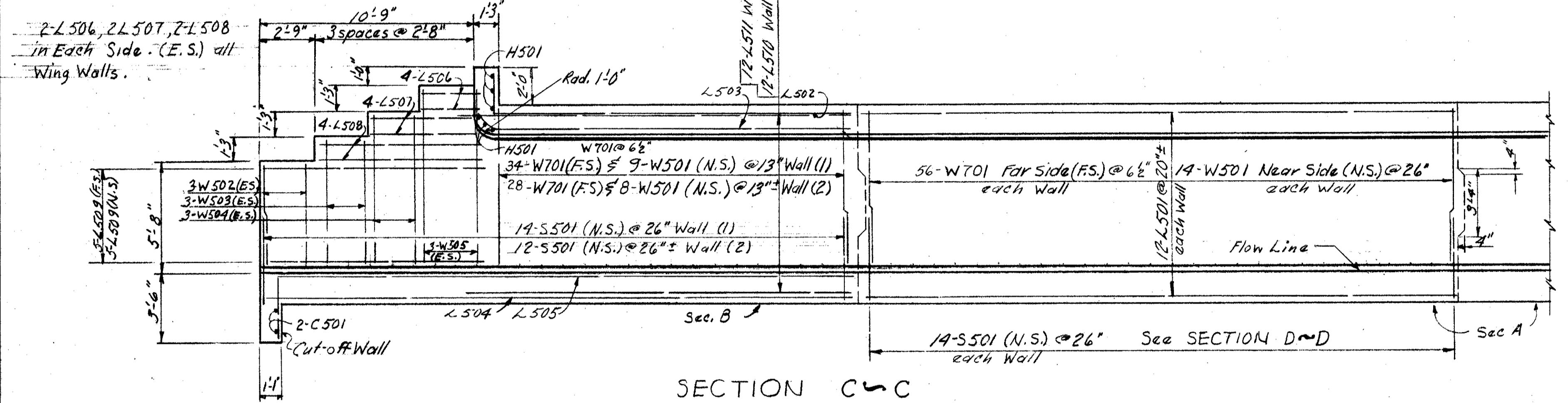
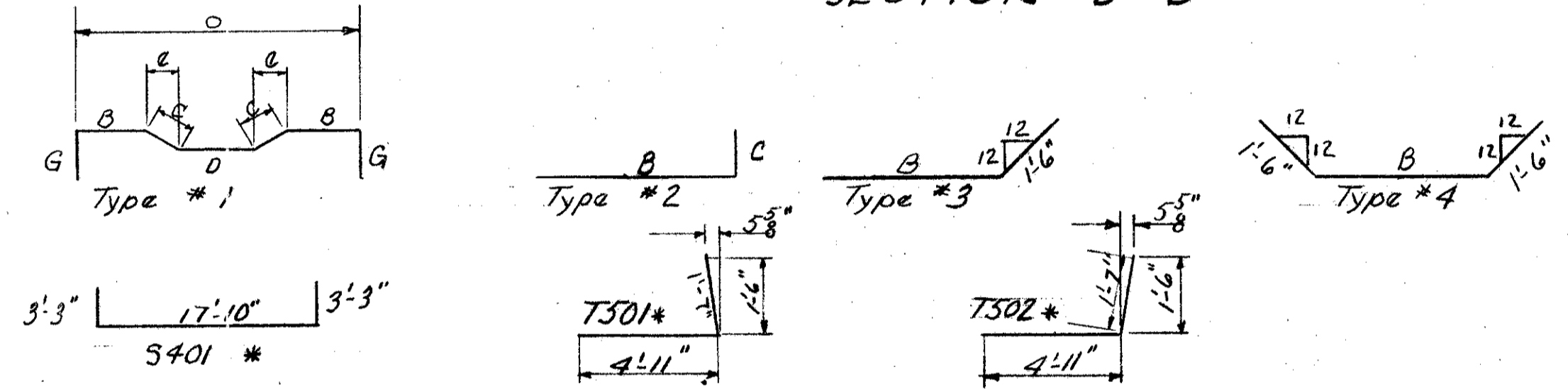
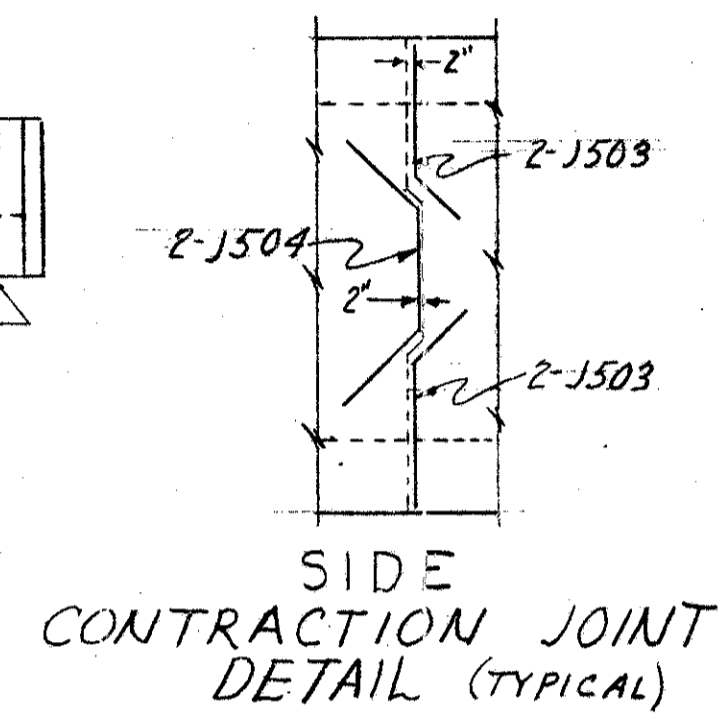
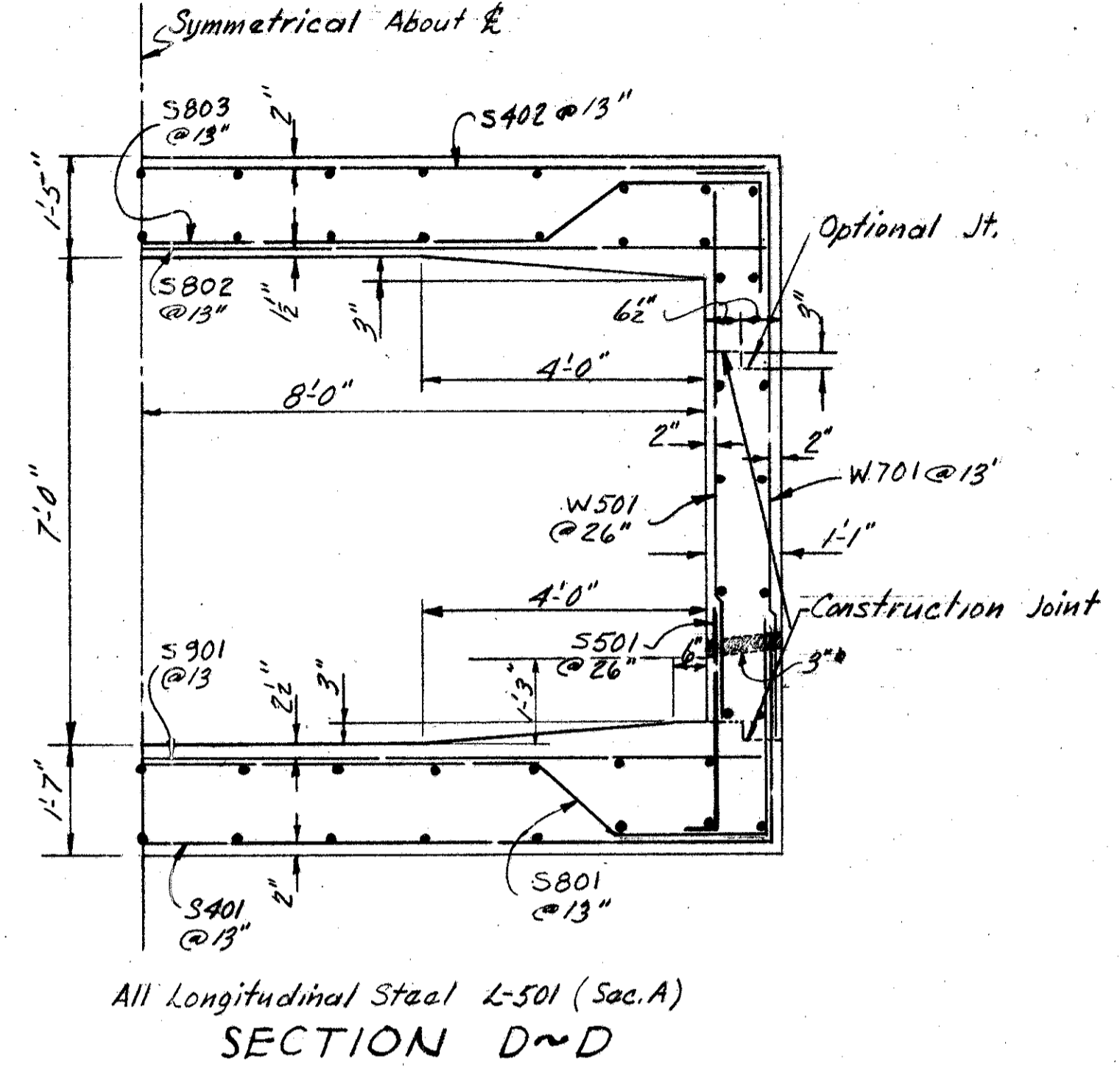
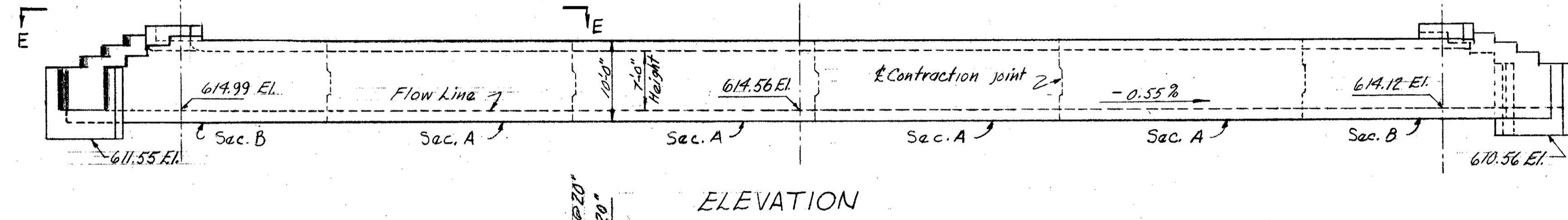
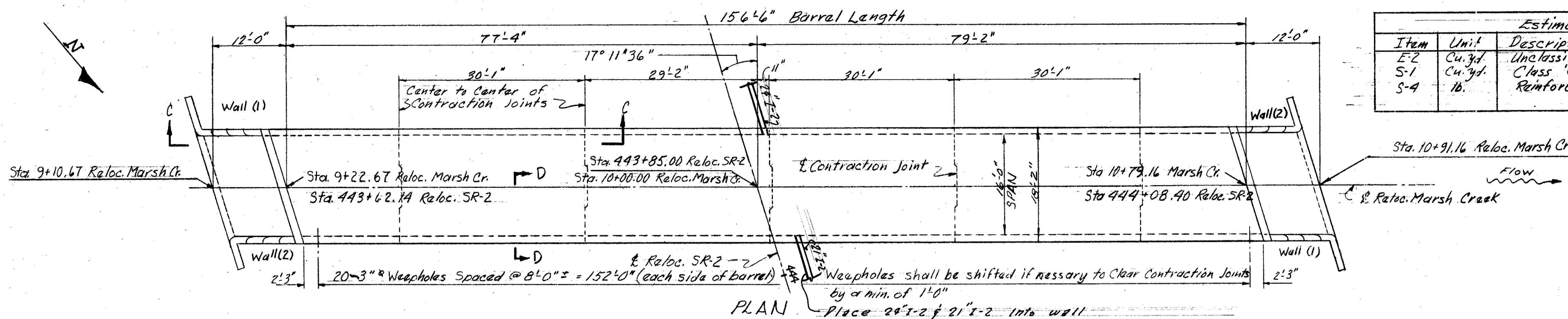


MICROFIL  
DEC 5 1986

LAKE COUNTY  
SEC. LAK-2-739  
SHEET 235 NOT USED

Item	Unit	Description	Total
E-2	cu. yd.	Unclassified Excavation	120
S-1	cu. yd.	Class "C" Concrete	537
S-4	lb.	Reinforcing Steel	72,622



Mark	N <sup>o</sup>	Length	Weight	Type	B	C	D	E	G	O	Mark	N <sup>o</sup>	Length	Weight	Type	B
S401	166	24'-1"	2671	*							J501	40	7'-7"	295	#3	5'-8"
S402	146	17'-10"	1739	Str.							J502	20	8'-8"	350	#4	5'-8"
S501	164	4'-8"	799	#2	3'-9"	1'-0"					J503	40	4'-5"	185	#3	3'-10"
S801	160	26'-6"	11,321	#1	2'-1"	1'-7 7/8"	1'-5"	1'-1 1/2"	4'-1"	17'-10"	J504	20	5'-0"	235	#4	3'-10"
S802	146	17'-10"	6,950	Str.												
S803	140	21'-0"	7,850	#1	2'-1"	1'-5 3/4"	1'-7"	1'-0 1/2"	1'-4 3/4"	17'-10"						
S901	166	17'-10"	10,064	Str.												
W501	146	7'-10"	1,192	Str.												
W502	24	5'-3"	132	Str.												
W503	24	6'-3"	157	Str.												
W504	24	7'-3"	182	Str.												
W505	24	8'-3"	207	Str.												
W701	572	9'-0"	13,745	#2	8'-2"	1'-0"										
L501	304	29'-9"	9,433	Str.												
L502	2	Series of 18'-26" to 26'-6"	542	2	18'-7"	2'-0"	increments of 5"									
L503	2	Series of 13'-26" to 22'-0"	530	2	13'-7"	2'-0"	increments of 5"									
L504	2	Series of 13'-26" to 22'-0"	805	2	13'-7"	3'-4"	increments of 5"									
L505	2	Series of 13'-26" to 22'-0"	906	2	13'-7"	3'-4"	increments of 5"									
L506	16	3'-6"	58	Str.												
L507	16	6'-3"	104	Str.												
L508	16	9'-0"	150	Str.												
L509	40	12'-0"	500	Str.												
L510	24	24'-0"	601	Str.												
L511	24	19'-0"	476	Str.												
H501	72	18'-3"	229	Str.												
C501	4	28'-3"	118	Str.												
T501	14	6'-5"	94	*												
T502	14	6'-5"	94	*												
T503	20	9'-0"	188	Str.												

First digit in bar Mark indicates bar size Example L501 is a #5 bar.

PREPARED BY  
CAPITOL ENGINEERING ASSOCIATES, DILLSBURG, PA.  
FOR  
STATE OF OHIO  
DEPARTMENT OF HIGHWAYS  
DIVISION OF DESIGN AND CONSTRUCTION  
BUREAU OF BRIDGES  
BOX CULVERT  
BRIDGE NO. LAK-2-1030  
RELOC. SR. 2 OVER MARSH CREEK  
LAKE COUNTY  
STA. 443+85

DESIGNED	DRAWN	TRACED	CHECKED	REVISED DATE	REVISED
D.T.					4-1-59