

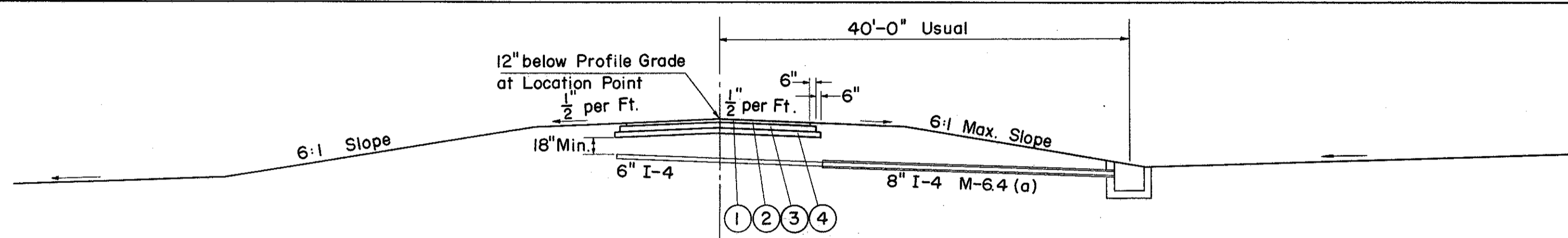
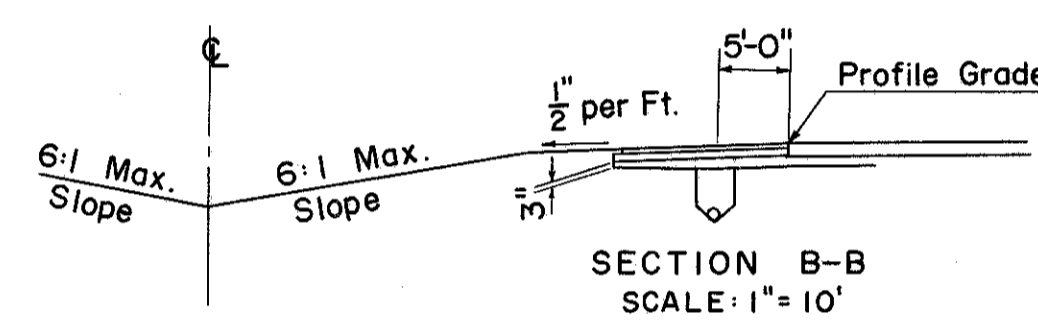
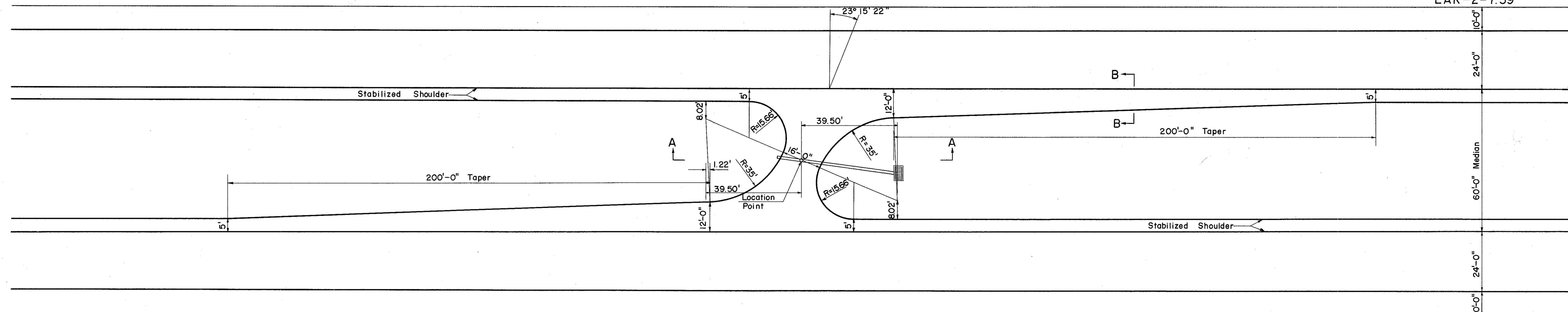
TYPICAL CROSS OVER

| | | | |
|-------------------|-------|------------|--|
| FED. RD. DIVISION | STATE | PROJECT | |
| 2 | OHIO | F-329 (16) | |

227
268

LAKE COUNTY
LAK-2-7.39

SCALE: 1" = 20'-0"



- ① T-31 Bituminous Surface Treatment
- ② B-33 3" Bituminous Macadam Base Course
- ③ I-18 5" Stabilized Crushed Aggregate
- ④ I-22 6" Subbase

