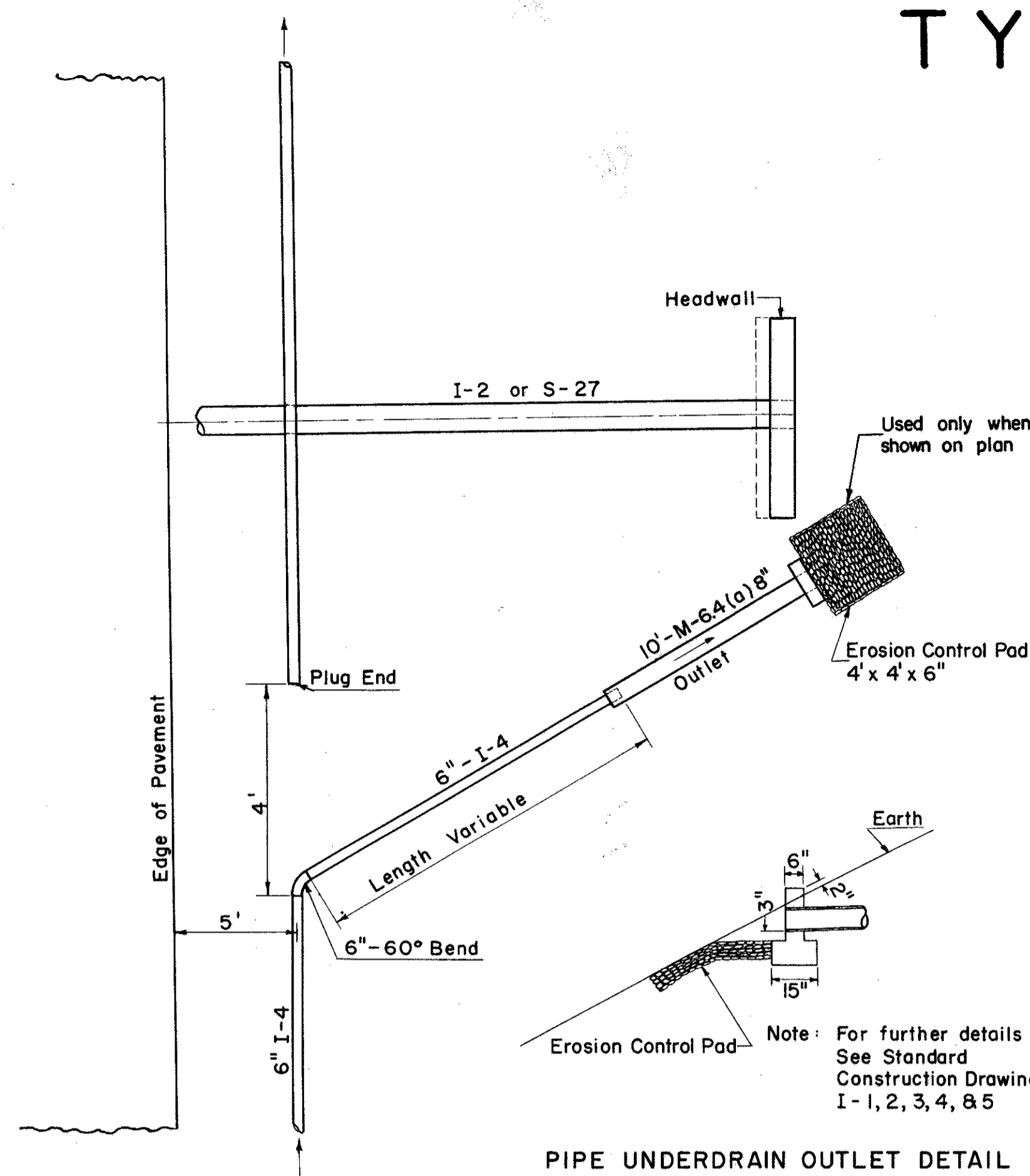


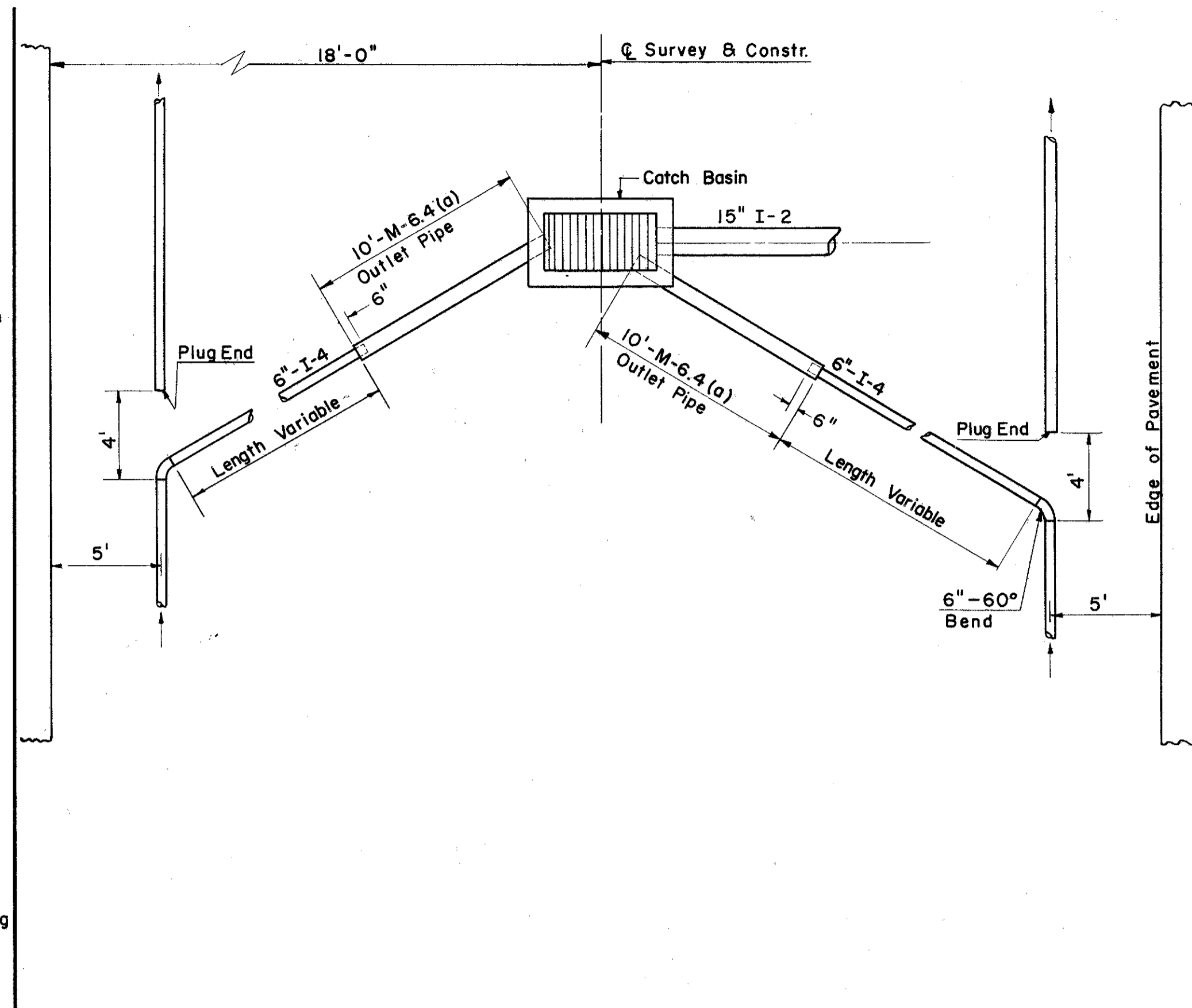
# TYPICAL DETAILS I-4 & I-2

FED. RD. DIVISION	STATE	PROJECT	226
2	OHIO	F-329 (16)	268

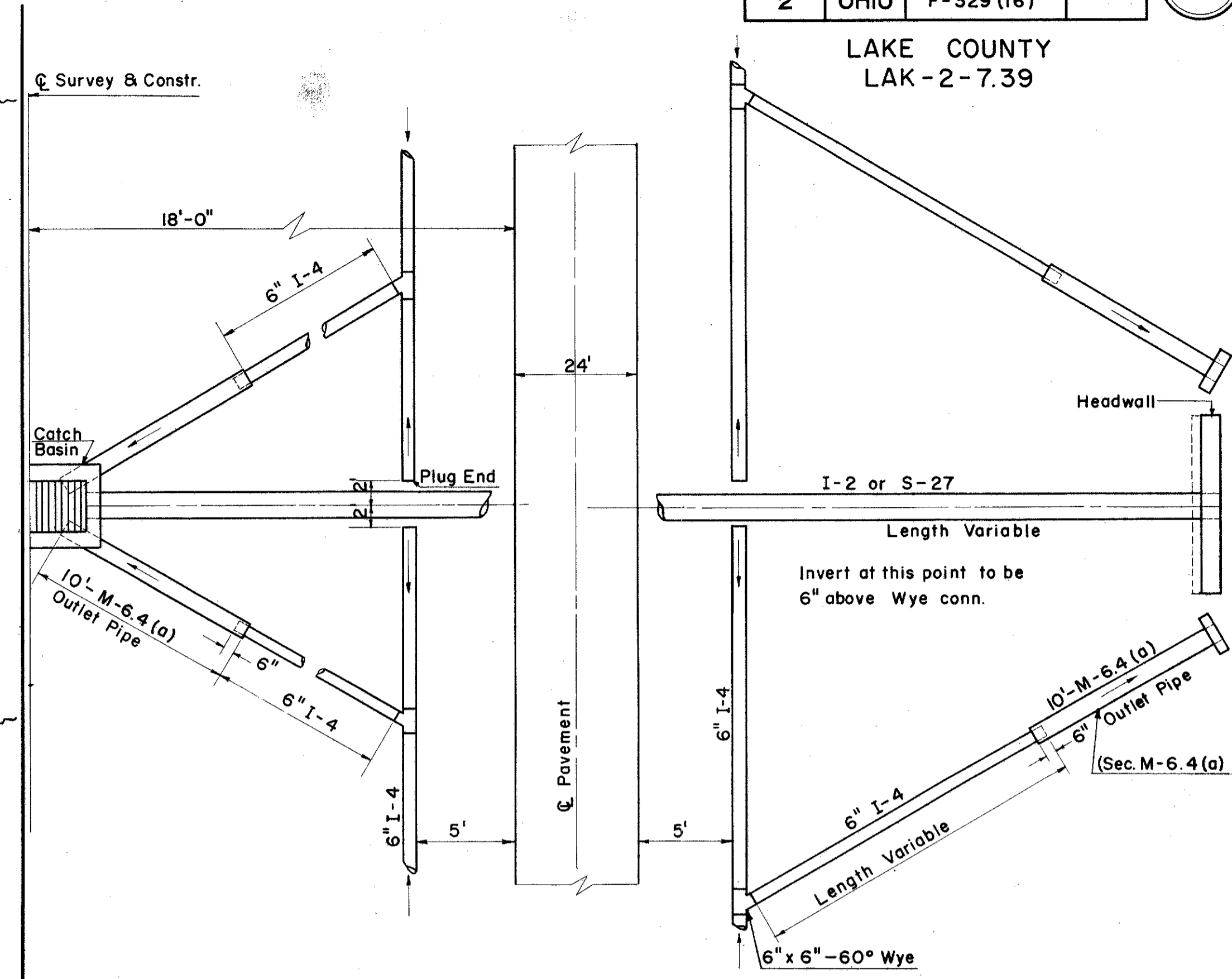
LAKE COUNTY  
LAK-2-7.39



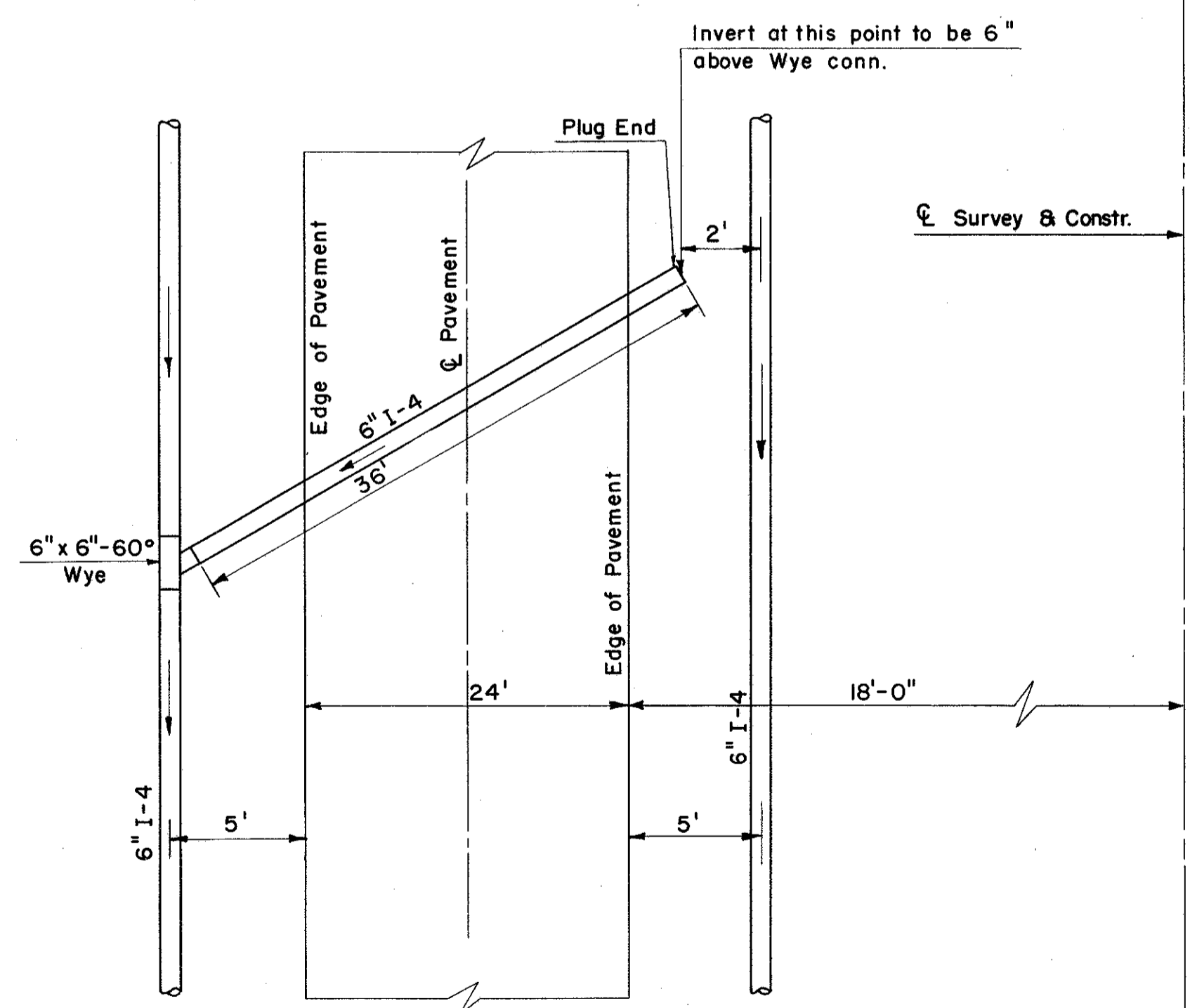
UNDERDRAIN OUTLET DETAIL A



UNDERDRAIN OUTLET DETAIL B

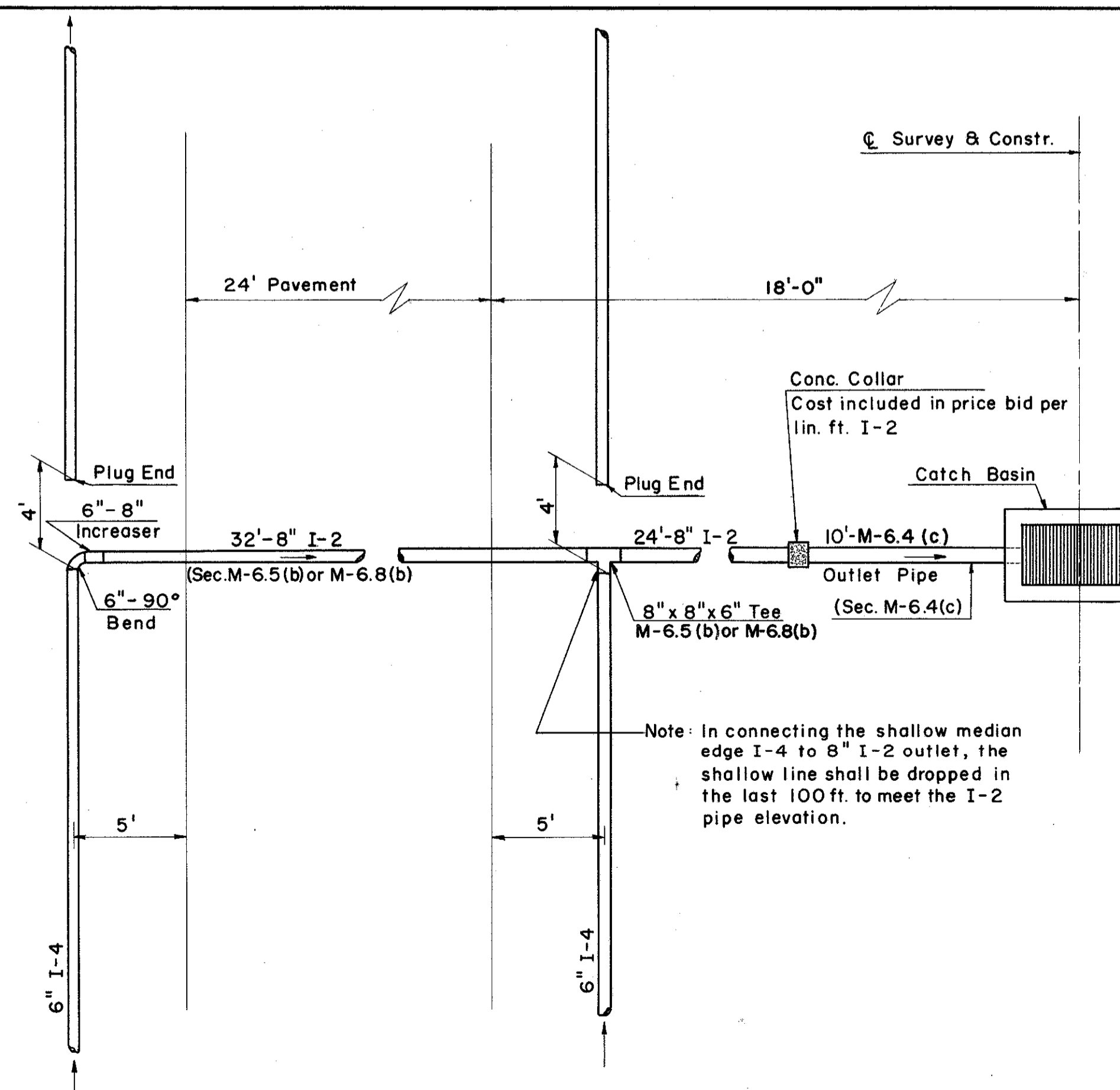


UNDERDRAIN OUTLET DETAIL C

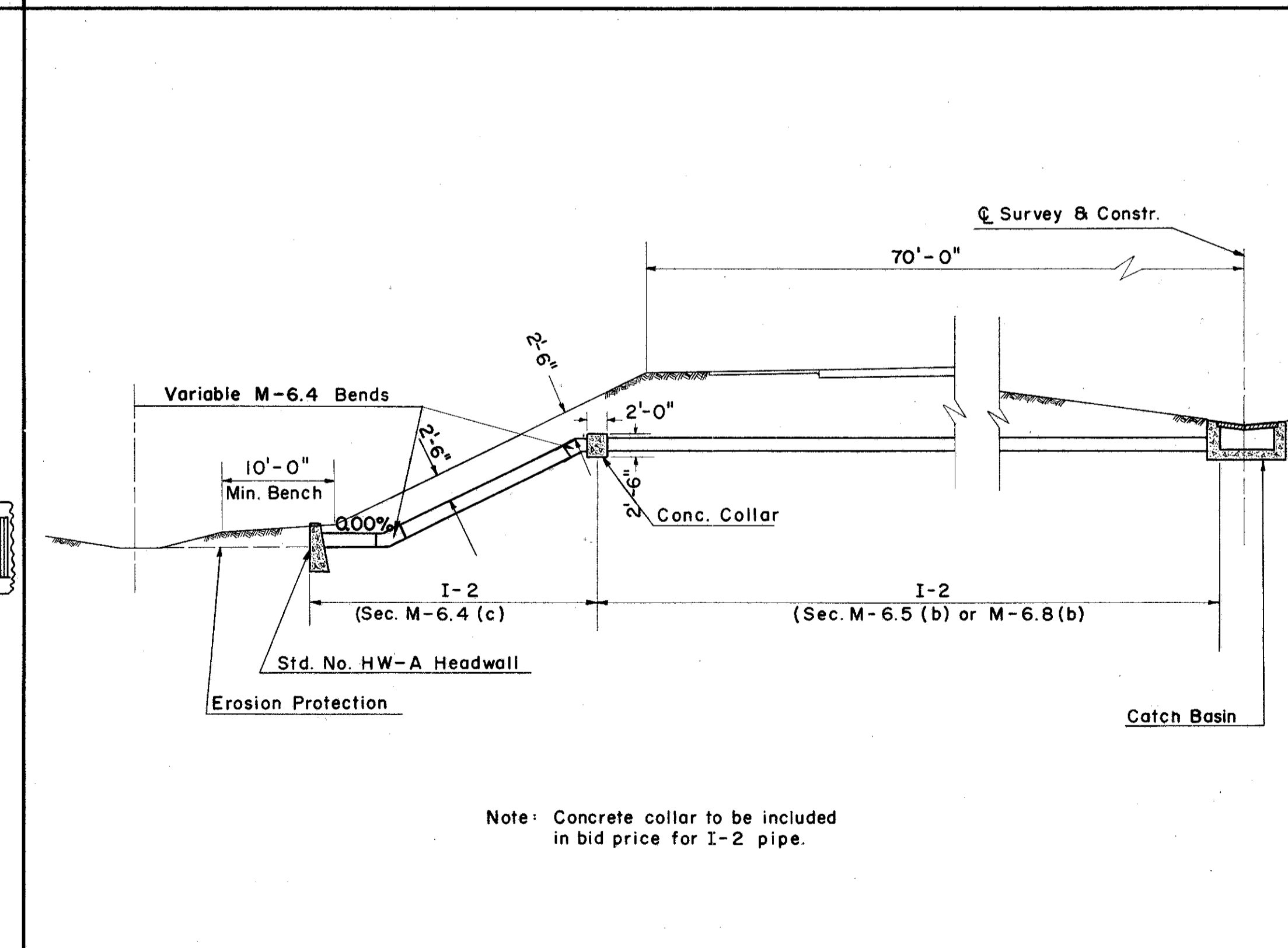


DETAIL I-4 CROSSOVER

CUT TO FILL SECTION



UNDERDRAIN OUTLET DETAIL E



MEDIAN OUTLET DETAIL IN HIGH FILL