

AREA = 3391 AC.  
Q25 = 990 C.F.S.

HEADWATER = 9.15 FT.  
OUTLET VELOCITY = 10.3 FPS.

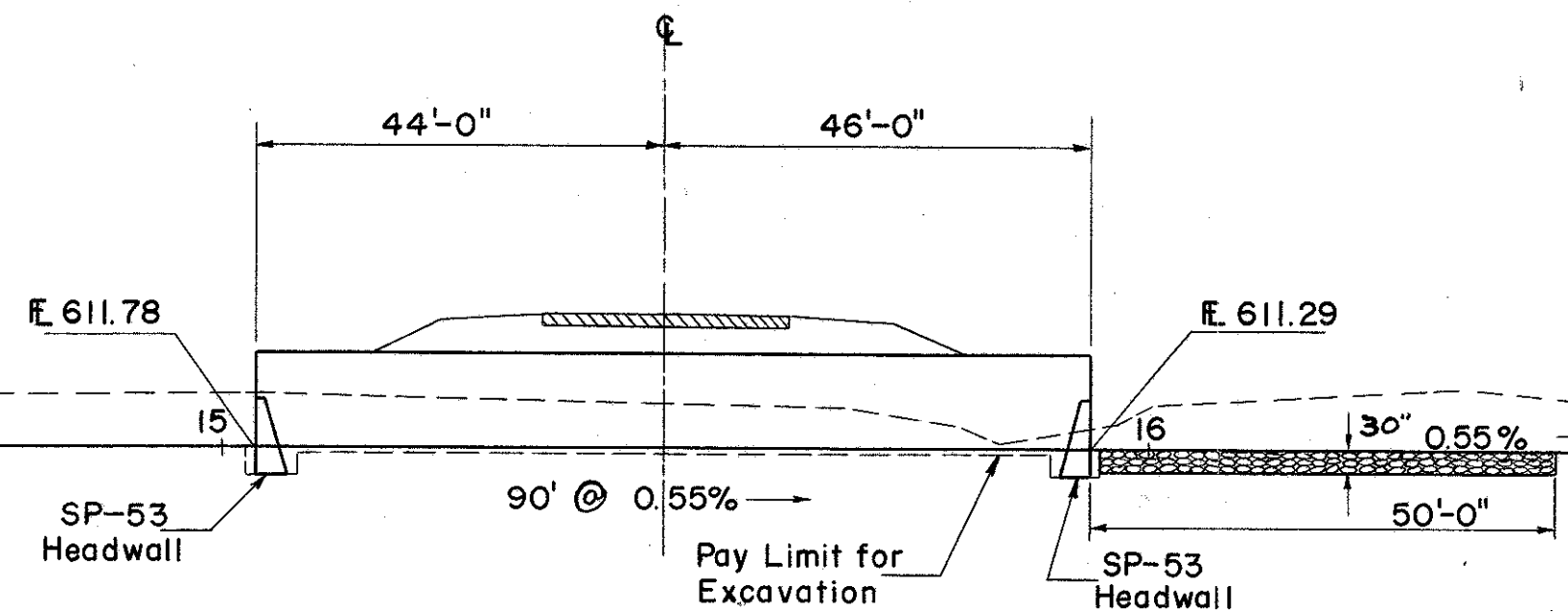
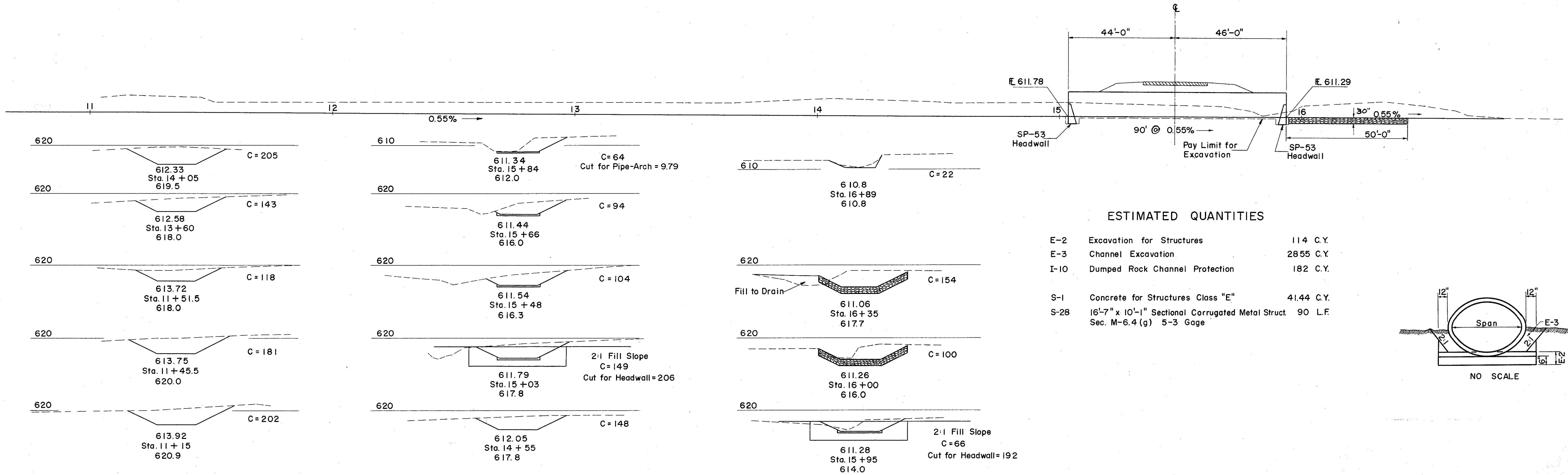
**CULVERT DATA**

TYPE: Multiplate Arch  
 SIZE: 16'-7" x 10'-1"  
 WORK REQUIRED: Build a 16'-7" x 10'-1" Pipe Arch Culvert with SP-53 Headwalls Rt. and Lt. Place 50' Dumped Rock at Outlet as shown To Depth of 4'

ALSO SEE PLAN SHEET NO. 190

NOTE: Excavation quantities estimated as specified on Std. Drawing No. SP-53. Channel Excavation through Culvert based on 16'-7" bottom with 2:1 side slopes. Structure excavation based on 6" depth and 18'-7" width.

SCALE: 1" = 20'



**ESTIMATED QUANTITIES**

E-2	Excavation for Structures	114 C.Y.
E-3	Channel Excavation	2855 C.Y.
I-10	Dumped Rock Channel Protection	182 C.Y.
S-1	Concrete for Structures Class "E"	41.44 C.Y.
S-28	16'-7" x 10'-1" Sectional Corrugated Metal Struct. Sec. M-6.4 (g) 5-3 Gage	90 L.F.

