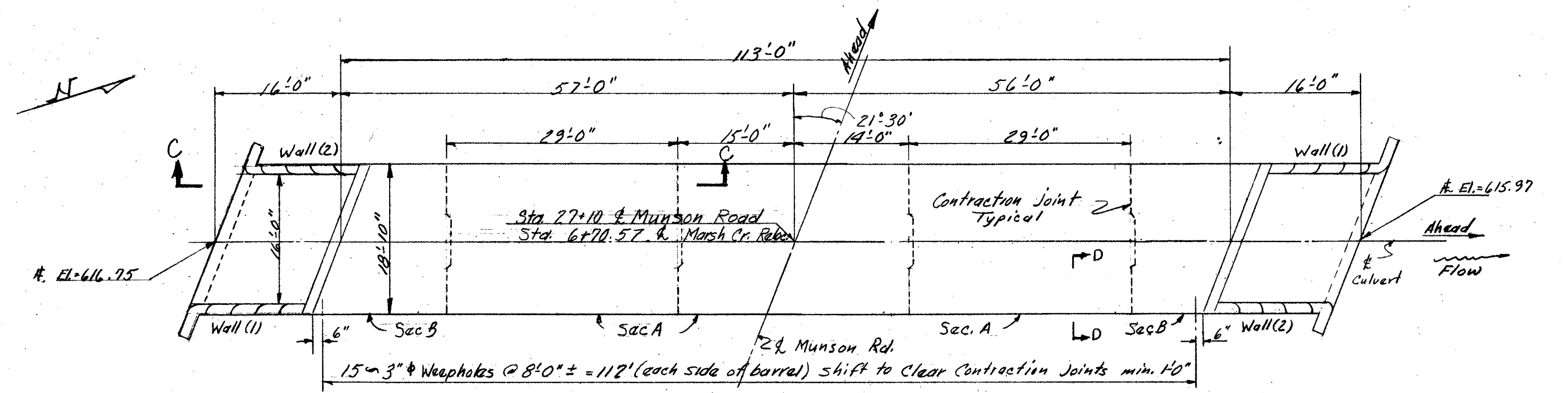
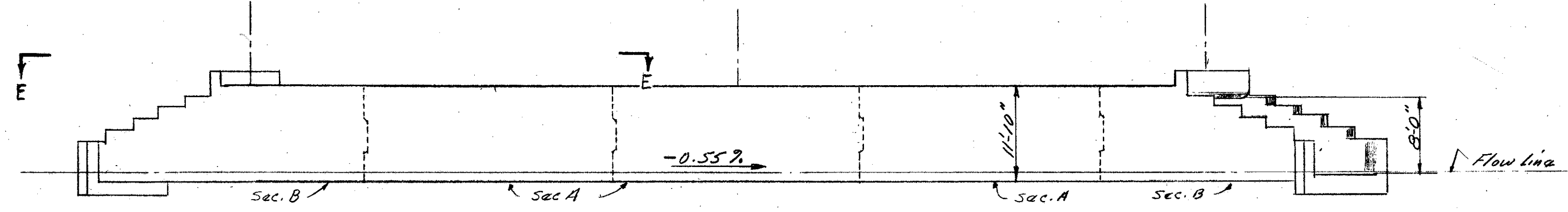


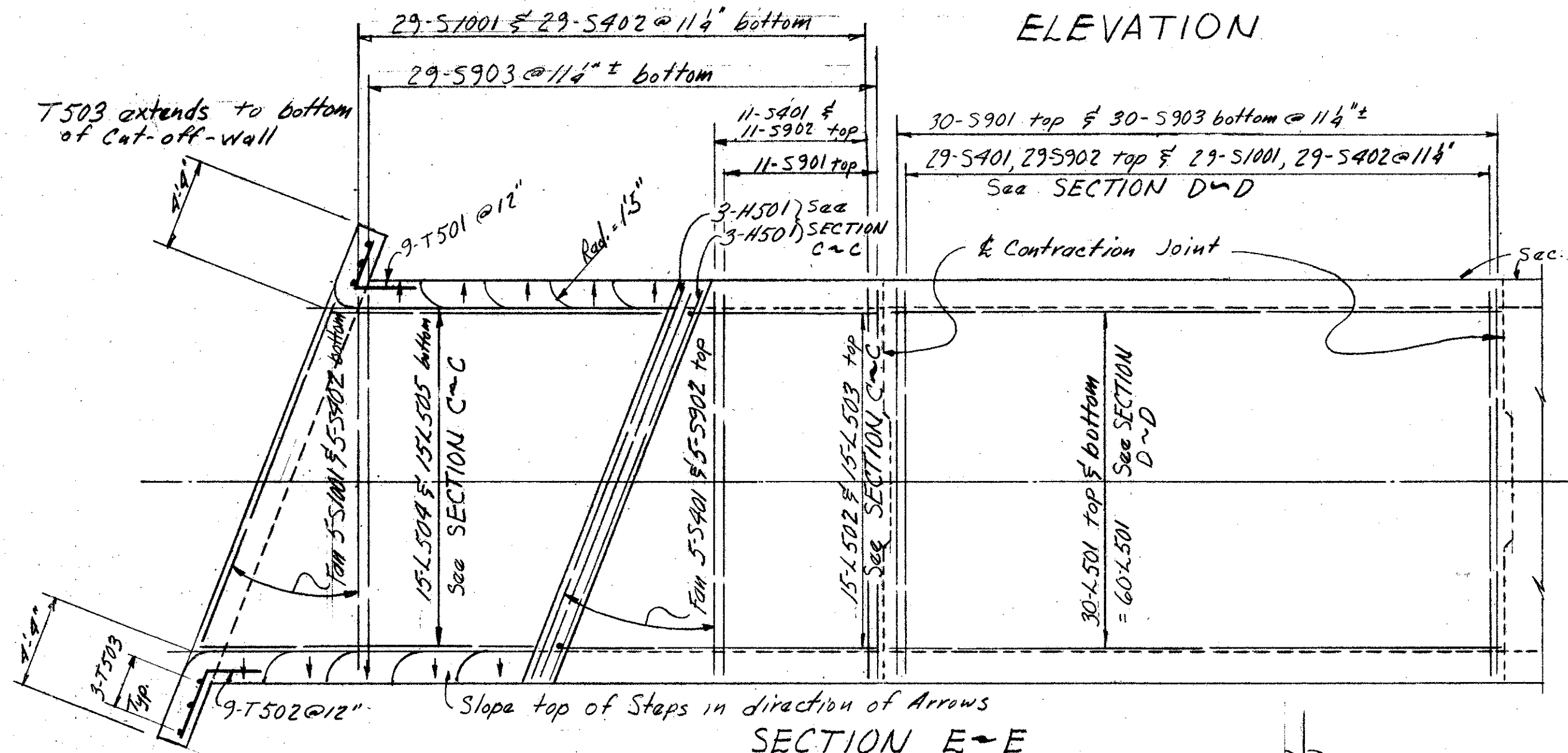
LAKE COUNTY
SEC. LAK-2-7.39



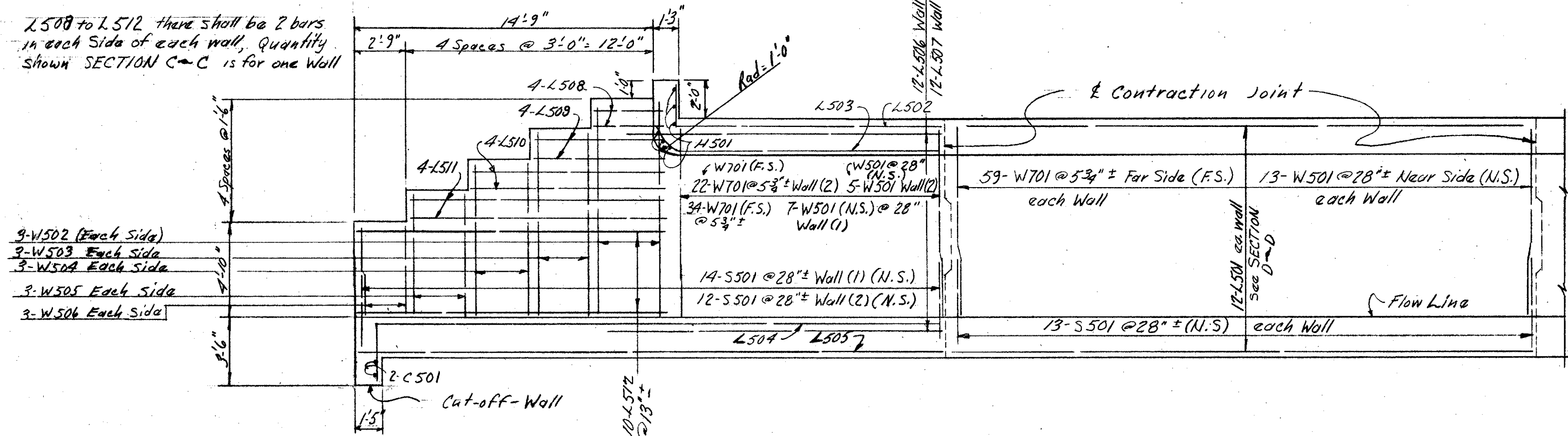
PLAN



ELEVATION

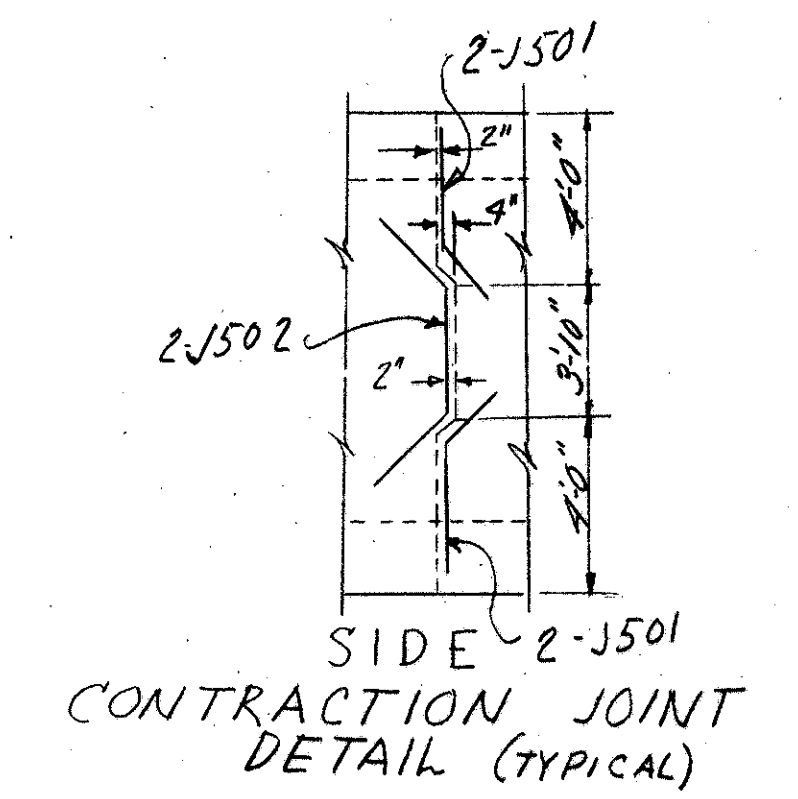


SECTION E-E

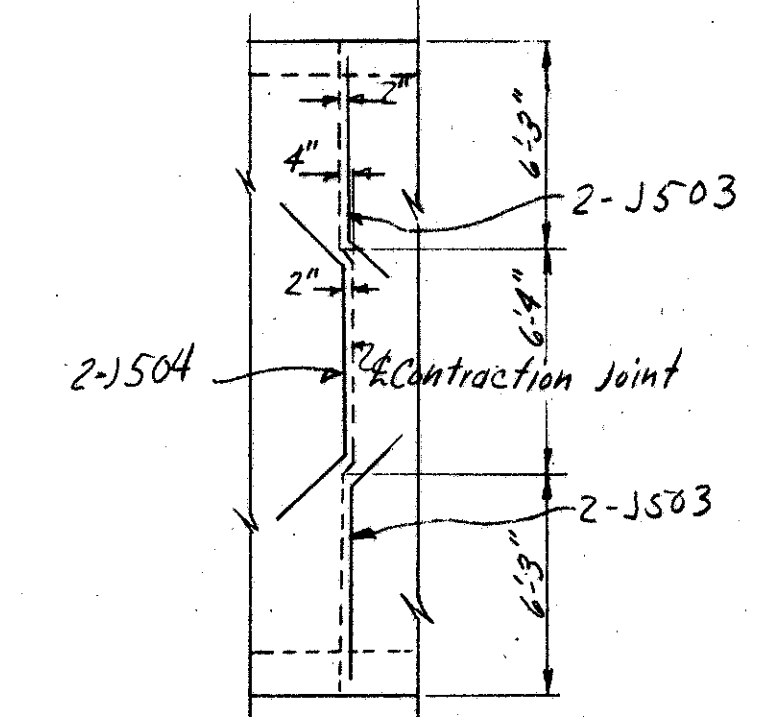


SECTION C-C

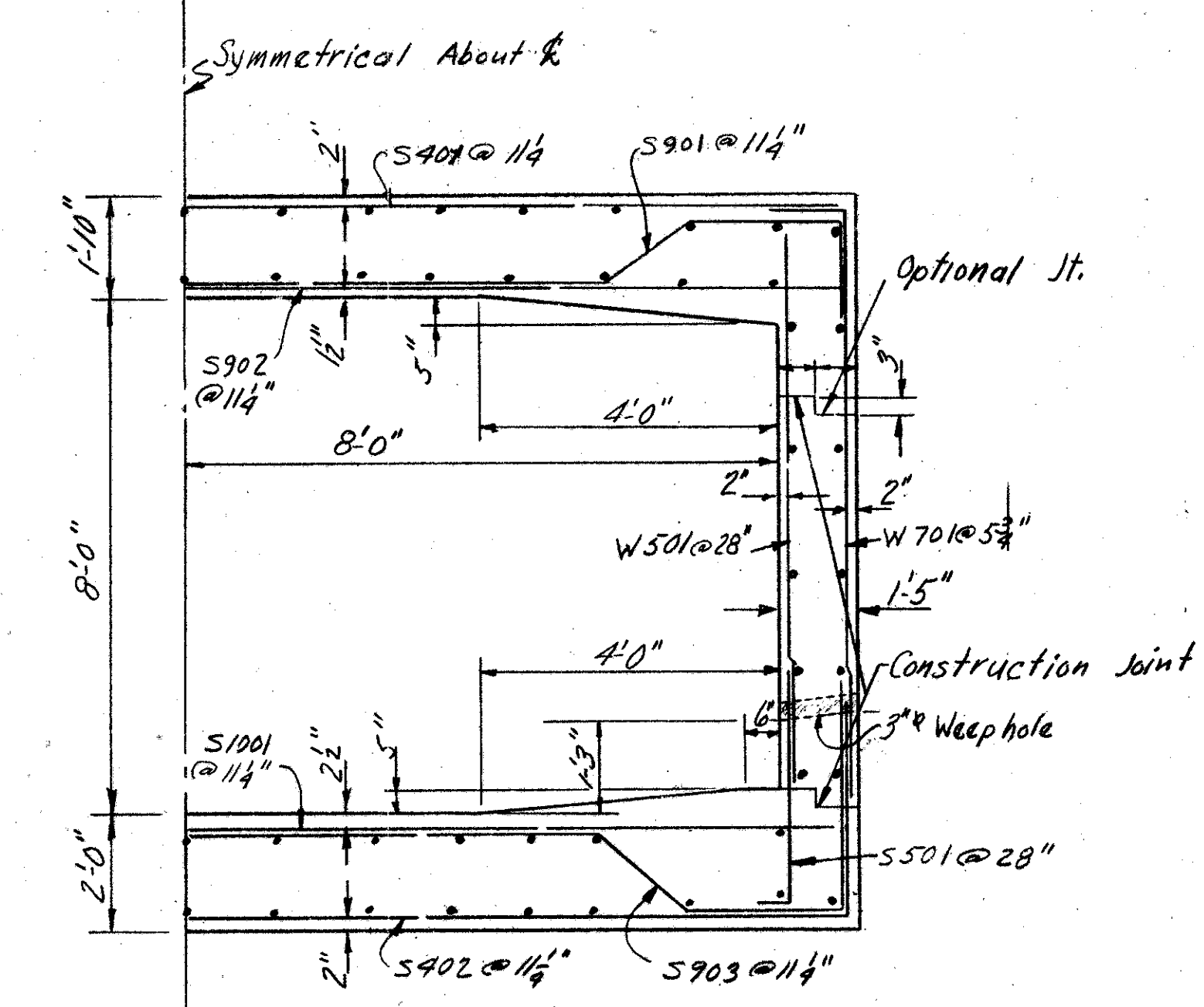
Estimated Quantities			
Item	Unit	Description	Total
E-2	Cu. Yd.	Unclassified Excavation	31
E-3	Cu. Yd.	Channel Excavation	1128
I-10	Cu. Yd.	Dumped Rock	164
S-1	Cu. Yd.	Concrete Class "C"	540
S-4	lb.	Reinforcing Steel	72,594



SIDE 2-J501
CONTRACTION JOINT
DETAIL (TYPICAL)

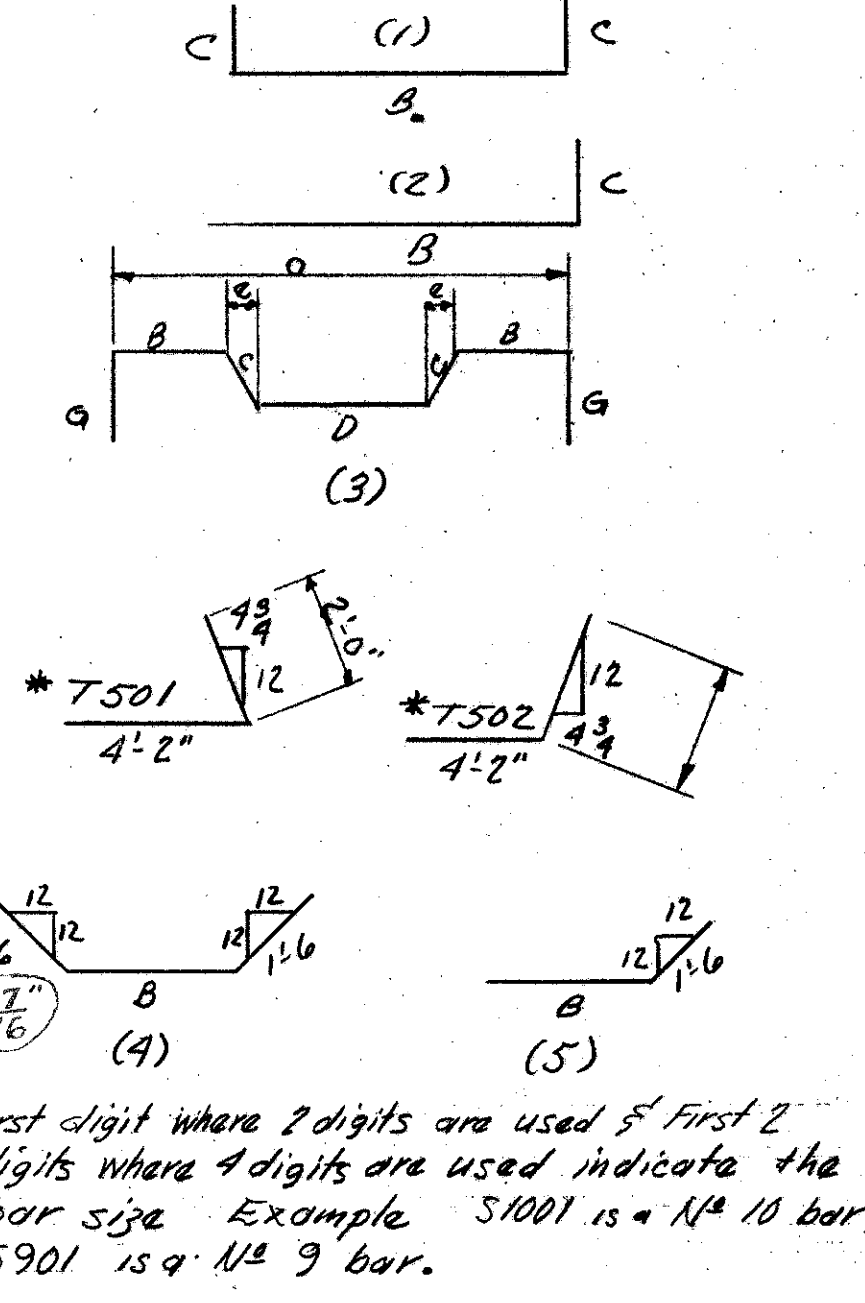


TOP & BOTTOM
CONTRACTION JOINT
DETAIL (TYPICAL)



SECTION D-D

REINFORCING STEEL LIST										
Mark	NR	Length	Weight	type	B	C	D	E	G	O
S401	119	18'-6"	1471	str.						
S402	155	25'-11"	2684	1	18'-6"	3'-10"				
S501	130	5'-3"	712	2	4'-4"	1'-0"				
S901	112	22'-2"	8442	2	2'-2"	2'-0"	11'-3 1/4"	1'-5 1/8"	1'-6"	18'-6"
S902	119	18'-6"	7487	str.						
S903	148	28'-7"	14382	3	2'-2"	2'-2"	11'-1 1/4"	1'-6 3/8"	4'-8"	18'-6"
S101	155	18'-6"	12341	str.						
W501	102	9'-3"	985	str.						
W502	24	10'-6"	263	str.						
W503	24	9'-0"	225	str.						
W504	24	7'-6"	188	str.						
W505	24	6'-0"	150	str.						
W506	24	4'-6"	113	str.						
W701	466	10'-2"	9487	2	9'-4"	1'-0"				
L501	252	28'-0"	7360	str.						
L502	2 series of 15-30	11'-0" to 17'-2"	442	str.						increments of 5'-5"
L503	2 series of 15-30	27'-10" to 33'-5"	947	2	24'-3"	3'-0"				increments of 5'-5"
L504	2 series of 15-30	25'-6" to 31'-10"	897	str.						increments of 5'-5"
L505	24	18'-0"	451	str.						
L506	24	12'-0"	300	str.						
L507	16	7'-0"	117	str.						
L508	16	4'-0"	67	str.						
L509	16	7'-0"	117	str.						
L510	16	10'-0"	167	str.						
L511	16	13'-0"	217	str.						
L512	40	16'-0"	668	str.						
H501	12	19'-10"	248	str.						
C501	4	28'-6"	119	str.						
T501	18	6'-0"	113	*						
T502	18	2'-0"	113	*						
T503	12	8'-0"	180	str.						
J501	32	5'-11"	198	5	4'-6"					
J502	16	6'-1 1/4"	103	4	3'-5"					
J503	32	7'-3"	242	5	5'-10"					
J504	16	8'-1 1/2"	145	4	5'-11"					
				72,594						



PREPARED BY
CAPITOL ENGINEERING ASSOCIATES, DILLSBURG, PA.
FOR

STATE OF OHIO
DEPARTMENT OF HIGHWAYS
DIVISION OF DESIGN AND CONSTRUCTION
BUREAU OF BRIDGES

BOX CULVERT
MUNSON ROAD OVER
MARSH CREEK

LAKE COUNTY STA. 27 + 10

DESIGNED	DRAWN	TRACED	CHECKED	REVISED DATE	REVISED
	DRT				4-1-59