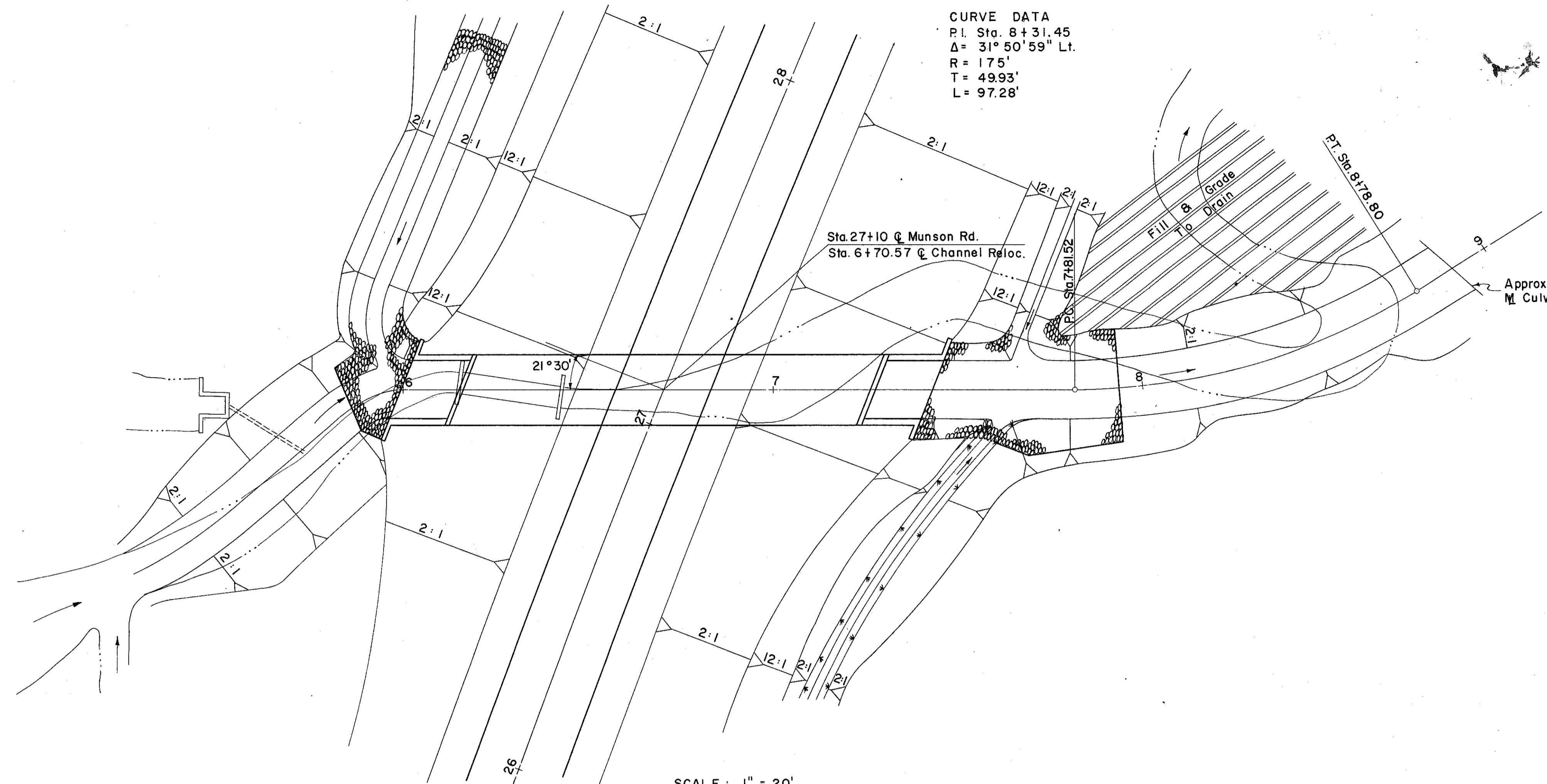
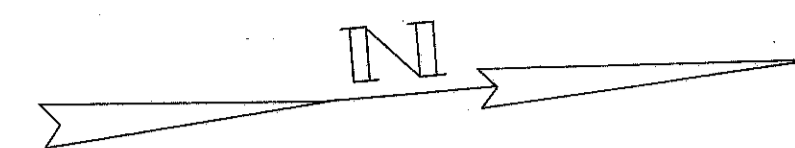


CURVE DATA
 P.I. Sta. 8+31.45
 $\Delta = 31^\circ 50' 59''$ Lt.
 R = 175'
 T = 49.93'
 L = 97.28'



Approximate Location of
M Culvert Headwall.

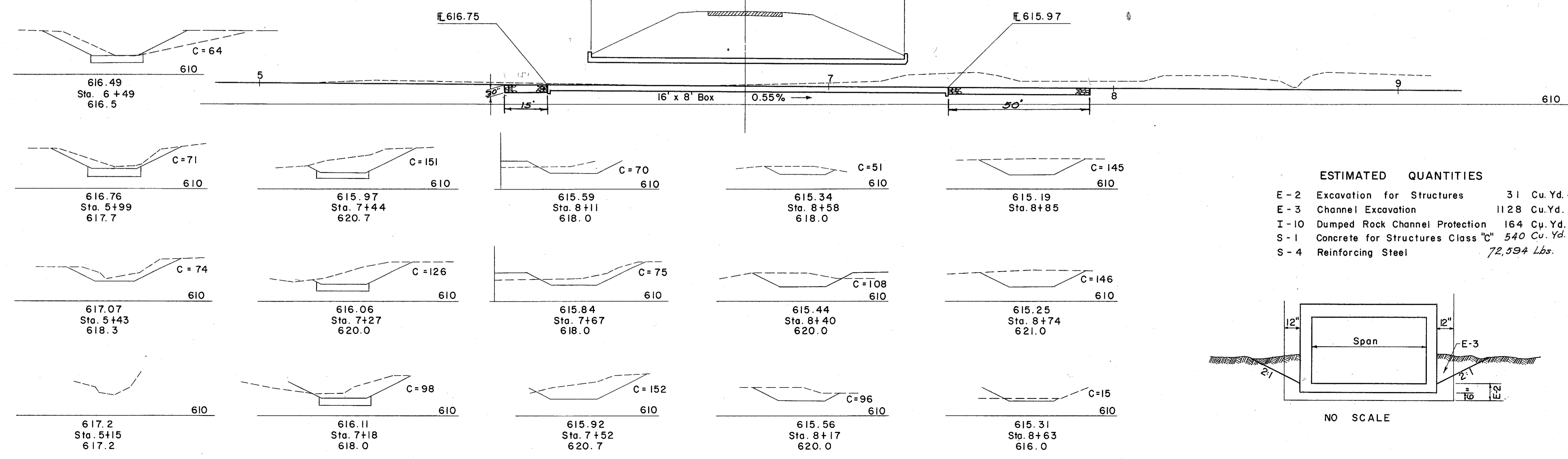
NOTE: Channel Excavation based on 16' bottom with 2:1 side slopes.
 E-2 based on 19' bottom and 2' depth.

SCALE: 1" = 20'

AREA = 3375 AC.
 Q25 = 990 CFS.

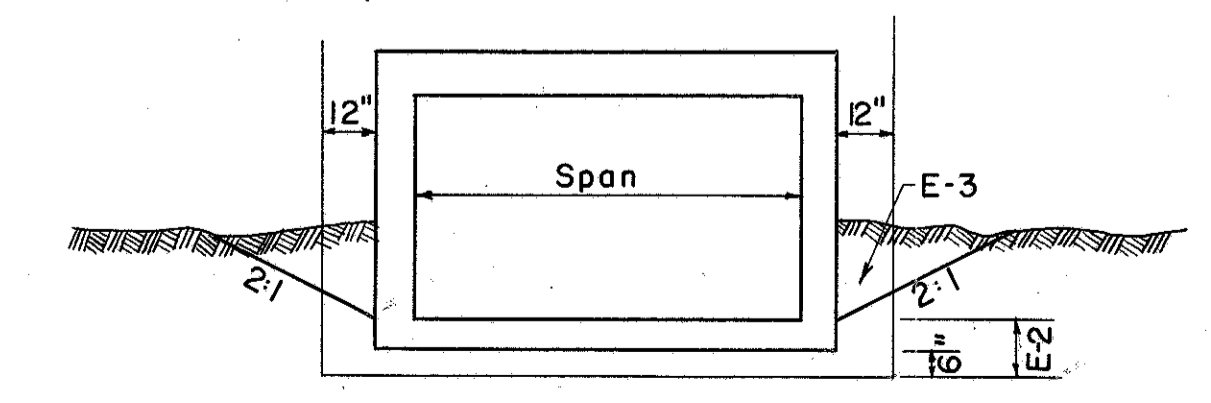
HEADWATER = 8.8 FT.
 OUTLET VELOCITY = 13.0 FPS.

CULVERT DATA
 SIZE: 16' x 8' Box
 WORK REQUIRED: Build a 16' x 8' Box Culvert.
 Excavate Channel Rt. & Lt.



ESTIMATED QUANTITIES

| | | |
|------|-----------------------------------|----------------|
| E-2 | Excavation for Structures | 31 Cu. Yd. ✓ |
| E-3 | Channel Excavation | 1128 Cu. Yd. ✓ |
| I-10 | Dumped Rock Channel Protection | 164 Cu. Yd. ✓ |
| S-1 | Concrete for Structures Class "C" | 540 Cu. Yd. |
| S-4 | Reinforcing Steel | 72,594 Lbs. |



NO SCALE