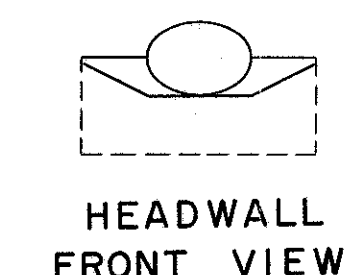
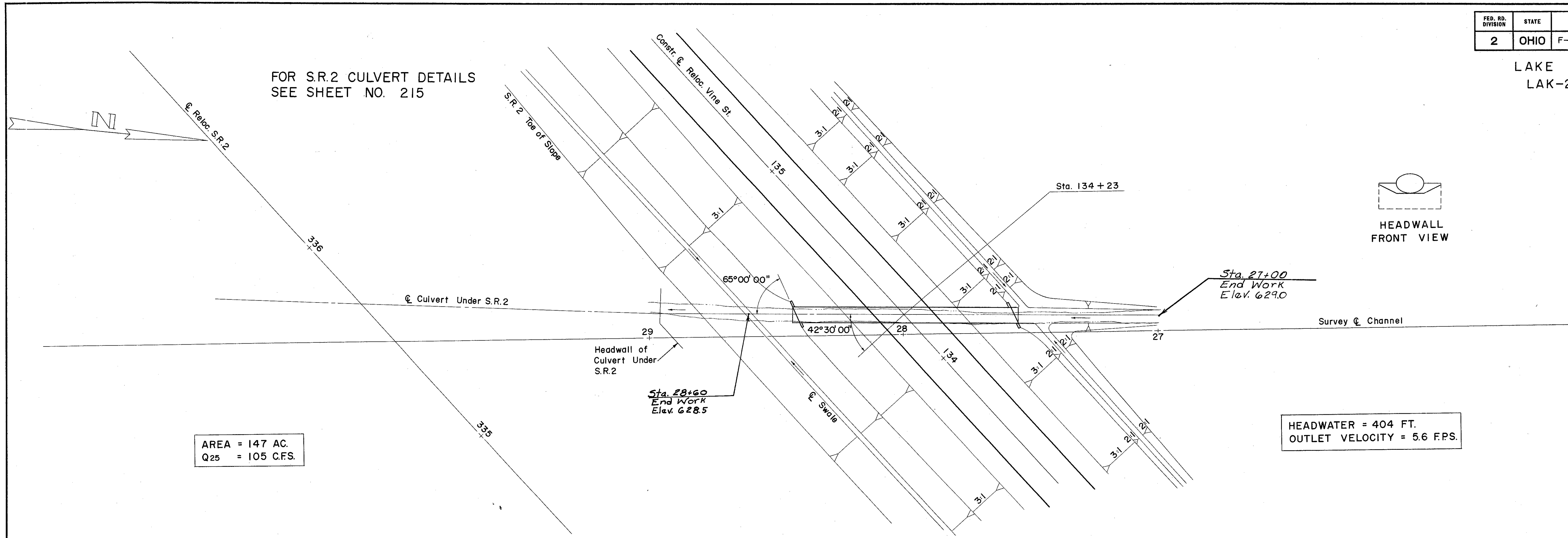


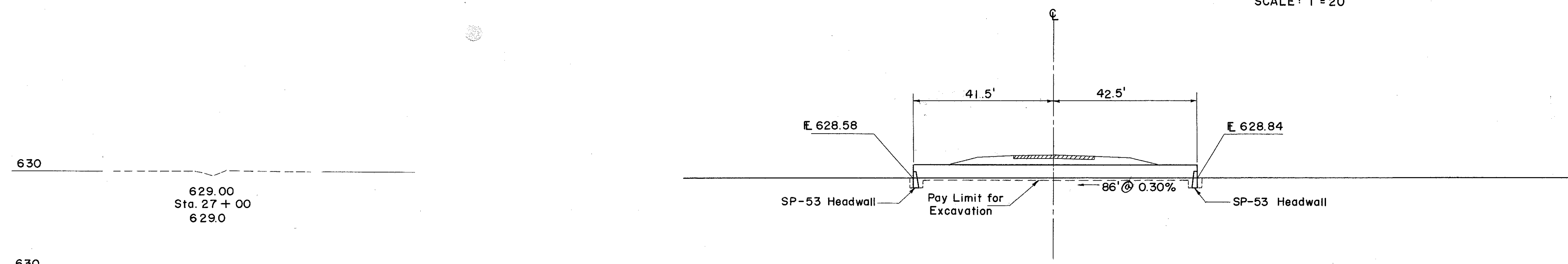
FOR S.R.2 CULVERT DETAILS
SEE SHEET NO. 215



HEADWATER = 404 FT.
OUTLET VELOCITY = 5.6 FPS.

AREA = 147 AC.
Q₂₅ = 105 C.F.S.

SCALE: 1" = 20'



630	629.00 Sta. 27 + 00 629.0	
630	628.84 Sta. 27 + 55 629.0	C = 5
630	628.83 Sta. 27 + 58 629.0	C = 10
630	628.71 Sta. 28 + 00 629.0	C = 6
630	628.59 Sta. 28 + 40 628.8	C = 8

CULVERT DATA
SIZE: 76" X 48"
WORK REQUIRED: Build a 76" X 48" Pipe Culvert
with SP-53 Headwalls
Lt. and Rt.

ESTIMATED QUANTITIES

E-2	Excavation for Structures	34 C.Y.
E-3	Channel Excavation	5 C.Y.
S-1	Concrete for Structures Class "E"	4.75 C.Y.
S-27	76" X 48" Pipe for Roadway Culverts Sec. M-206.6 (b)	84 L.F.

