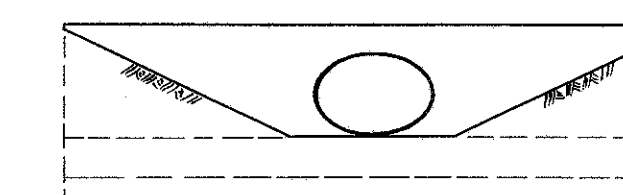


LAKE COUNTY
LAK-2-7.39

FOR CHANNEL ALIGNMENT
SEE SHEET NOS. 159-165



HEADWALL (Front View)

FOR HEADWALL DETAILS
SEE SHEET NO. 225

ESTIMATED QUANTITIES

E-2	Excavation for Structures	274 C.Y.
E-3	Channel Excavation	597 C.Y.
S-1	Concrete for Structures - Class "C"	425 C.Y.
S-4	Reinforcing Steel	1837 Lbs.
S-27	83" x 53" Pipe for Roadway Culverts - Sec. M-206.6 (b)	240 L.F.
L-10	Sodding	12 S.Y.

AREA = 493 ACRES
Q = 76 C.F.S.

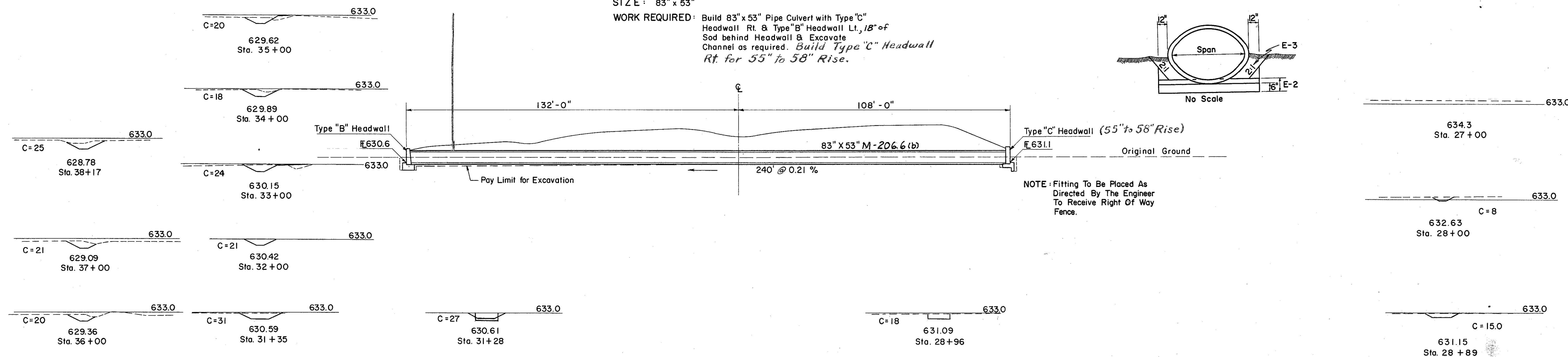
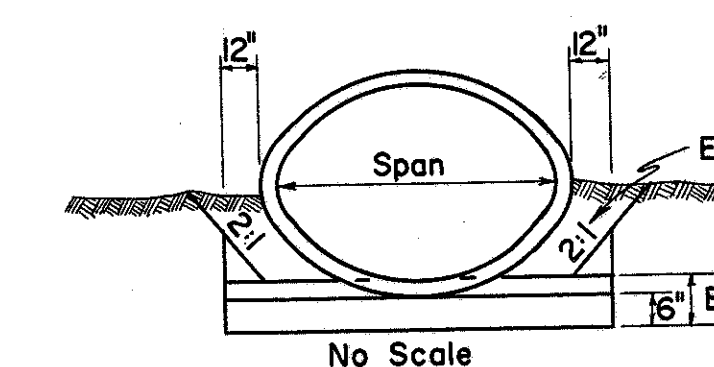
SCALE: 1" = 20"

HEADWATER = 2.8 FT.
OUTLET VELOCITY = 6.2 FPS.

CULVERT DATA

TYPE: Pipe Culvert S-27 M-206.6 (b)
SIZE: 83" x 53"

WORK REQUIRED: Build 83" x 53" Pipe Culvert with Type "C" Headwall Rt. & Type "B" Headwall Lt., 18" of Sod behind Headwall & Excavate Channel as required. Build Type "C" Headwall Rt. for 55" to 58" Rise.



NOTE: Fitting To Be Placed As Directed By The Engineer To Receive Right Of Way Fence.

STRUCTURE NO. LAK-2-0966
Revised 4-1-59