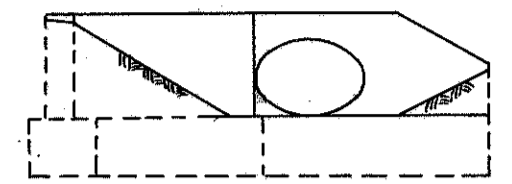


FOR CULVERT DETAILS VINE ST.
SEE SHEET NO. 219

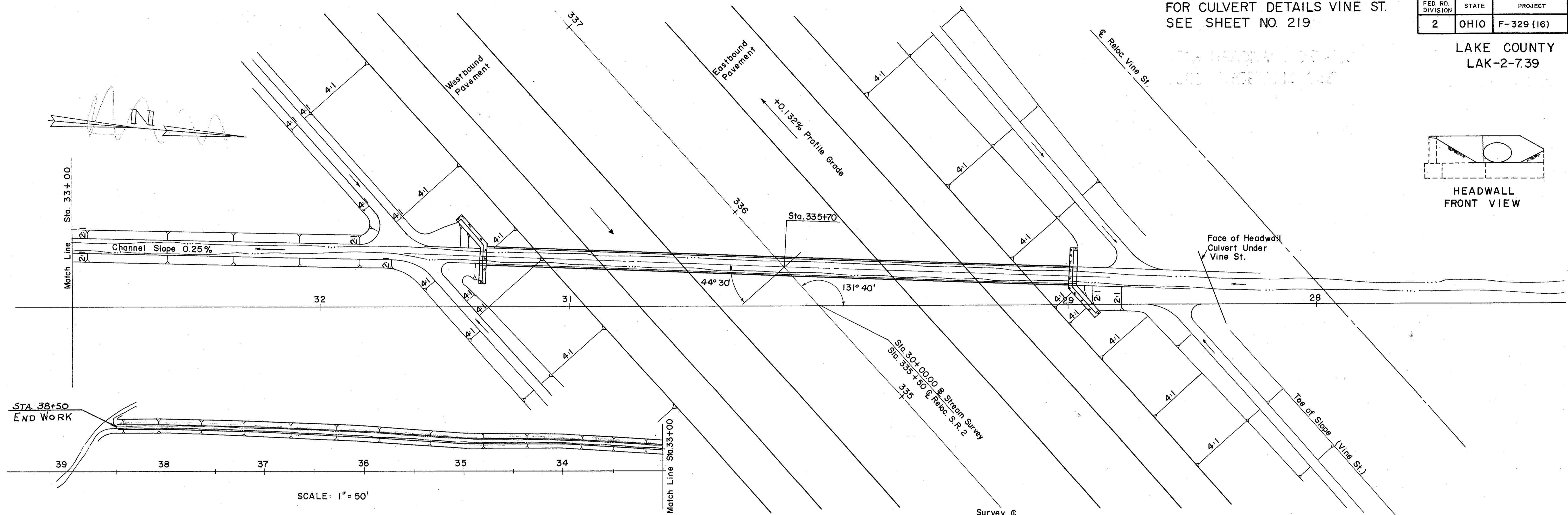
FED. RD. DIVISION	STATE	PROJECT	
2	OHIO	F-329 (16)	

215
268

LAKE COUNTY
LAK-2-7.39



HEADWALL
FRONT VIEW



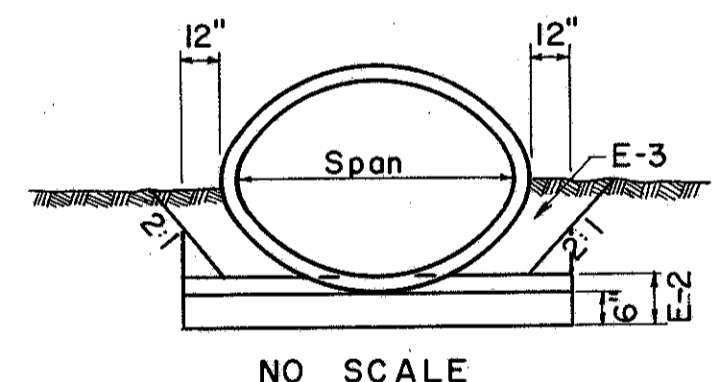
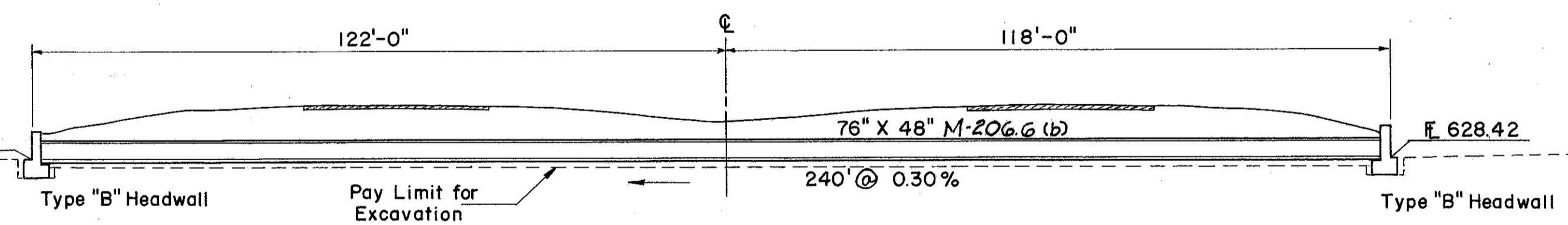
SCALE: 1" = 50'

SCALE: 1" = 20'

AREA = 161 AC. ±
Q₂₅ = 109 C.F.S.

HEADWATER = 3.93 FT.
OUTLET VELOCITY = 5.5 FPS.

626 625.92 Sta. 38+50 626.4 C=12	628 626.04 Sta. 38+00 627.3 C=15
630 627.54 Sta. 32+00 628.1 C=13	628 626.29 Sta. 37+00 627.4 C=24
630 627.69 Sta. 31+39 628.2 C=13	628 626.54 Sta. 36+00 627.9 C=30
630 627.71 Sta. 31+32.5 628.3 C=14	628 626.79 Sta. 35+00 628.0 C=21
630 628.11 Sta. 30+00 628.5 C=11	628 627.04 Sta. 34+00 628.0 C=13
630 628.41 Sta. 29+00.5 628.6 C=9	628 627.29 Sta. 33+00 628.2 C=15
630 628.43 Sta. 28+94 628.6 C=5	
630 628+58 Sta. 28+43 628.8 C=6	



NOTE:
Fitting to be placed as directed by engineer to received Right of Way Fence.

FOR HEADWALL DETAILS SEE SHEET NO. 225

CULVERT DATA

TYPE: Pipe Culvert S-27 M-206.6 (b) Type "B" Headwalls
SIZE: 76" X 48"
WORK REQUIRED: Build 76" X 48" Pipe Culvert with Type "B" Headwalls Rt. and Lt., 18" of Sod behind Headwalls and Excavate Channel as shown.

ESTIMATED QUANTITIES

E-2	Excavation for Structures	155 C.Y.
E-3	Channel Excavation	498 C.Y.
S-1	Concrete for Structures Class "C"	39.7 C.Y.
S-4	Reinforcing Steel	1715 Lbs.
S-27	76" X 48" Pipe for Roadway Culverts Sec. M-206.6 (b)	240 L.F.
L-10	Sodding	11 S.Y.

STRUCTURE NO. LAK-2-0825

Revised 17 Oct. 58

PIPE CULVERT STA. 335 + 70

L-32