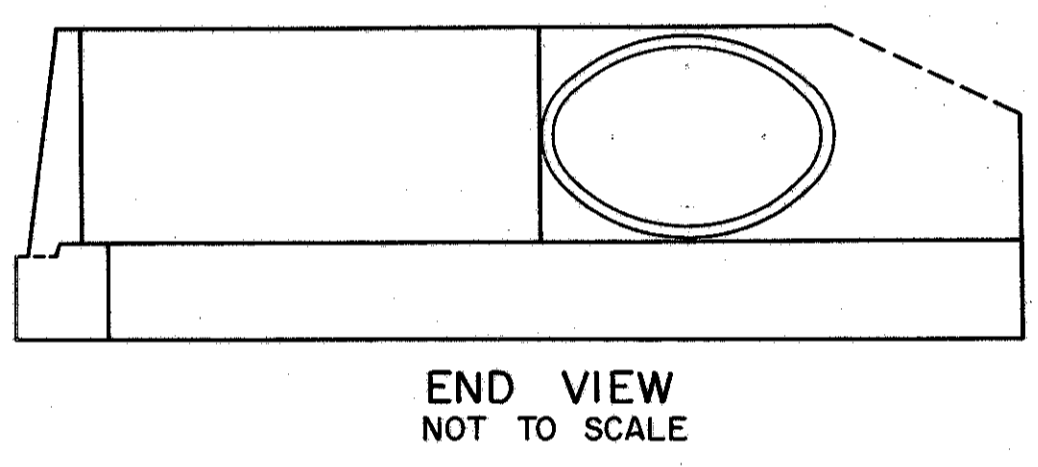
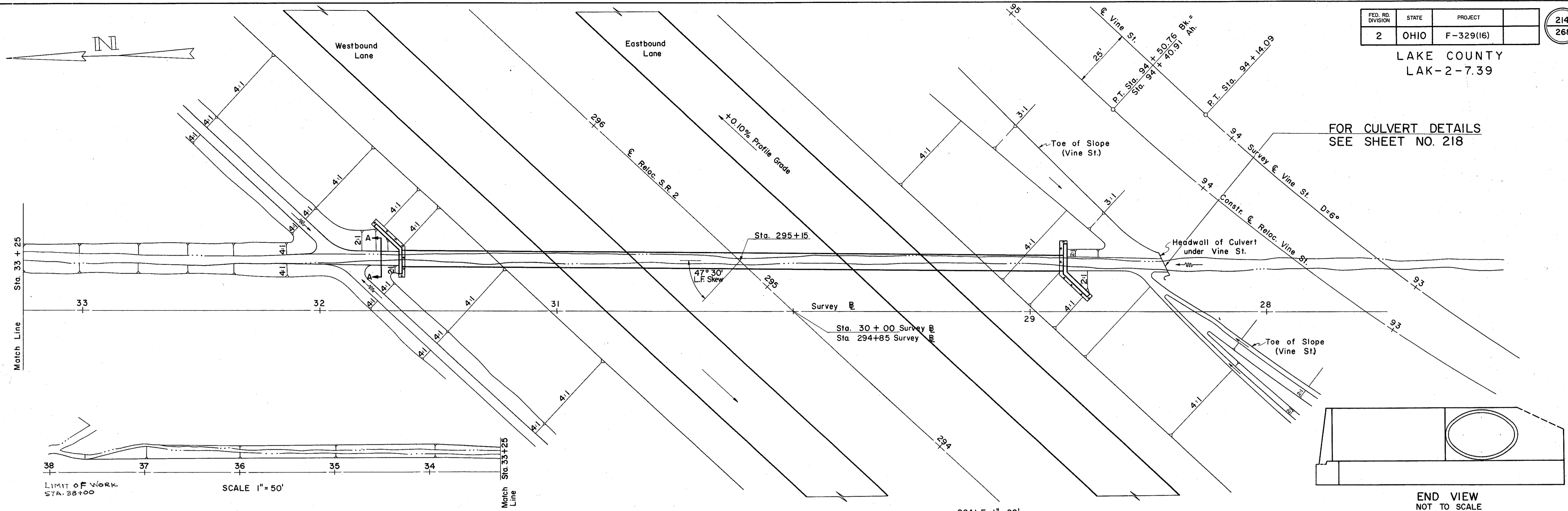


FOR CULVERT DETAILS  
SEE SHEET NO. 218



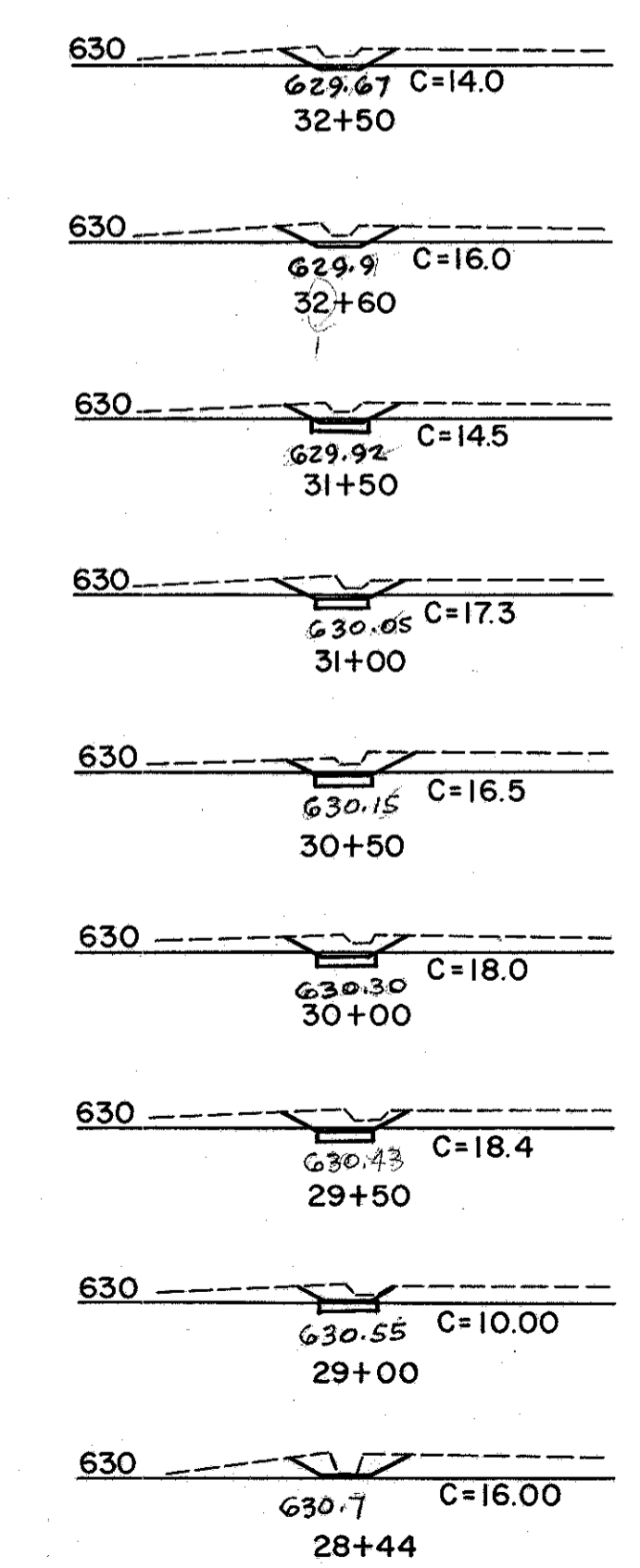
LIMIT OF WORK  
STA. 28+00

SCALE 1" = 50'

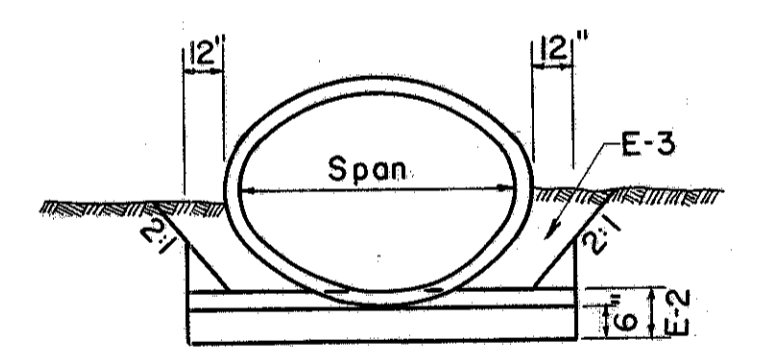
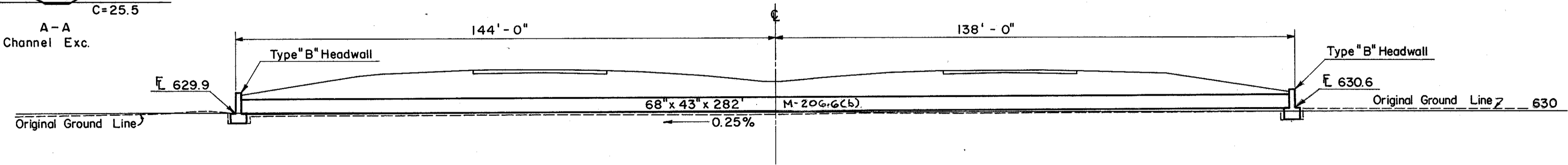
SCALE 1" = 20'

AREA = 113 ACRES ±  
Q<sub>25</sub> = 60 C.F.S.

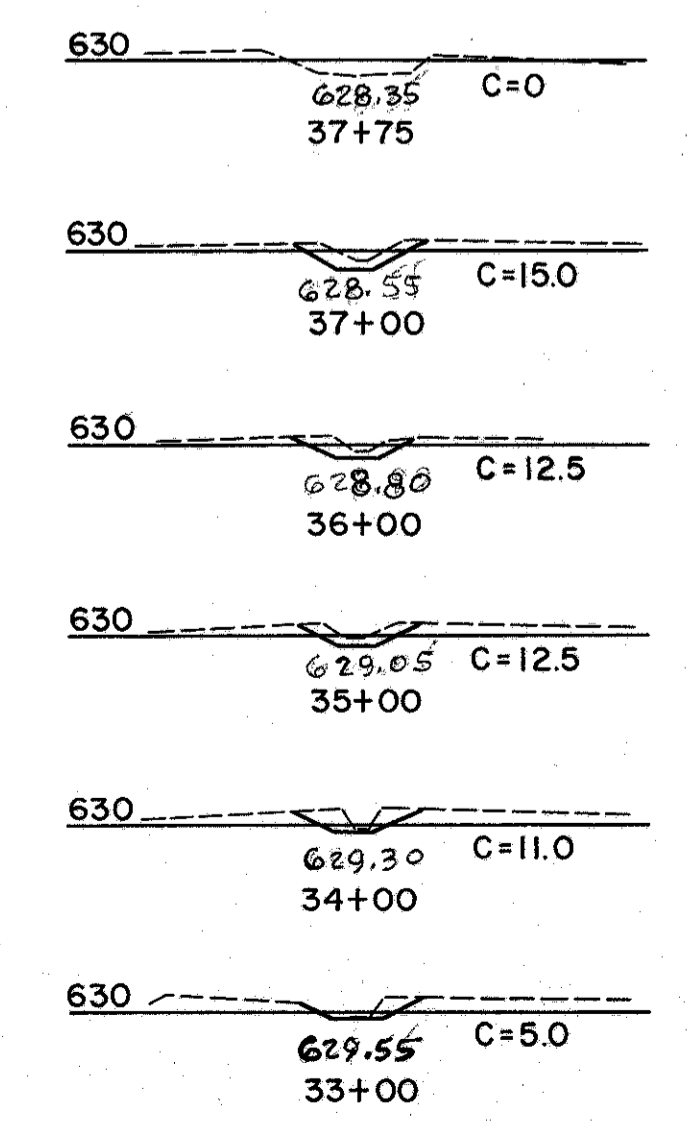
HEADWATER = 2.7 FT.  
OUTLET VELOCITY = 6.3 F.P.S.



A - A  
Channel Exc.



NO SCALE



ESTIMATED QUANTITIES

E-2	Excavation For Structure	118 C.Y.
E-3	Excavation For Channel	435 C.Y.
S-1	Concrete For Structure Class "C"	387 C.Y.
S-4	Reinforcing Steel	16.51 Lbs.
S-27	68" x 43" Pipe For Roadway Culverts M-206.6(b)	282 L.F.
L-10	Sodding	11 S.Y.

CULVERT DATA

TYPE: Pipe Culvert S-27 M-206.6(b) Type "B" Headwalls  
SIZE: 68" x 43"  
WORK REQ'D: Build a Pipe Culvert with Type "B" Headwalls, Sodding 18" R.T.P. as shown.

NOTE:  
Fitting to be placed as directed by Engineer to receive Right of Way Fence

FOR HEADWALL DETAILS SEE SHEET NO. 225