

# TYPICAL SECTIONS

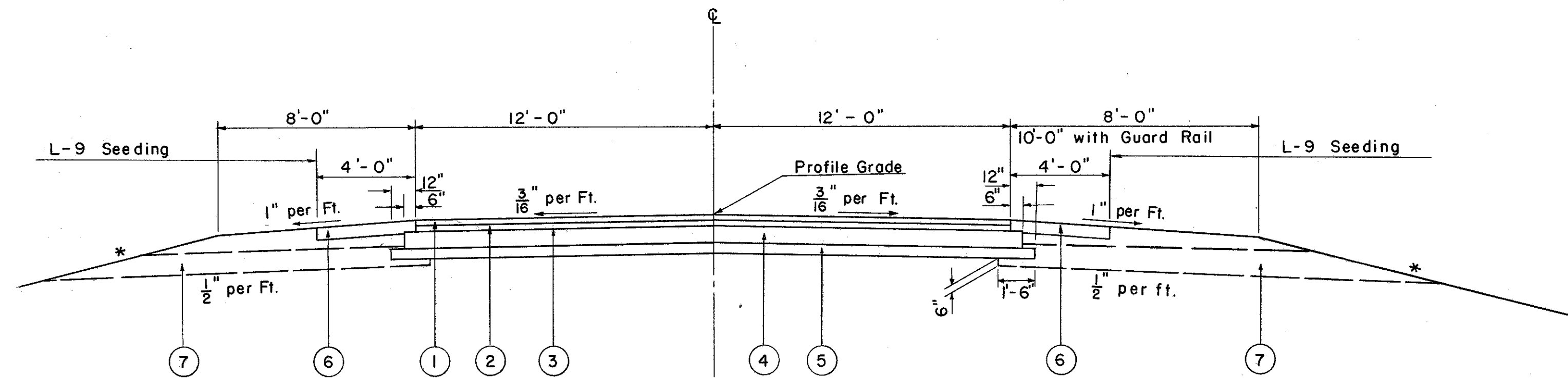
TYPE T-35

RECONSTRUCTION OF HOPKINS ROAD

FED. RD. DIVISION	STATE	PROJECT	
2	OHIO	F-329 (16)	

7  
268

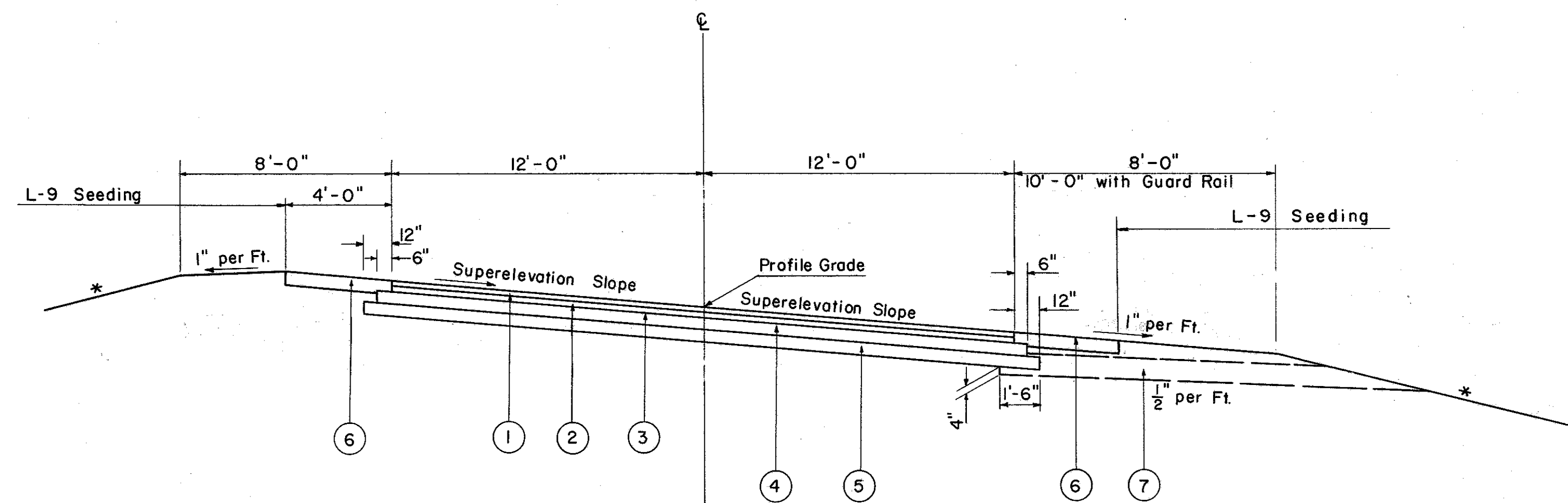
LAKE COUNTY  
LAK-2-7.39



NORMAL SECTION

LIMITING STATIONS  
STA. 28 + 00 TO STA. 31 + 65

\* See Standard Drawings RI-1 or X-Sections  
for Slope & Ditch Details



SUPERELEVATED SECTION

LIMITING STATIONS  
STA. 31 + 65 TO STA. 40 + 50  
Pavement width varies from 24' at Sta. 40+50  
to Existing width at Sta. 41+50

## LEGEND

- ① T-35 1 1/2" Asphaltic Concrete Surface Course, Type A (70-80)
- ② B-35 1 1/2" Asphaltic Concrete Leveling Course (70-80)
- ③ T-30 Bituminous Prime Coat
- ④ B-119 6" Crushed Aggregate Base Course
- ⑤ I-22 6" Subbase, Grading A or B, See Note
- ⑥ I-18 6" Stabilized Crushed Aggregate Shoulder
- ⑦ I-9 Stone Underdrain (No.2) Staggered at 50' Intervals or as Directed by the Engineer