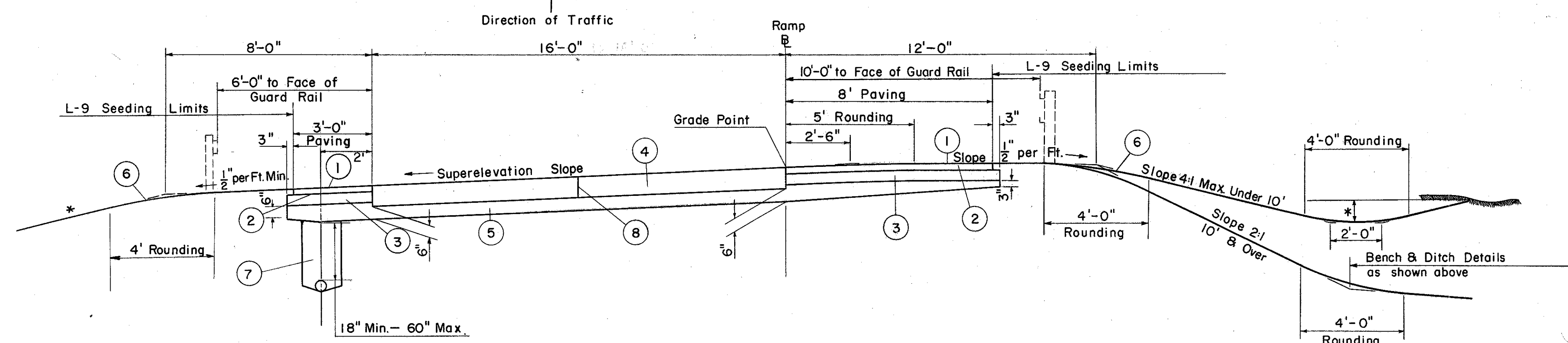
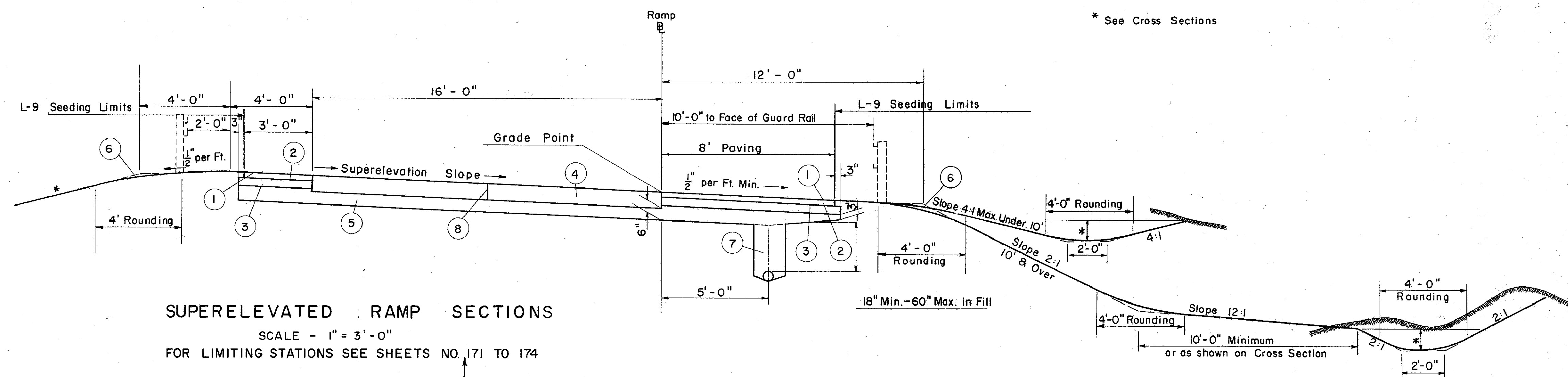
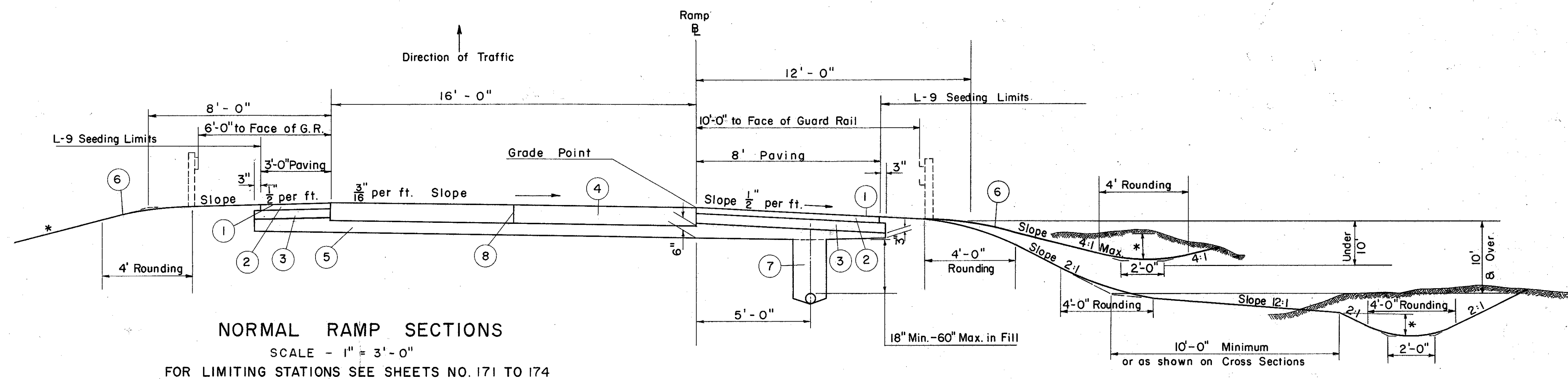


TYPICAL SECTIONS

TYPE T-71

FED. RD. DIVISION	STATE	PROJECT	3
2	OHIO	F-329 (16)	268

LAKE COUNTY
LAK-2-7.39



LEGEND

- ① T-31 Bituminous Surface Treatment
- ② B-33 3" Bituminous Macadam Base Course
- ③ I-18 Stabilized Crushed Aggregate Shoulders & Approaches 5' Depth
- ④ T-71 10" Reinforced Portland Cement Concrete Pavement
- ⑤ I-22 Variable Depth Subbase; grading A or B see note.
- ⑥ L-9 Seeding & Protecting
- ⑦ I-4 6" Pipe Underdrain
- ⑧ Standard Longitudinal Joint