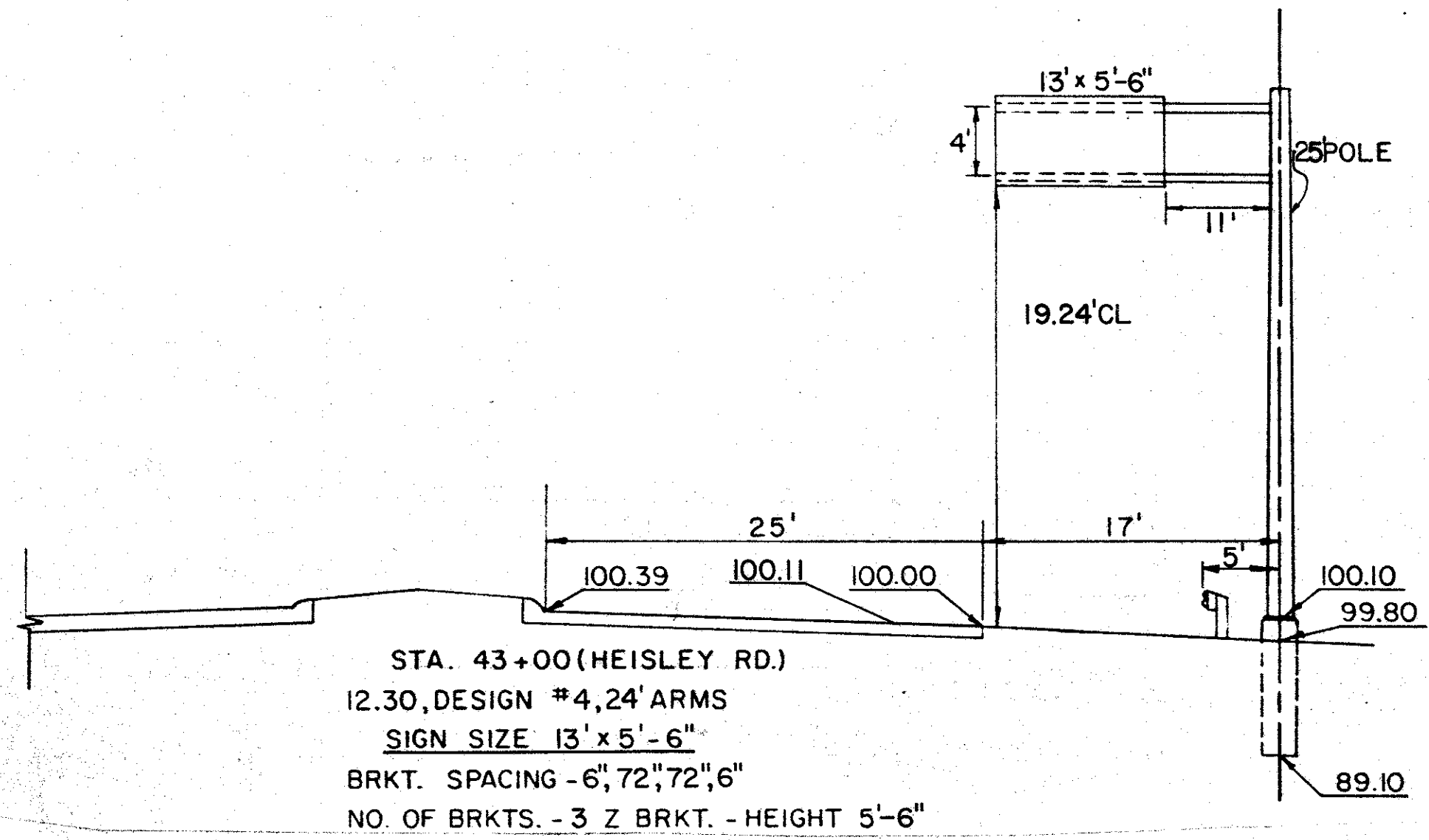
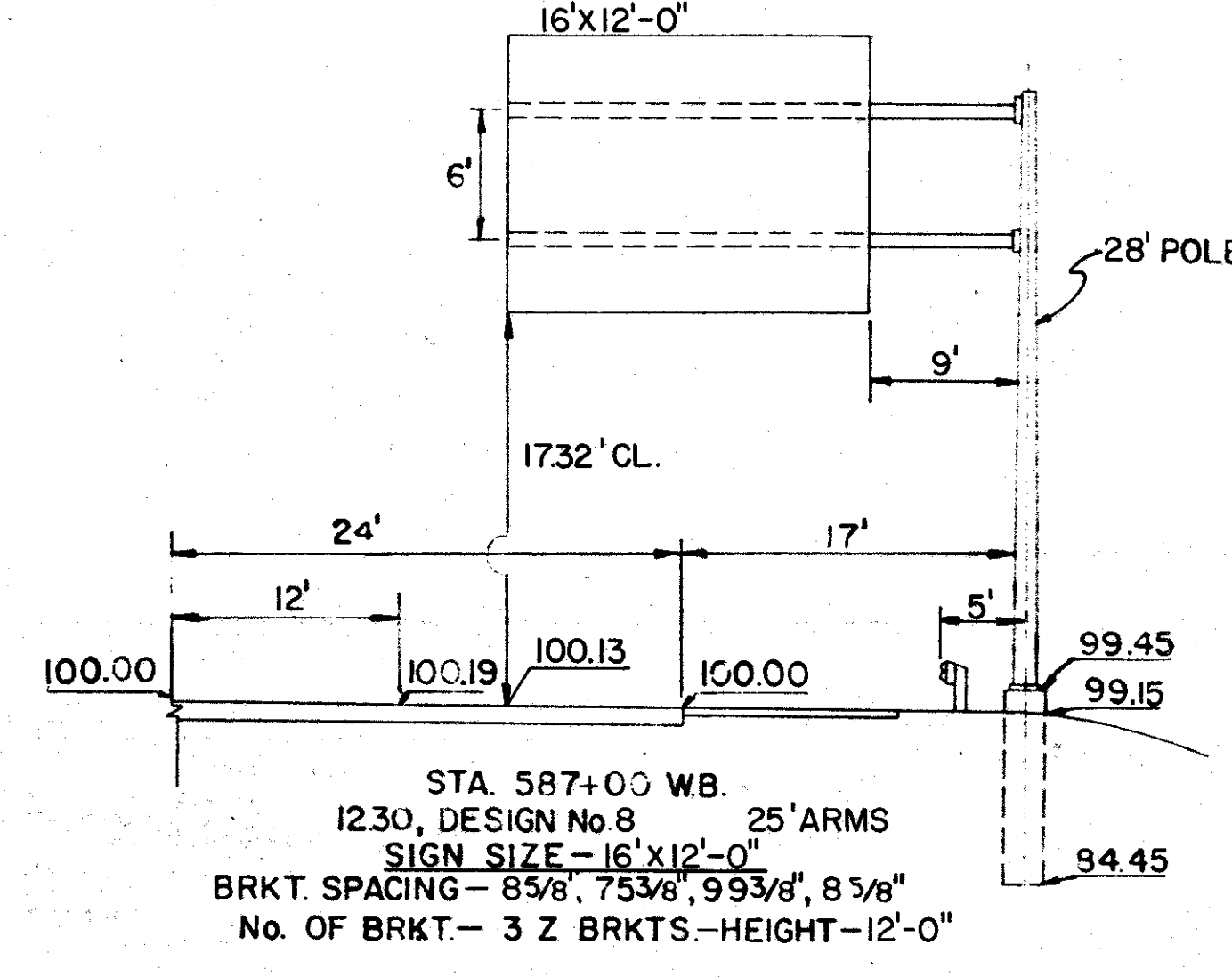


170



172

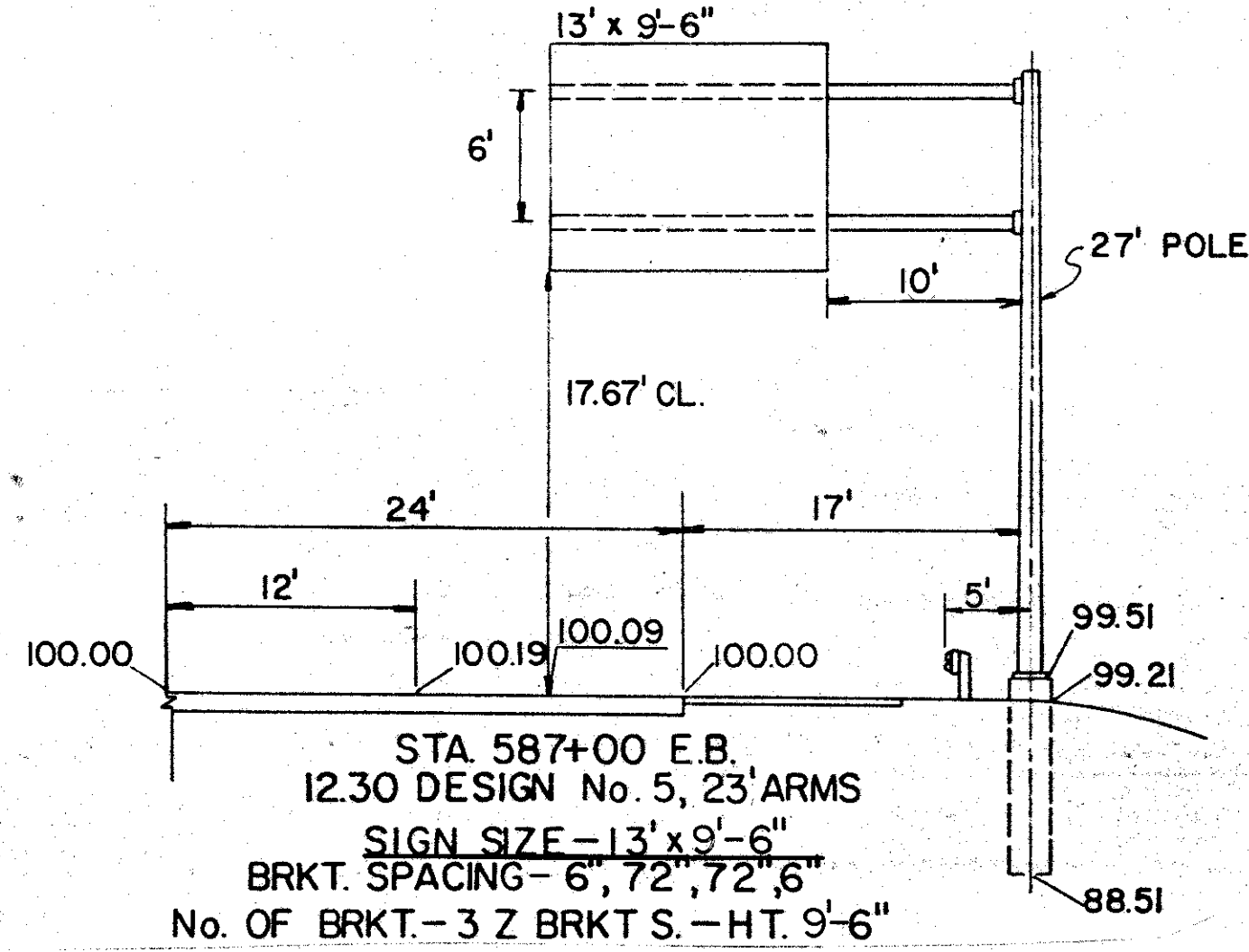


179

FHWA REGION	STATE	PROJECT
5	OHIO	

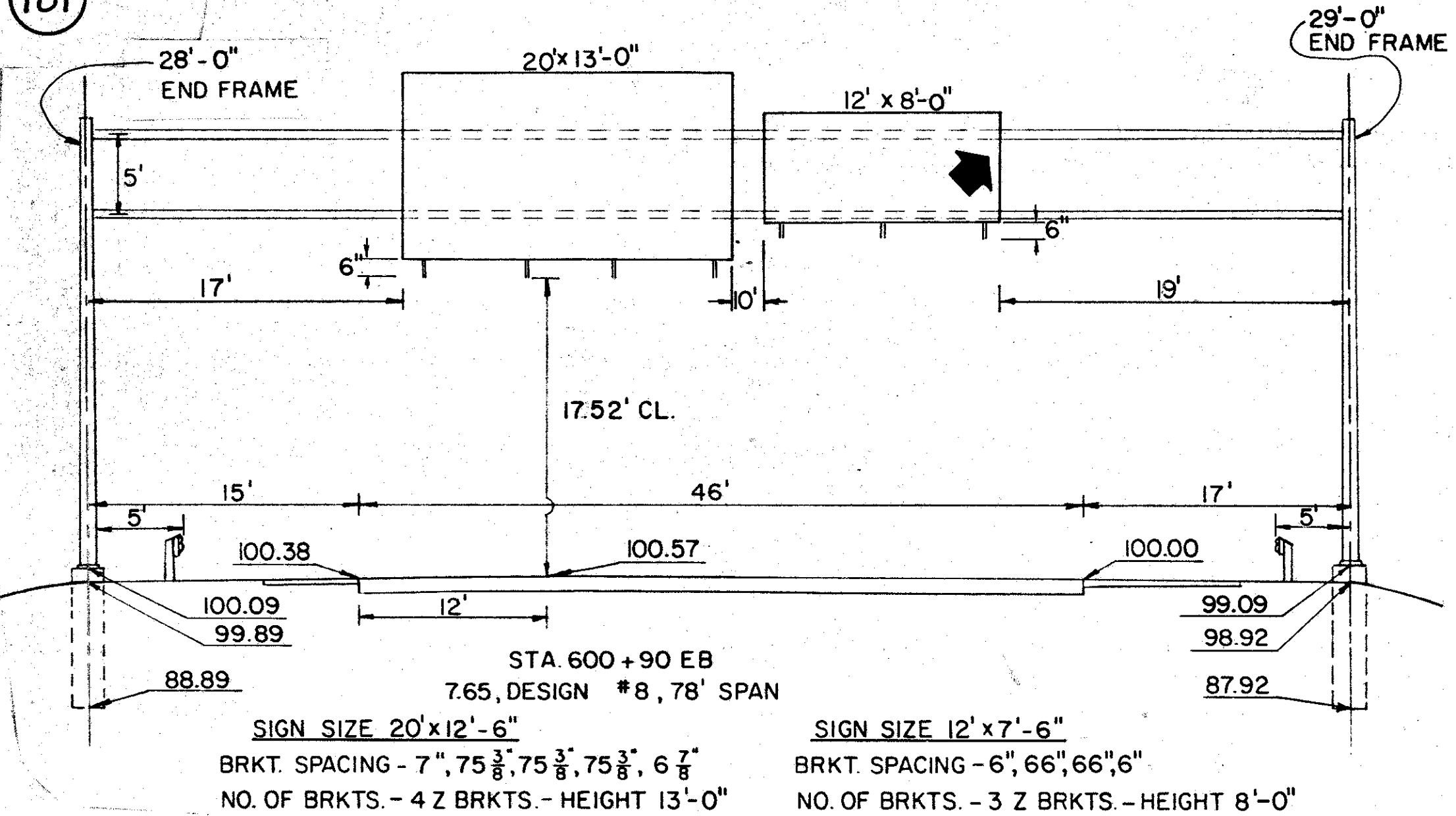
LAKE COUNTY  
LAKE - 2 - 6.14

134  
153



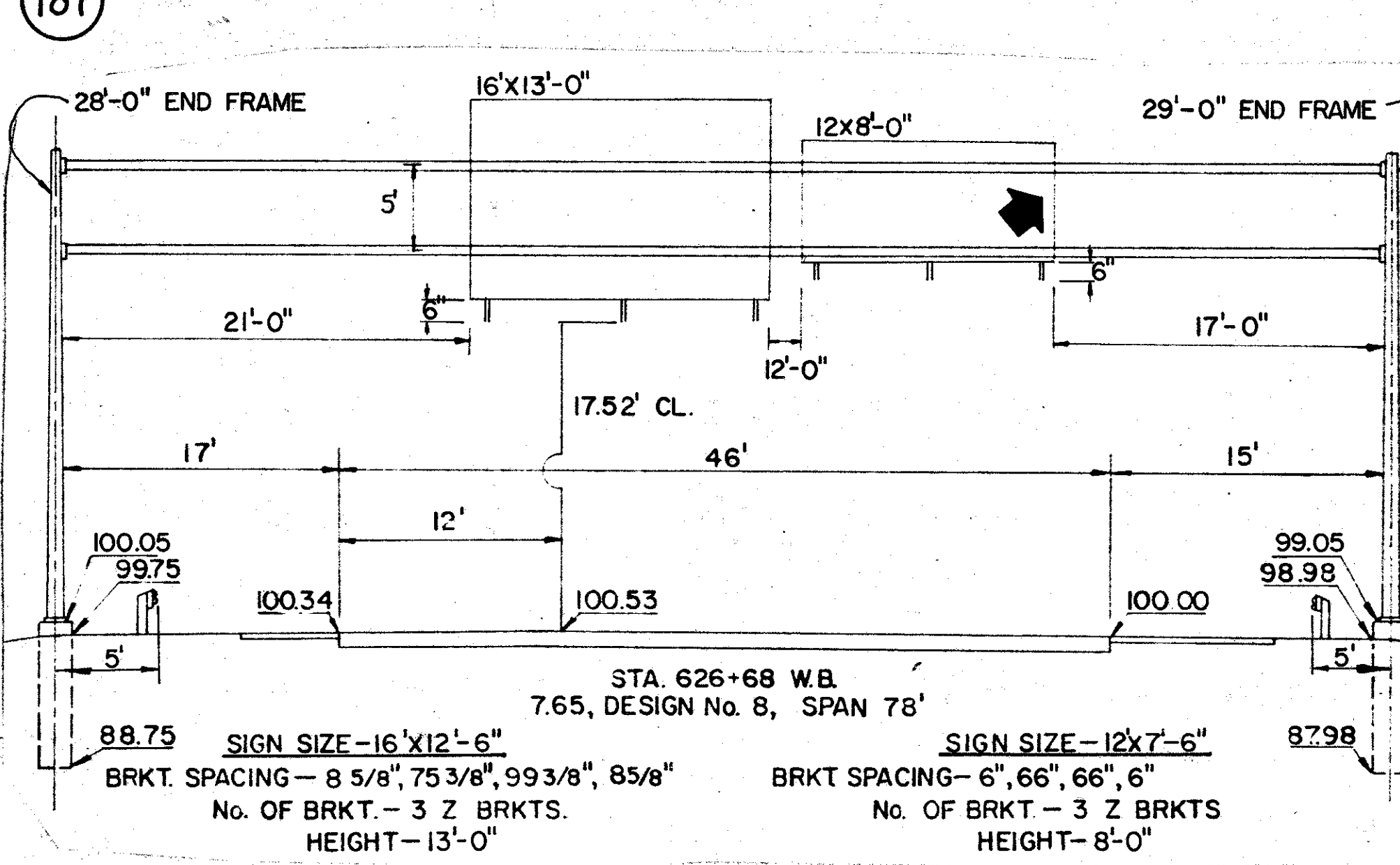
181

SIGN LIGHTING TO BE INCLUDED IN FUTURE PROJECT



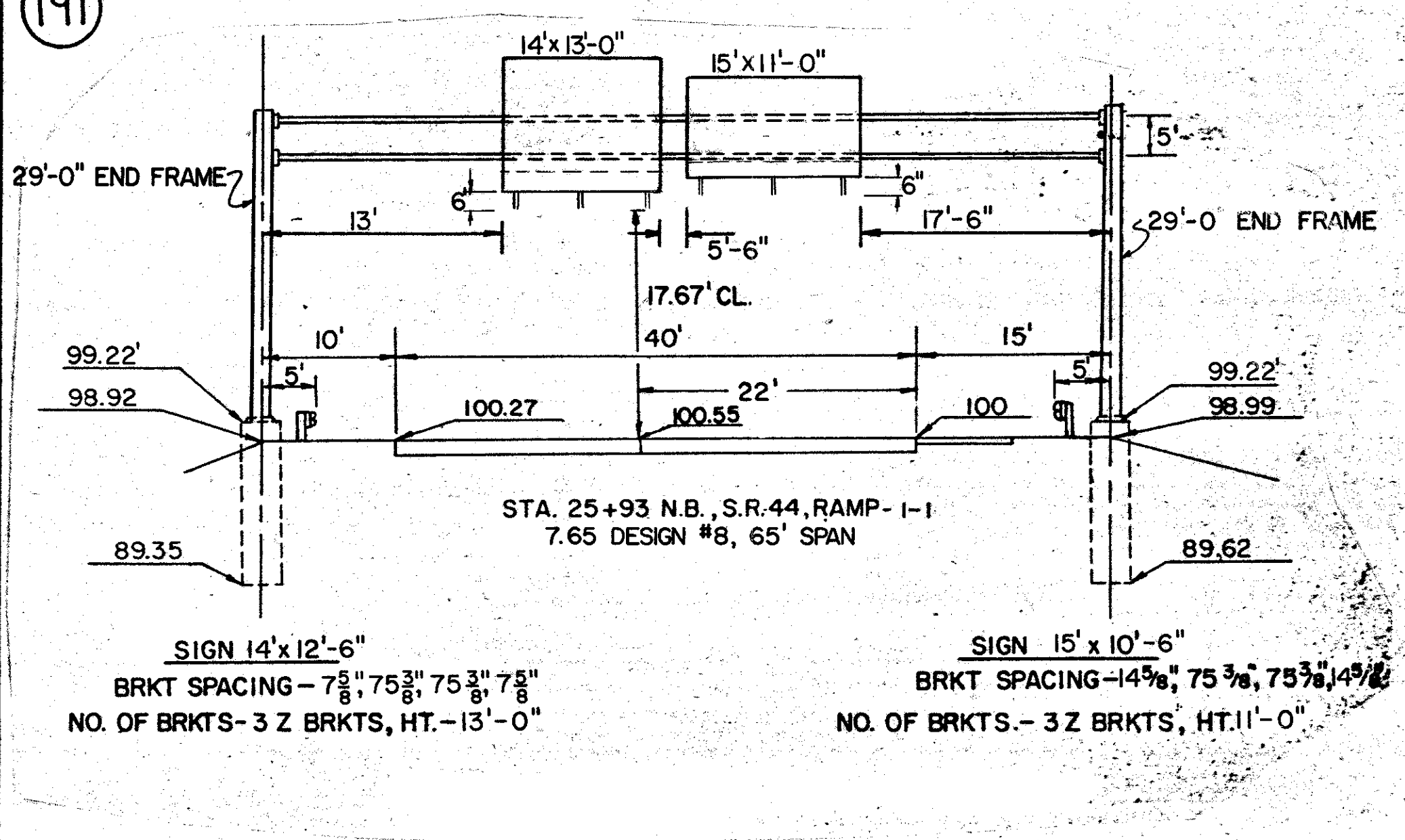
187

SIGN LIGHTING TO BE INCLUDED IN FUTURE PROJECT

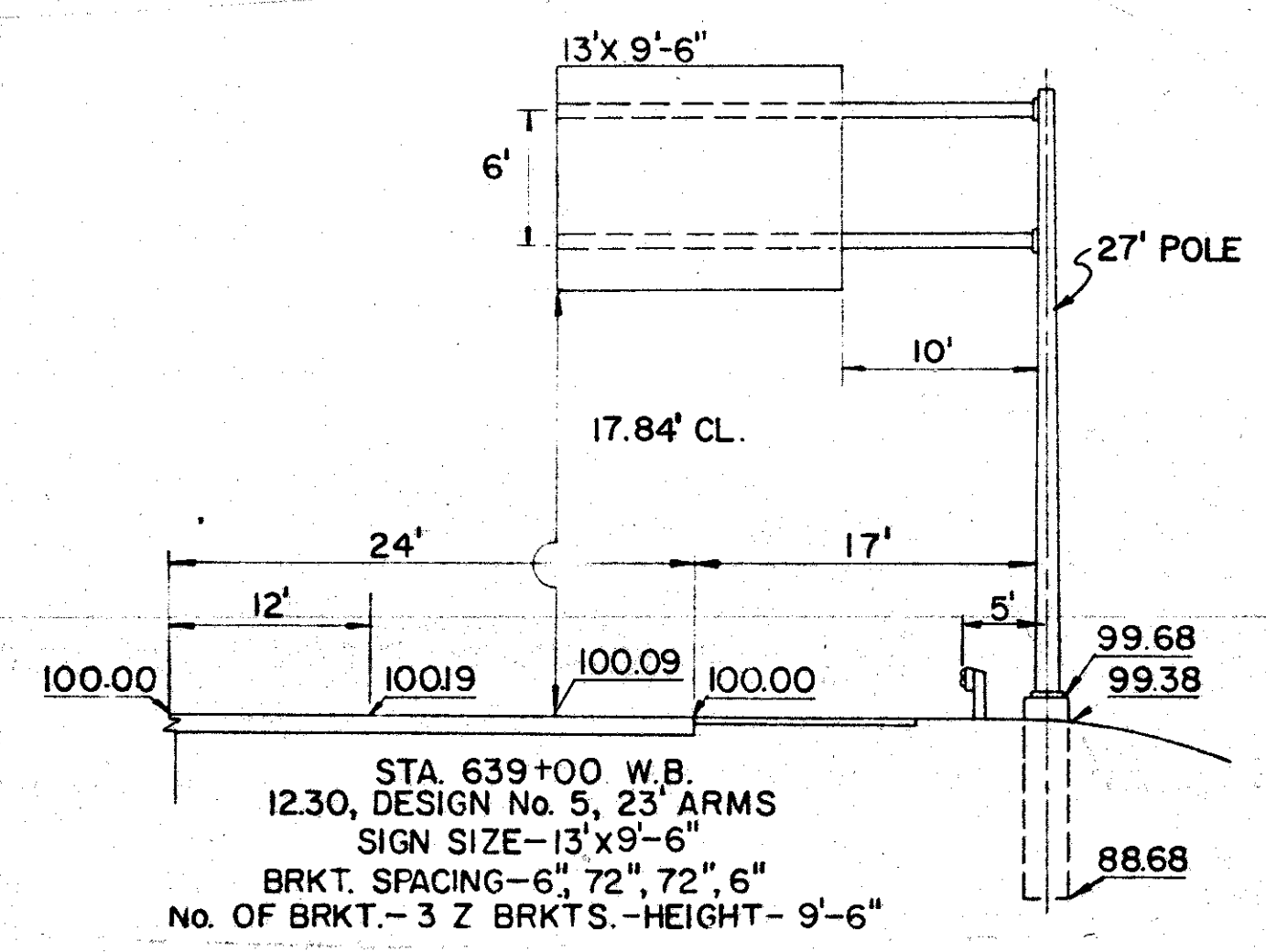


191

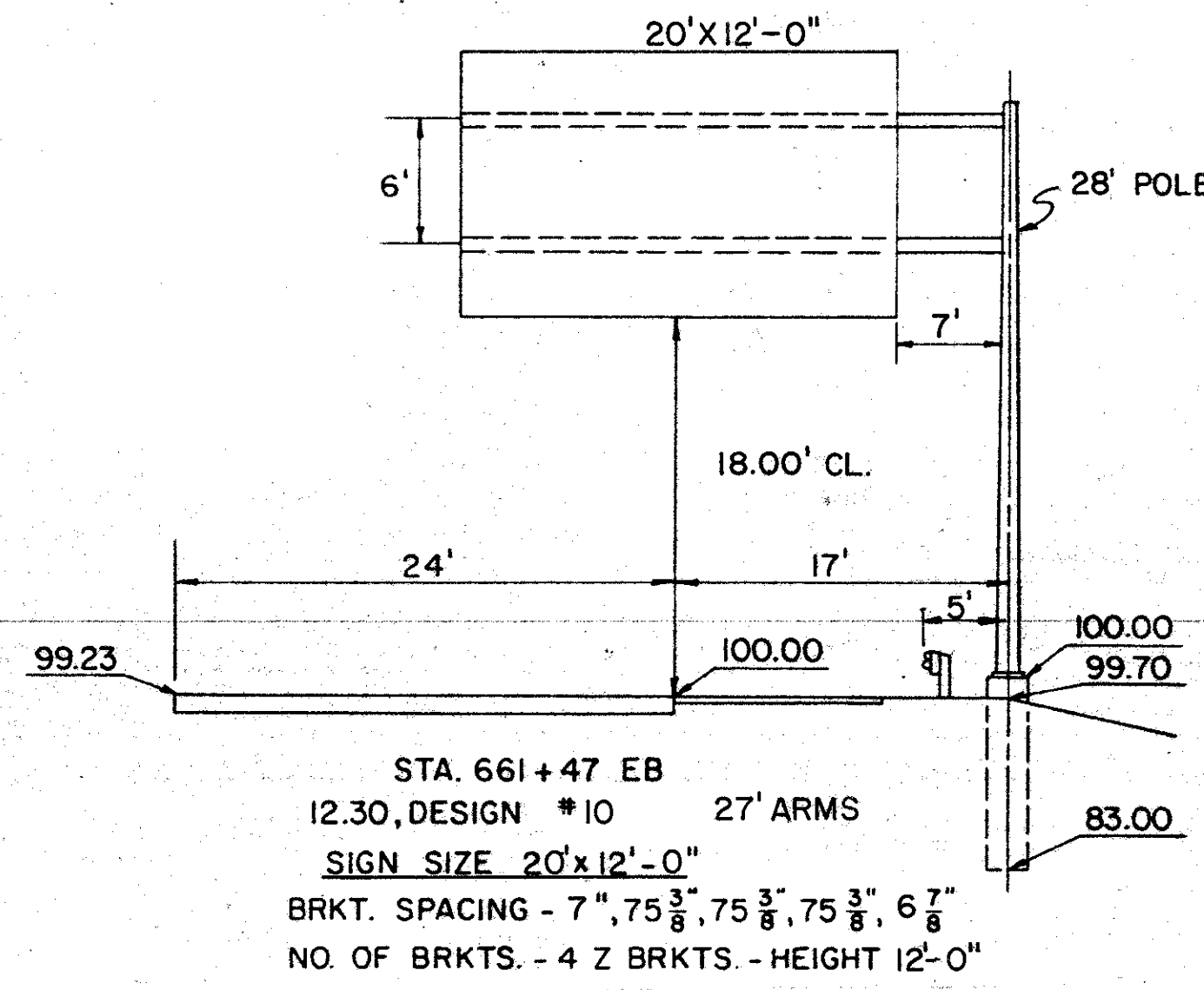
SIGN LIGHTING TO BE INCLUDED IN FUTURE PROJECT



203



208



55

