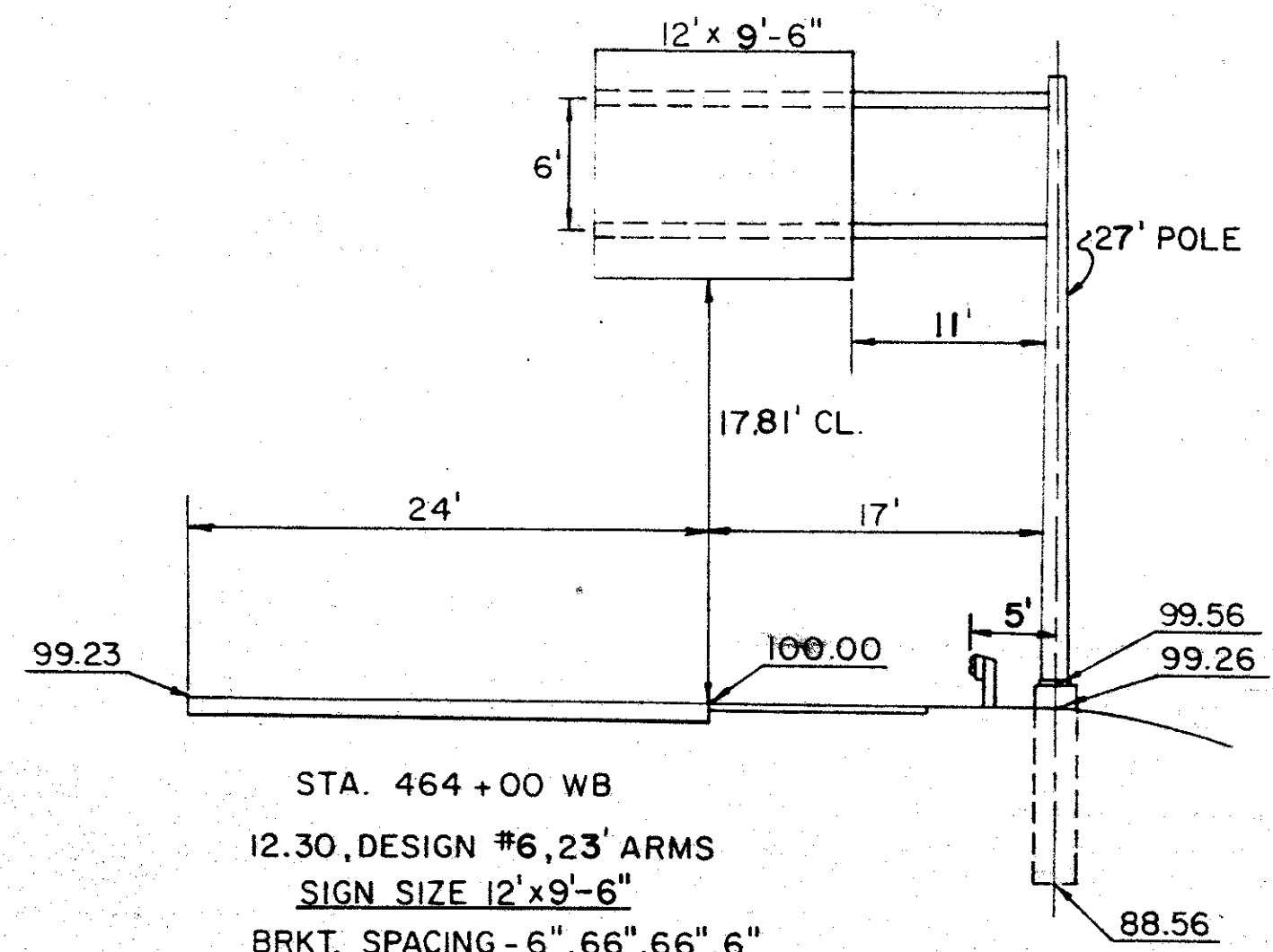
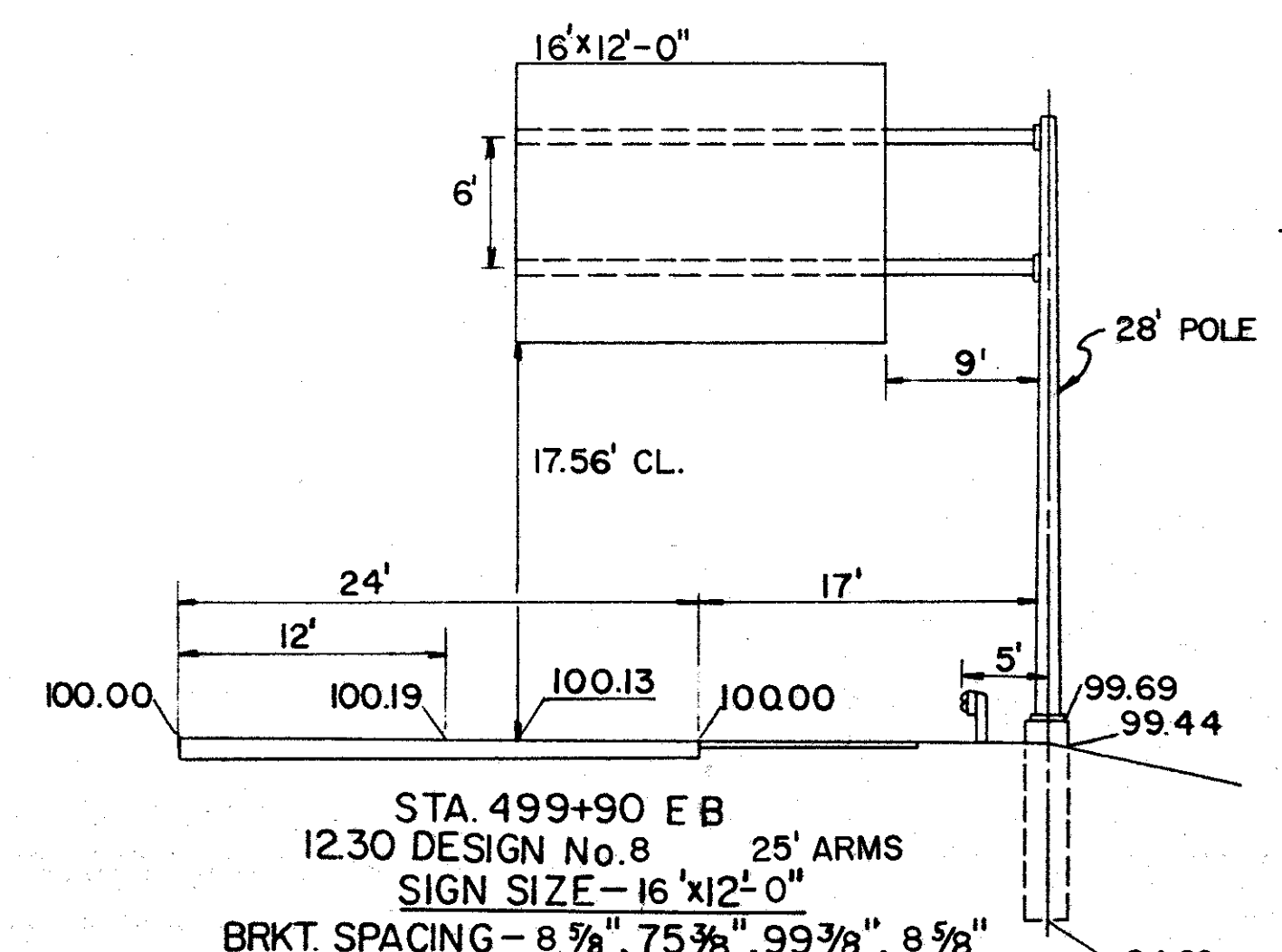


115



STA. 464+00 WB
 12.30, DESIGN #6, 23' ARMS
 SIGN SIZE 12'x9'-6"
 BRKT. SPACING - 6", 66", 66", 6"
 NO. OF BRKTS. - 3 Z BRKT. - HEIGHT 9'-6"

116



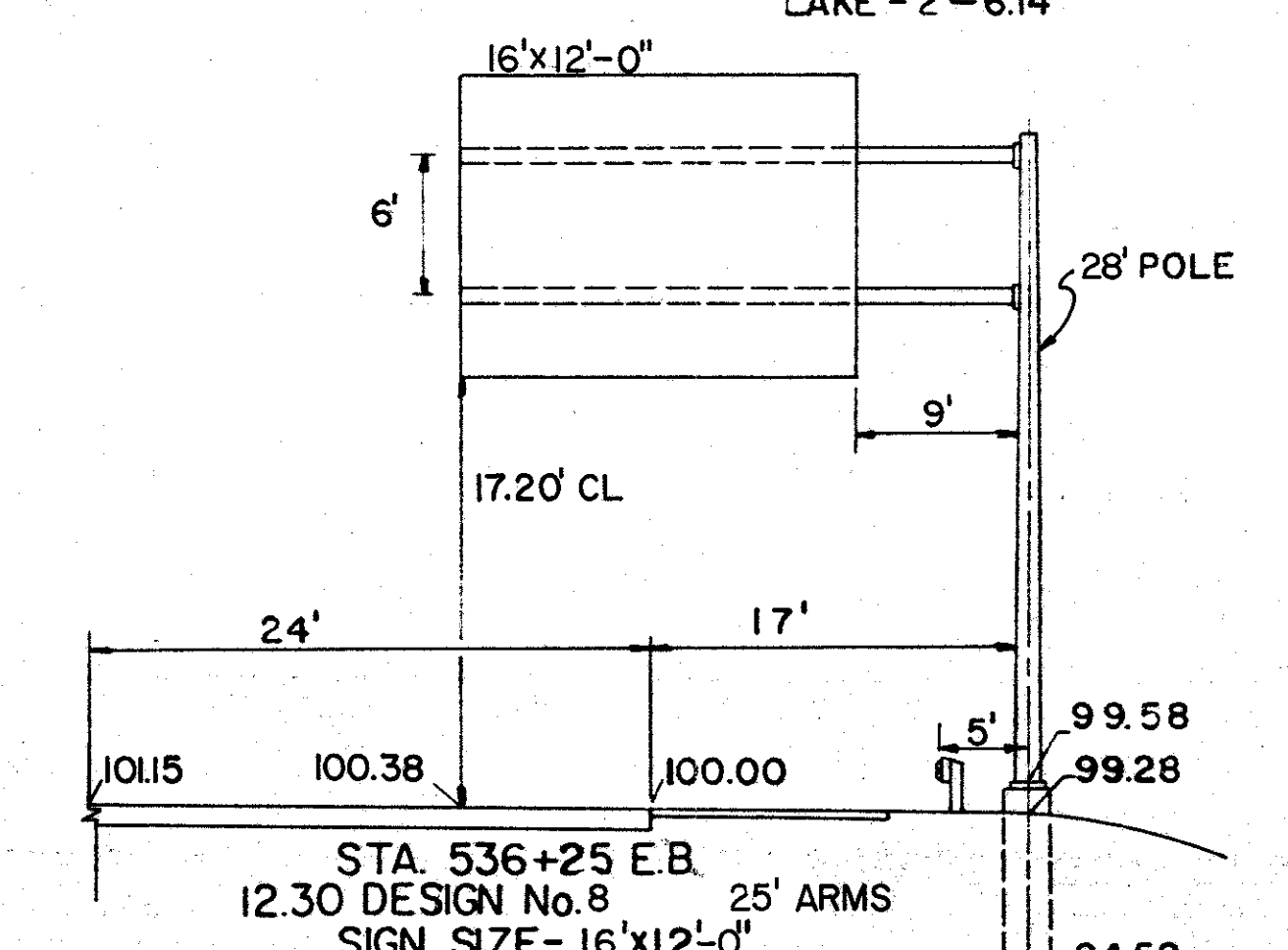
STA. 499+90 E B
 12.30 DESIGN No. 8 25' ARMS
 SIGN SIZE - 16'x12'-0"
 BRKT. SPACING - 8 7/8", 75 3/8", 99 3/8", 8 7/8"
 No. OF BRKT. - 3 Z BRKT'S - HT. 12'-0"

119

FHWA REGION	STATE	PROJECT	
5	OHIO		

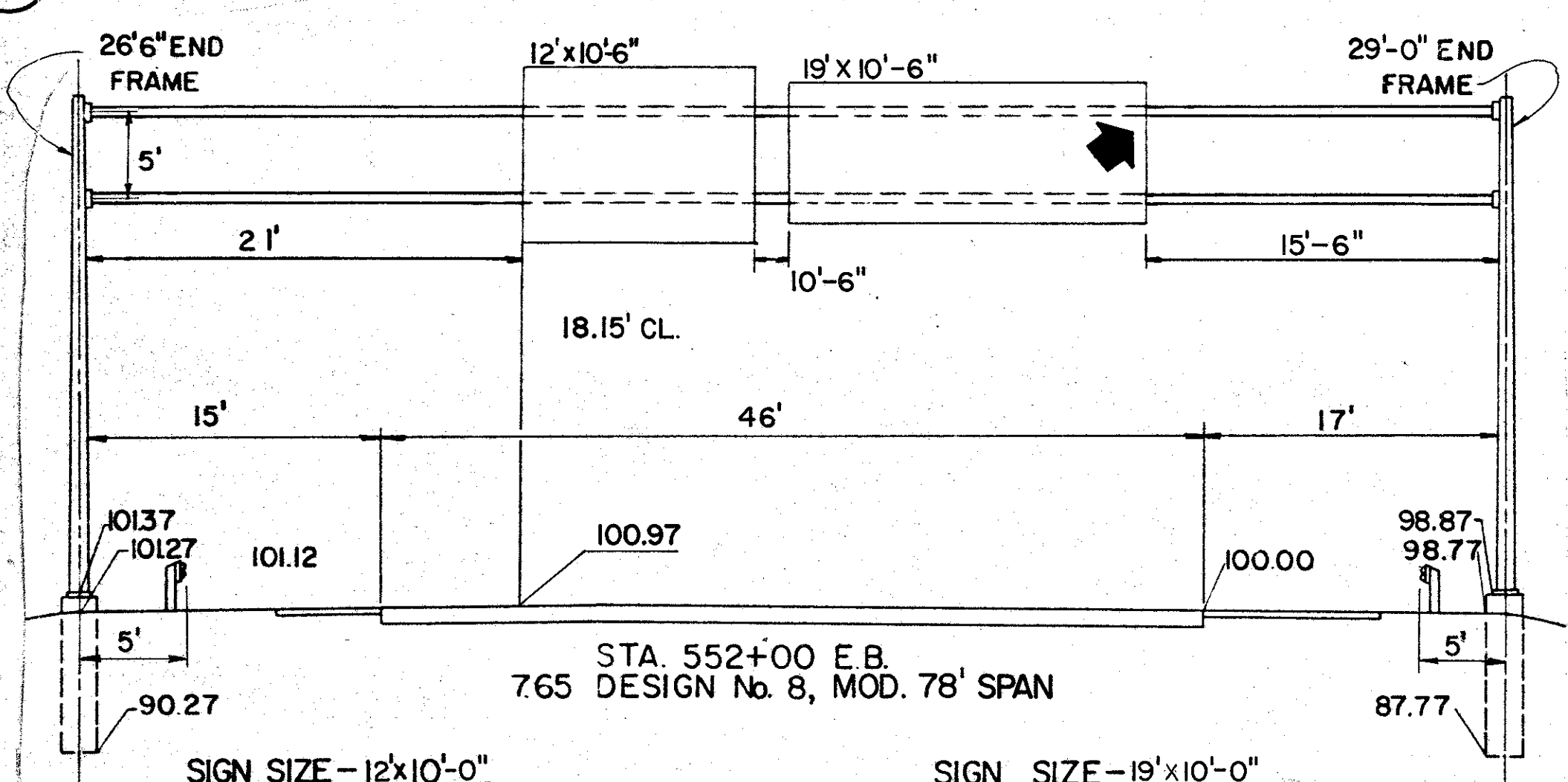
LAKE COUNTY
 LAKE - 2 - 6.14

133
 153



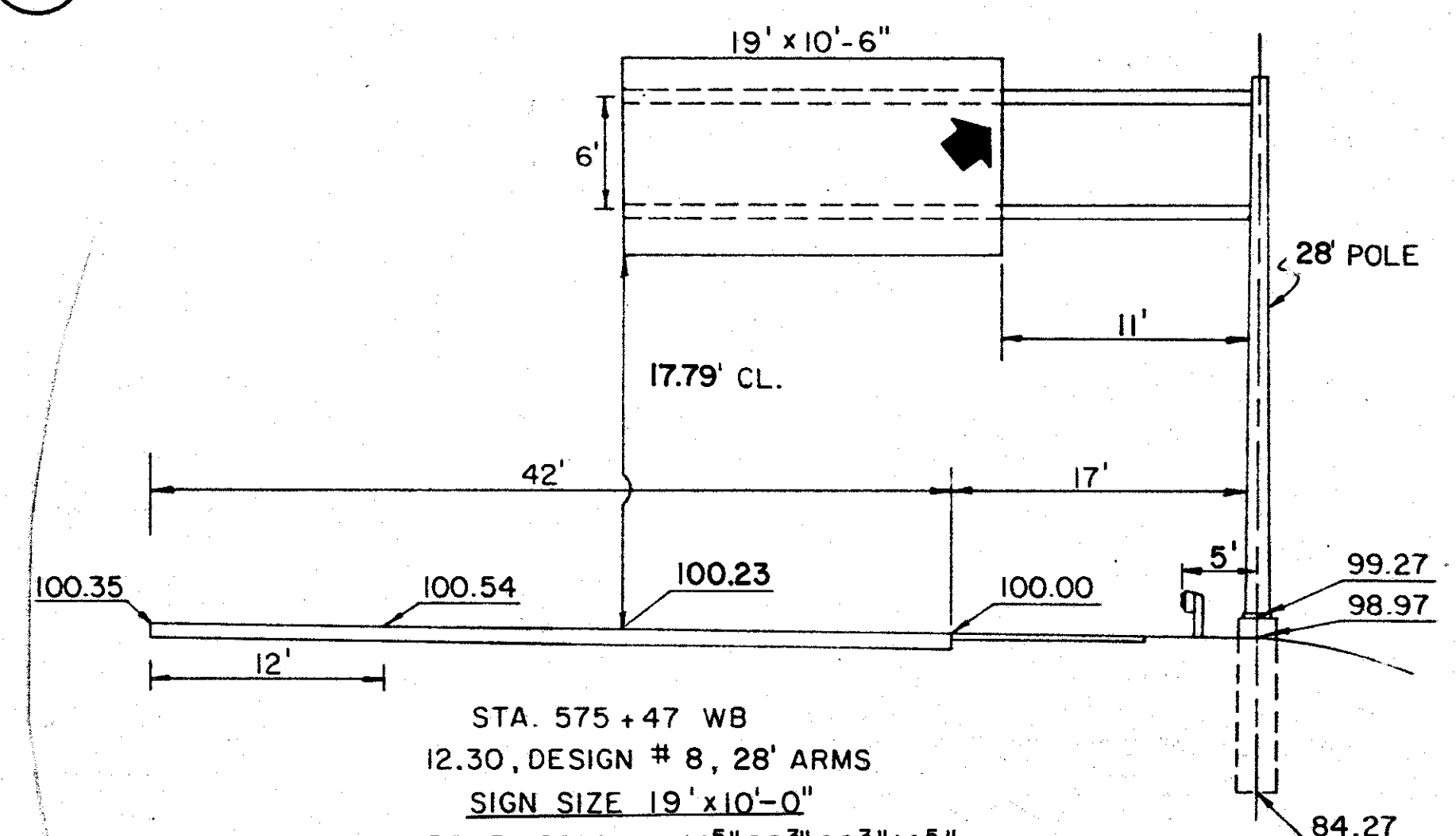
STA. 536+25 E.B.
 12.30 DESIGN No. 8 25' ARMS
 SIGN SIZE - 16'x12'-0"
 BRKT. SPACING - 8 5/8", 75 3/8", 99 3/8", 8 5/8"
 No. OF BRKT. - 3 Z BRKT'S - HT. 12'-0"

125



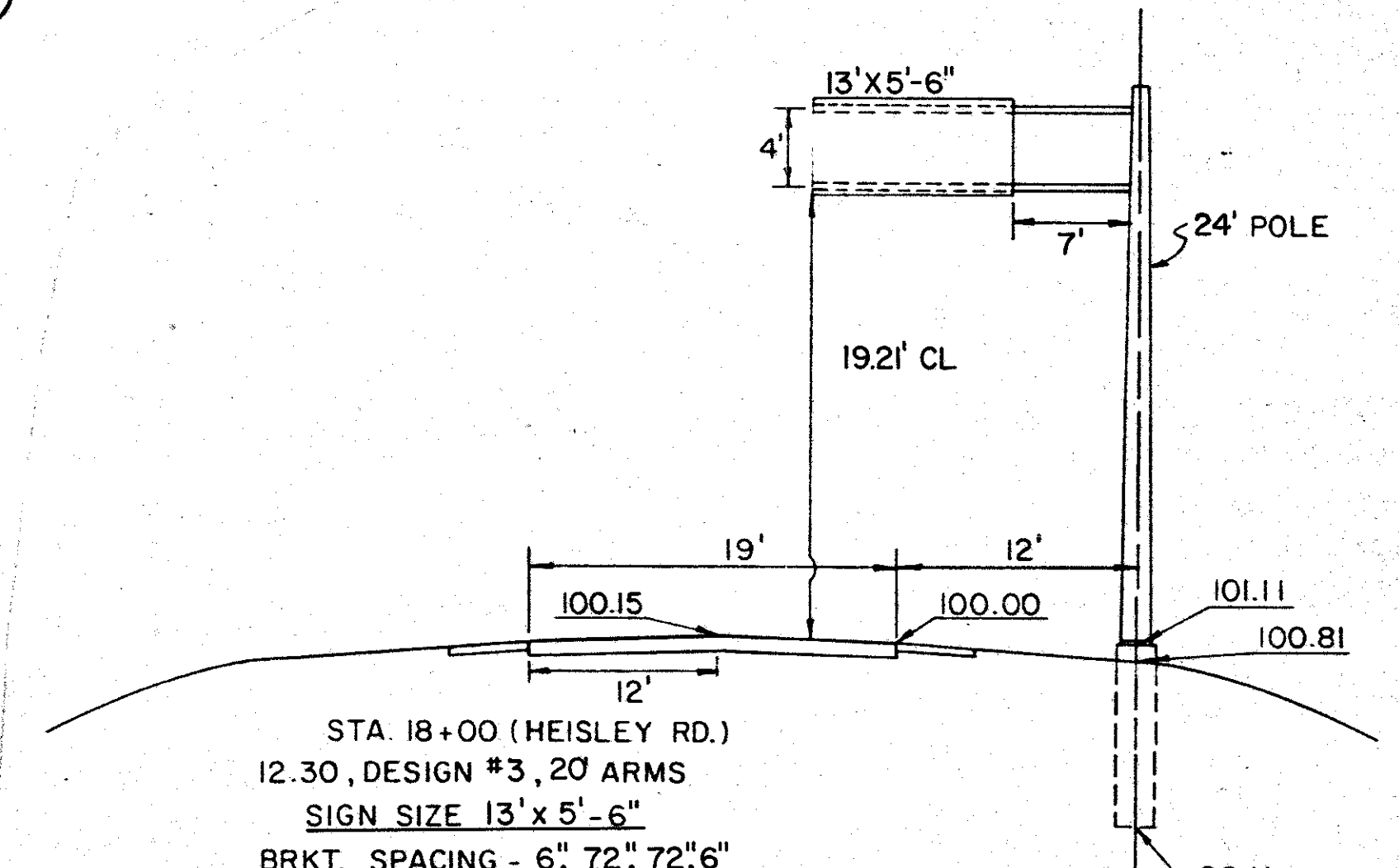
STA. 552+00 E.B.
 7.65 DESIGN No. 8, MOD. 78' SPAN
 SIGN SIZE - 12'x10'-0"
 BRKT. SPACING - 6", 66", 66", 6"
 No. OF BRKT. - 3 Z BRKT'S - HT. 10'-6"
 SIGN SIZE - 19'x10'-0"
 BRKT. SPACING - 14 5/8", 99 3/8", 99 3/8", 14 5/8"
 No. OF BRKT. - 3 Z BRKT'S - HT. 10'-6"

131



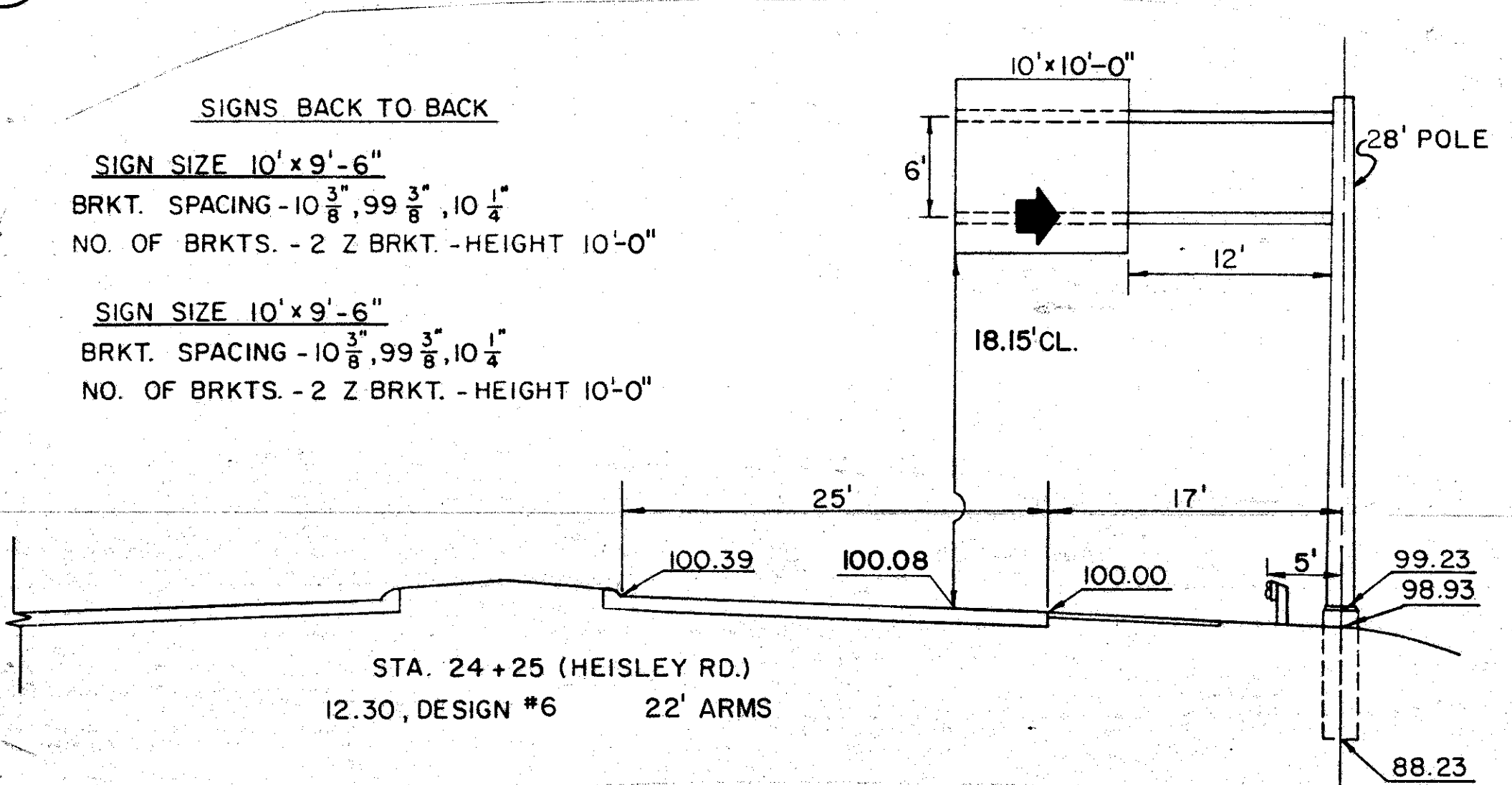
STA. 575+47 WB
 12.30, DESIGN # 8, 28' ARMS
 SIGN SIZE 19'x10'-0"
 BRKT. SPACING - 14 5/8", 99 3/8", 99 3/8", 14 5/8"
 NO. OF BRKTS. - 3 Z BRKT. - HEIGHT 10'-6"

160



STA. 18+00 (HEISLEY RD.)
 12.30, DESIGN #3, 20' ARMS
 SIGN SIZE 13'x5'-6"
 BRKT. SPACING - 6", 72", 72", 6"
 NO. OF BRKTS. - 3 Z BRKT. - HEIGHT 5'-6"

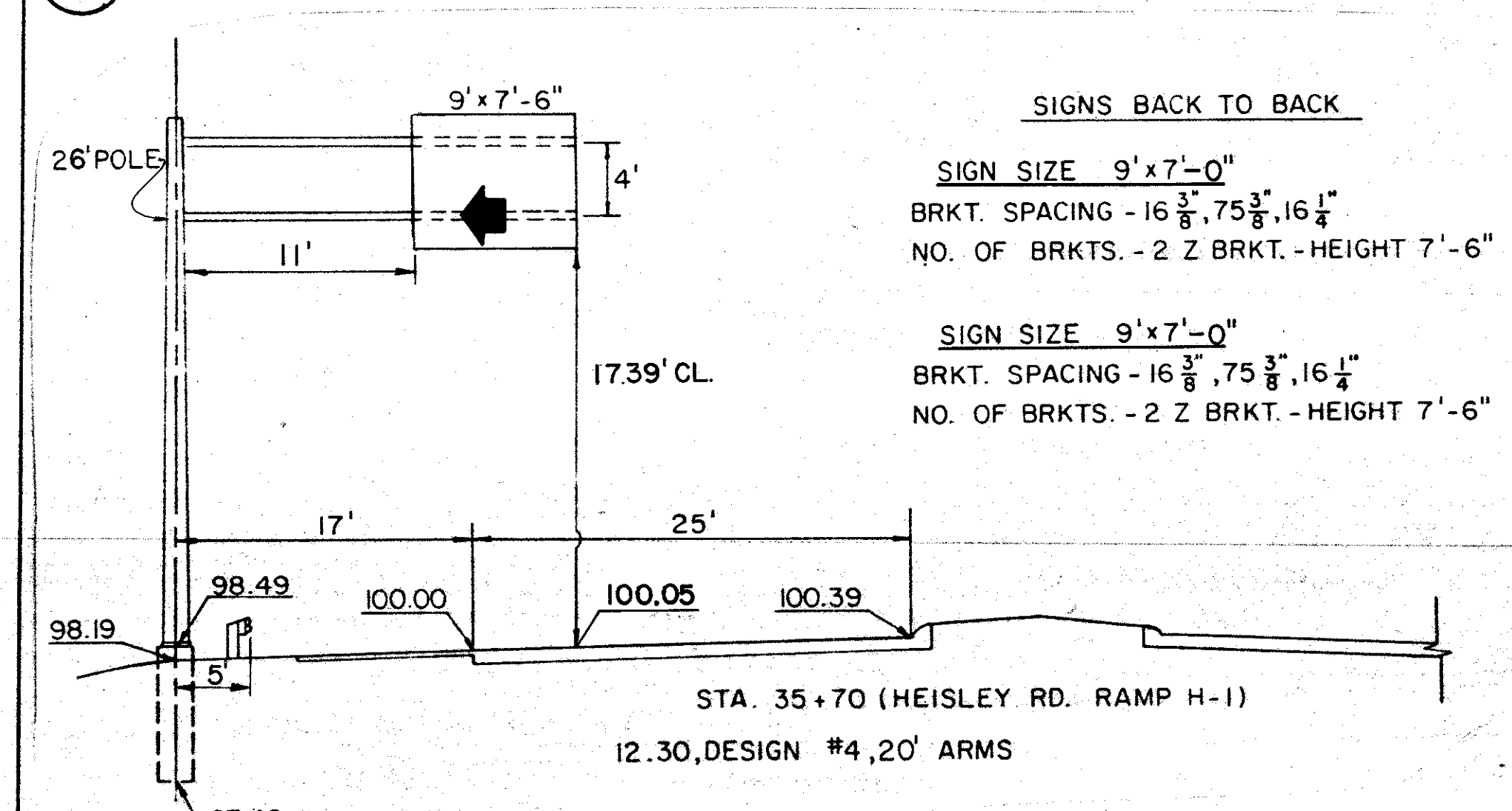
163



SIGNS BACK TO BACK
 SIGN SIZE 10'x9'-6"
 BRKT. SPACING - 10 3/8", 99 3/8", 10 1/4"
 NO. OF BRKTS. - 2 Z BRKT. - HEIGHT 10'-0"
 SIGN SIZE 10'x9'-6"
 BRKT. SPACING - 10 3/8", 99 3/8", 10 1/4"
 NO. OF BRKTS. - 2 Z BRKT. - HEIGHT 10'-0"

STA. 24+25 (HEISLEY RD.)
 12.30, DESIGN #6 22' ARMS

167



SIGNS BACK TO BACK
 SIGN SIZE 9'x7'-0"
 BRKT. SPACING - 16 3/8", 75 3/8", 16 1/4"
 NO. OF BRKTS. - 2 Z BRKT. - HEIGHT 7'-6"
 SIGN SIZE 9'x7'-0"
 BRKT. SPACING - 16 3/8", 75 3/8", 16 1/4"
 NO. OF BRKTS. - 2 Z BRKT. - HEIGHT 7'-6"

STA. 35+70 (HEISLEY RD. RAMP H-1)
 12.30, DESIGN #4, 20' ARMS