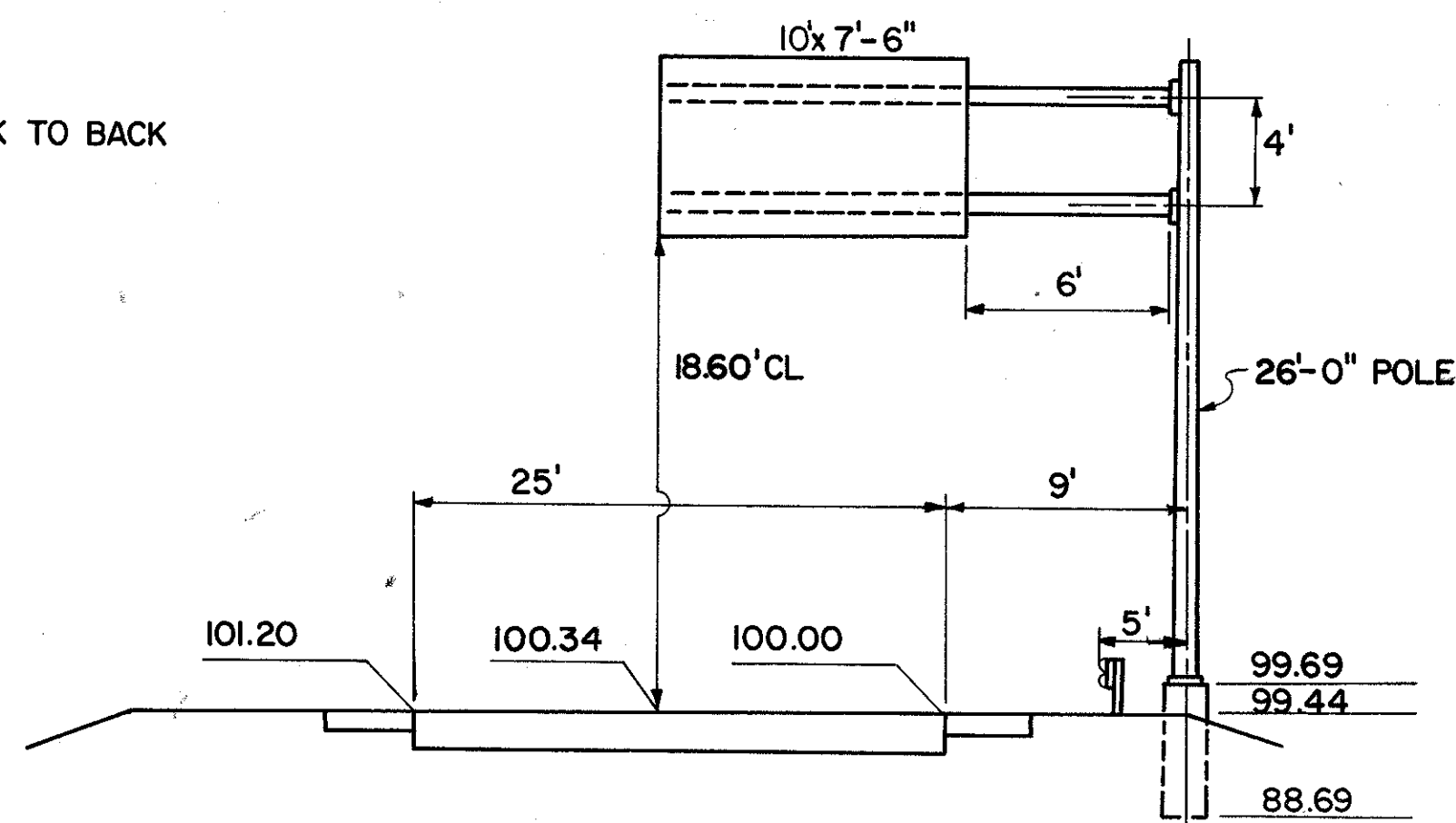


44

BACK TO BACK



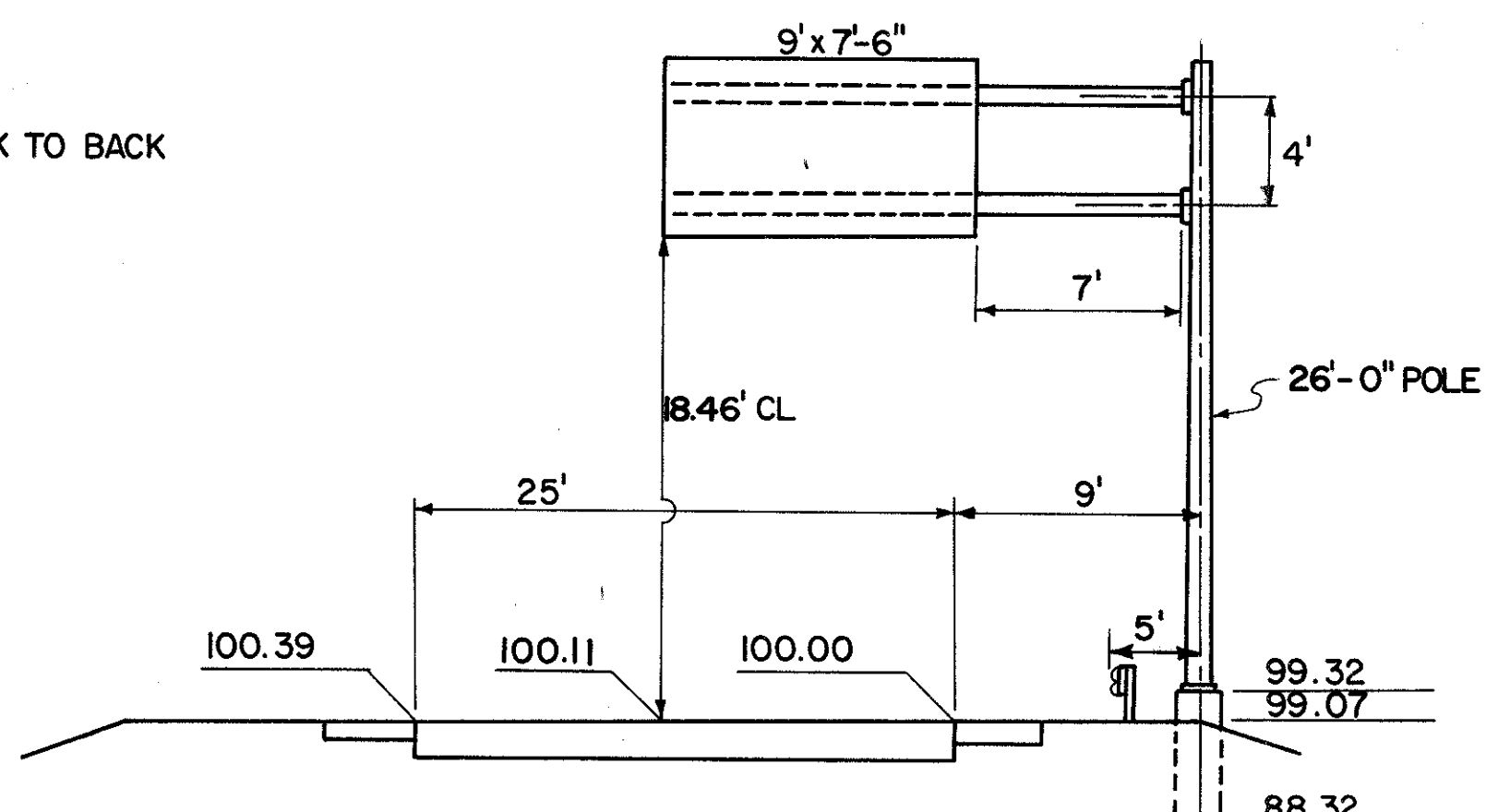
STA. 23+90 S.R. 306  
12.30 DESIGN NO. 3, 16' ARMS

SIGN SIZE 10'x7'-0"  
BRKT. SPACING 10 3/8", 99 3/8", 10 1/4"  
NO. OF BRK'TS-2 Z BRK'TS-HT. 7'-6"

SIGN SIZE 10'x7'-0"  
BRKT. SPACING 10 3/8", 99 3/8", 10 1/4"  
NO. OF BRK'TS-2 Z BRK'TS-HT. 7'-6"

47

BACK TO BACK



STA. 35+10 S.R. 306  
12.30 DESIGN NO. 3, 16' ARMS

SIGN SIZE 9'x7'-0"  
BRKT. SPACING 16 3/8", 75 3/8", 16 1/4"  
NO. OF BRK'TS-2 Z BRK'TS-HT. 7'-6"

SIGN SIZE 9'x7'-0"  
BRKT. SPACING 16 3/8", 75 3/8", 16 1/4"  
NO. OF BRK'TS-2 Z BRK'TS-HT. 7'-6"

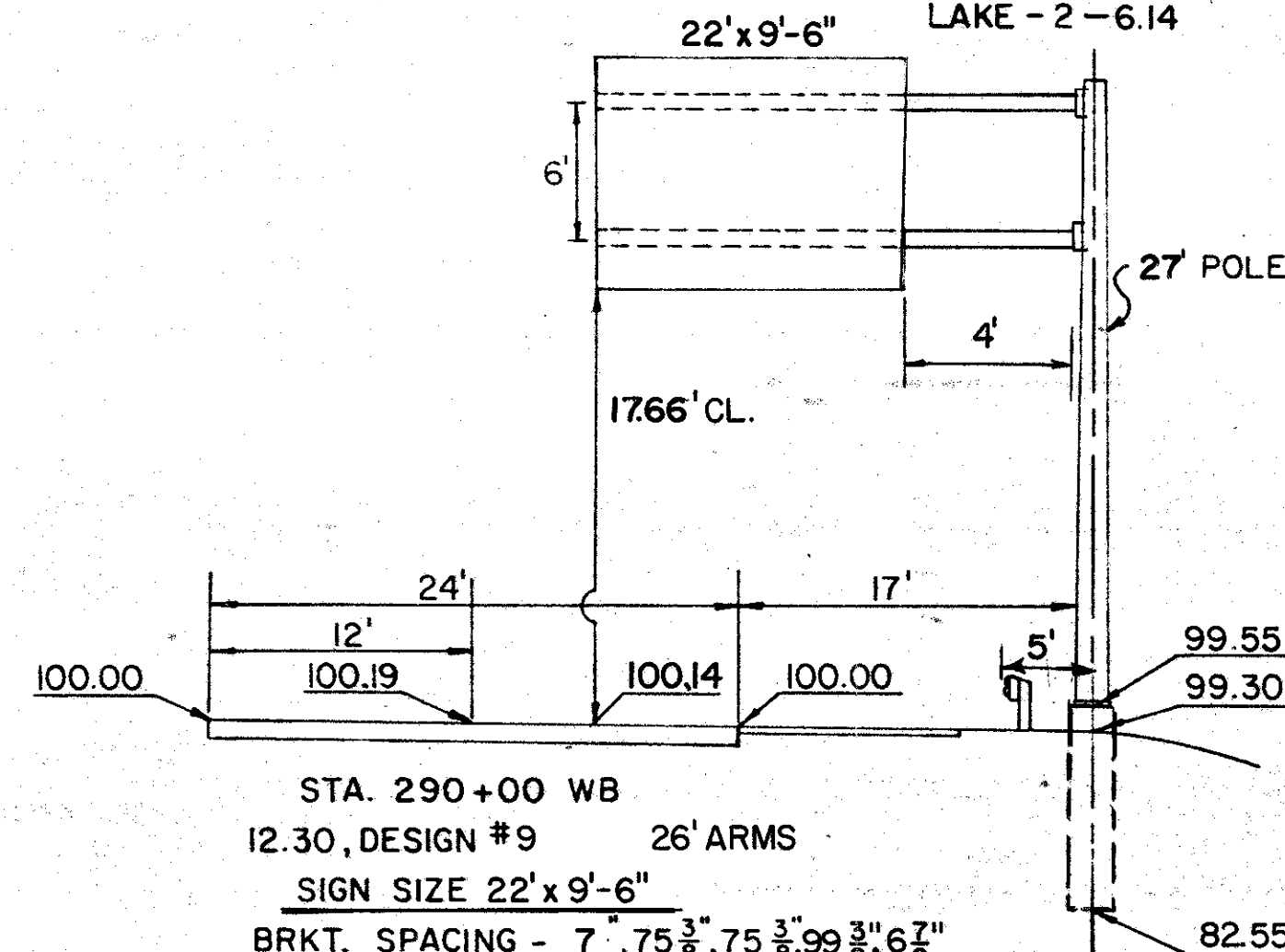
52

FHWA REGION	STATE	PROJECT
5	OHIO	

131

153

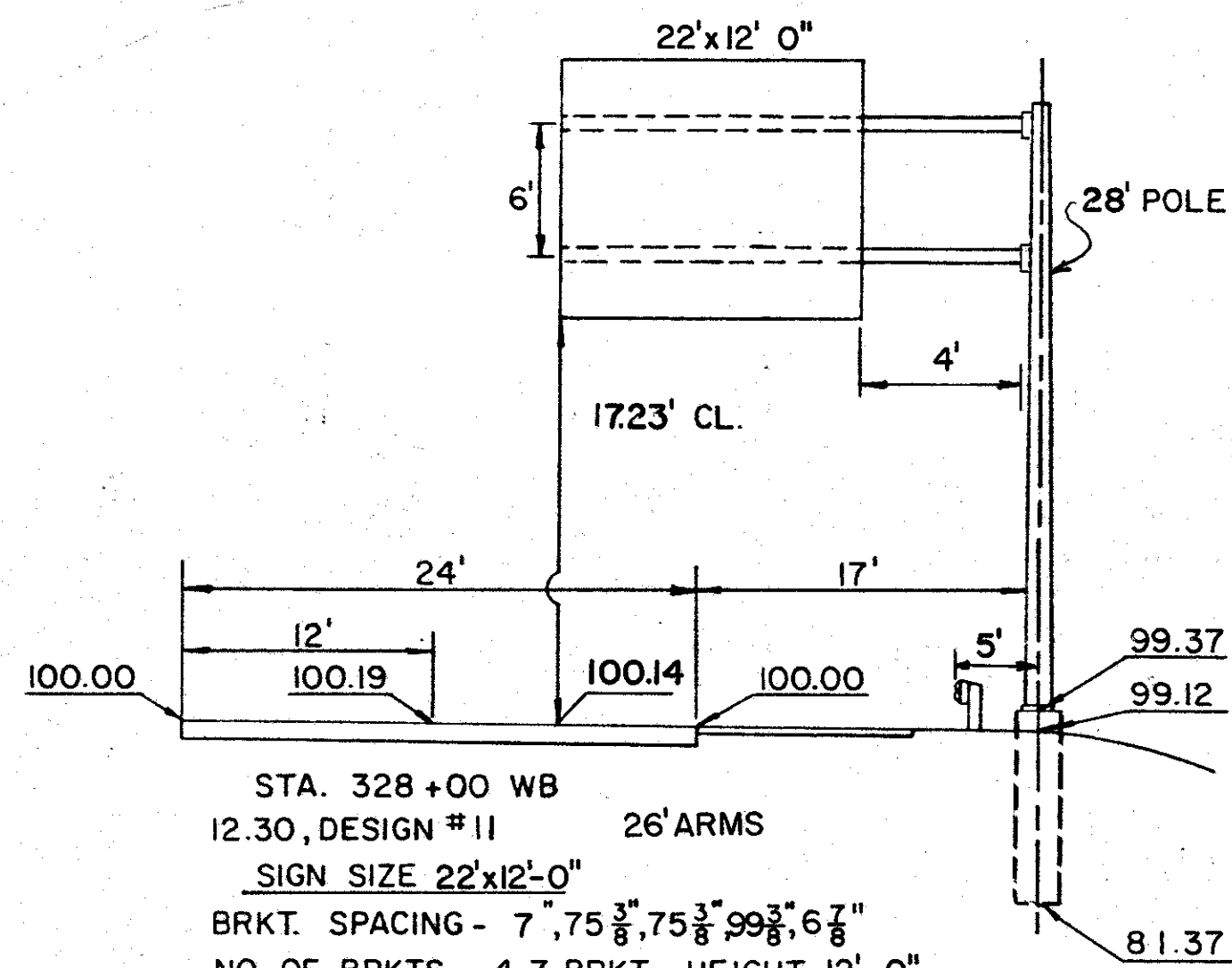
LAKE COUNTY  
LAKE - 2 - 6.14



STA. 290+00 WB  
12.30, DESIGN #9 26' ARMS

SIGN SIZE 22'x9'-6"  
BRKT. SPACING - 7', 75 3/8", 75 3/8", 99 3/8", 6 7/8"  
NO. OF BRKTS. - 4 Z BRKT.-HEIGHT 9'-6"

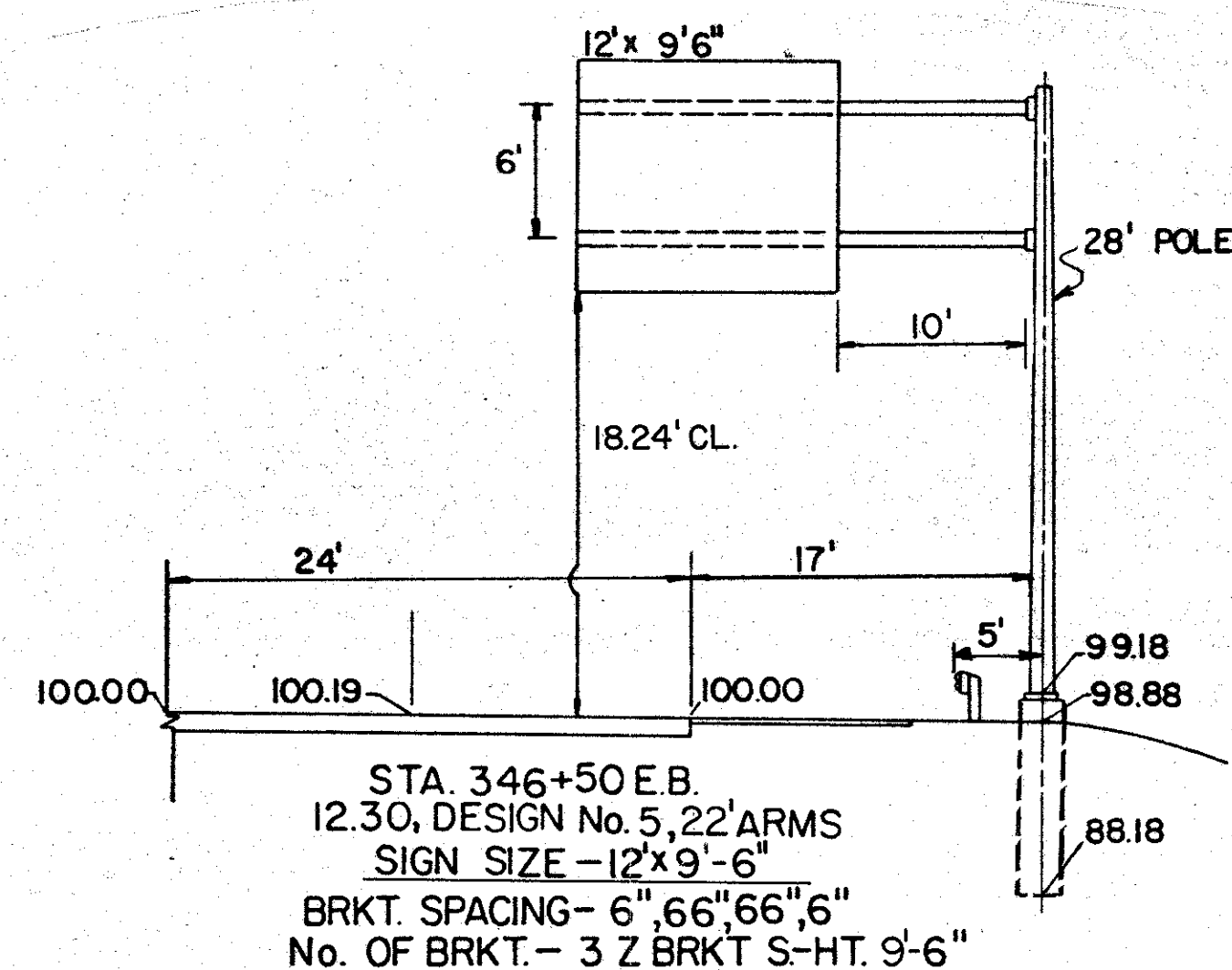
60



STA. 328+00 WB  
12.30, DESIGN #11 26' ARMS

SIGN SIZE 22'x12'-0"  
BRKT. SPACING - 7', 75 3/8", 75 3/8", 99 3/8", 6 7/8"  
NO. OF BRKTS. - 4 Z BRKT.-HEIGHT 12'-0"

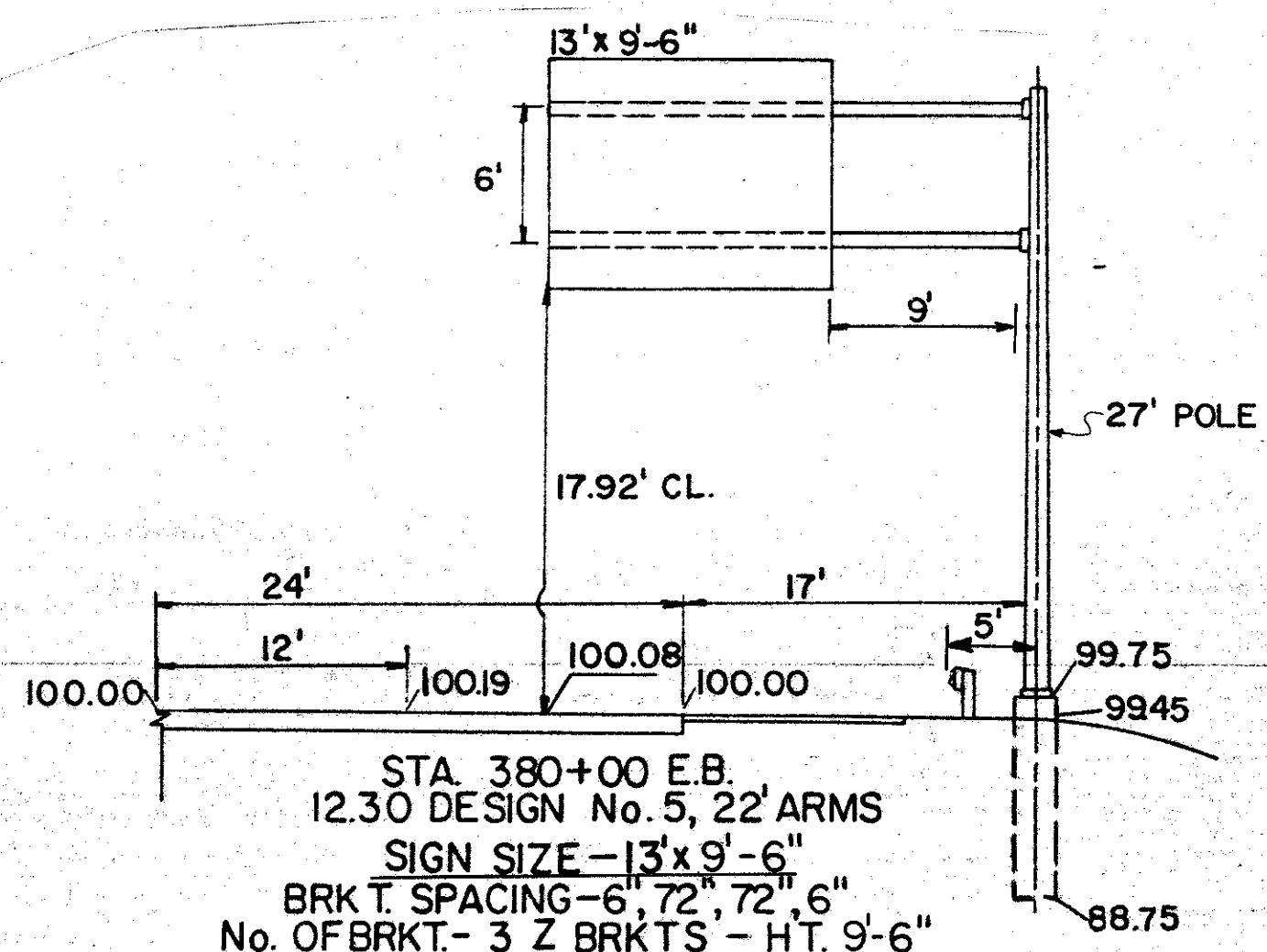
61



STA. 346+50 E.B.  
12.30, DESIGN No. 5, 22' ARMS

SIGN SIZE -12'x9'-6"  
BRKT. SPACING - 6', 66", 66", 6"  
No. OF BRKT. - 3 Z BRKT S-HT. 9'-6"

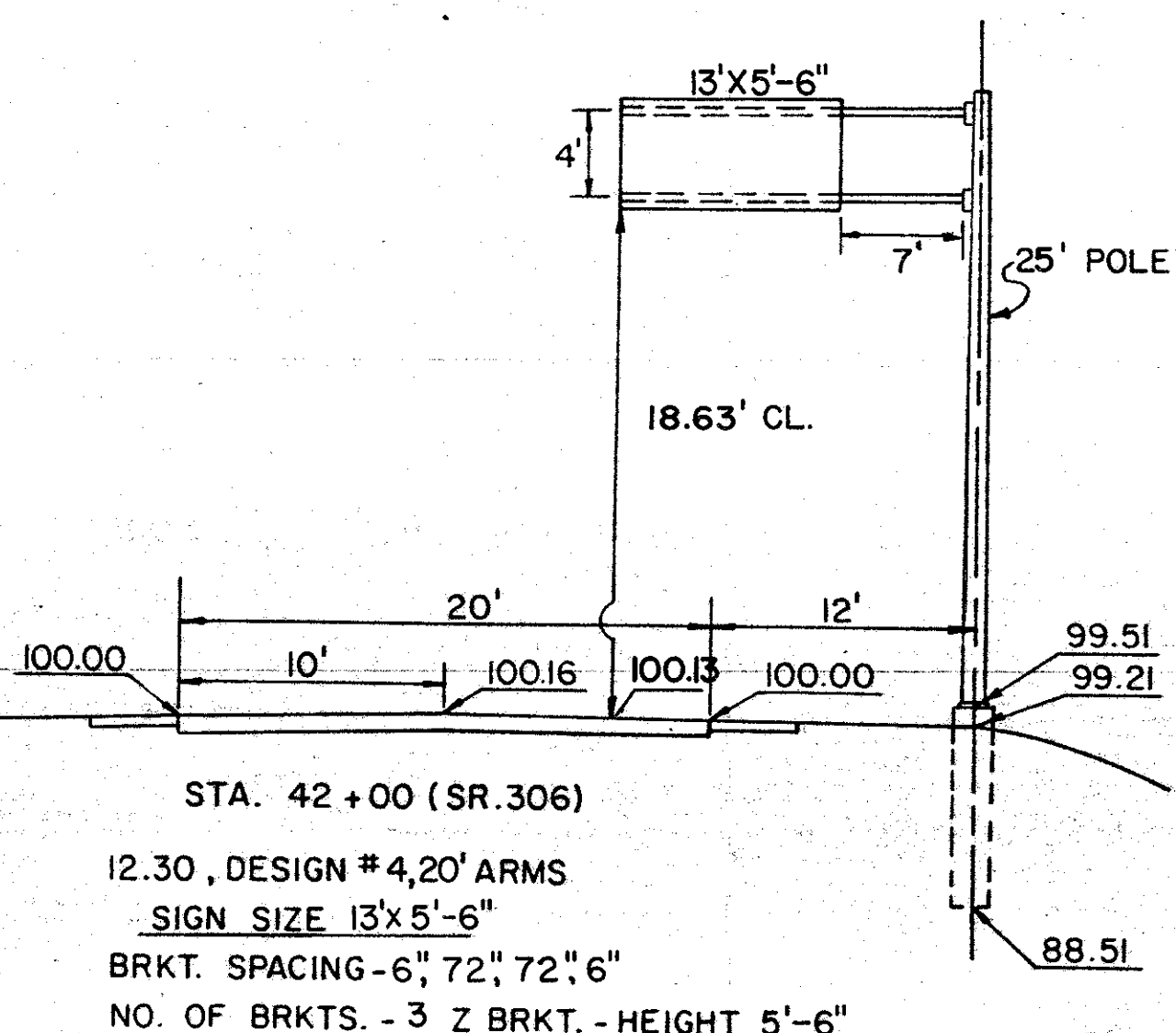
68



STA. 380+00 E.B.  
12.30 DESIGN No. 5, 22' ARMS

SIGN SIZE -13'x9'-6"  
BRKT. SPACING - 6', 72", 72", 6"  
No. OF BRKT. - 3 Z BRKTS - HT. 9'-6"

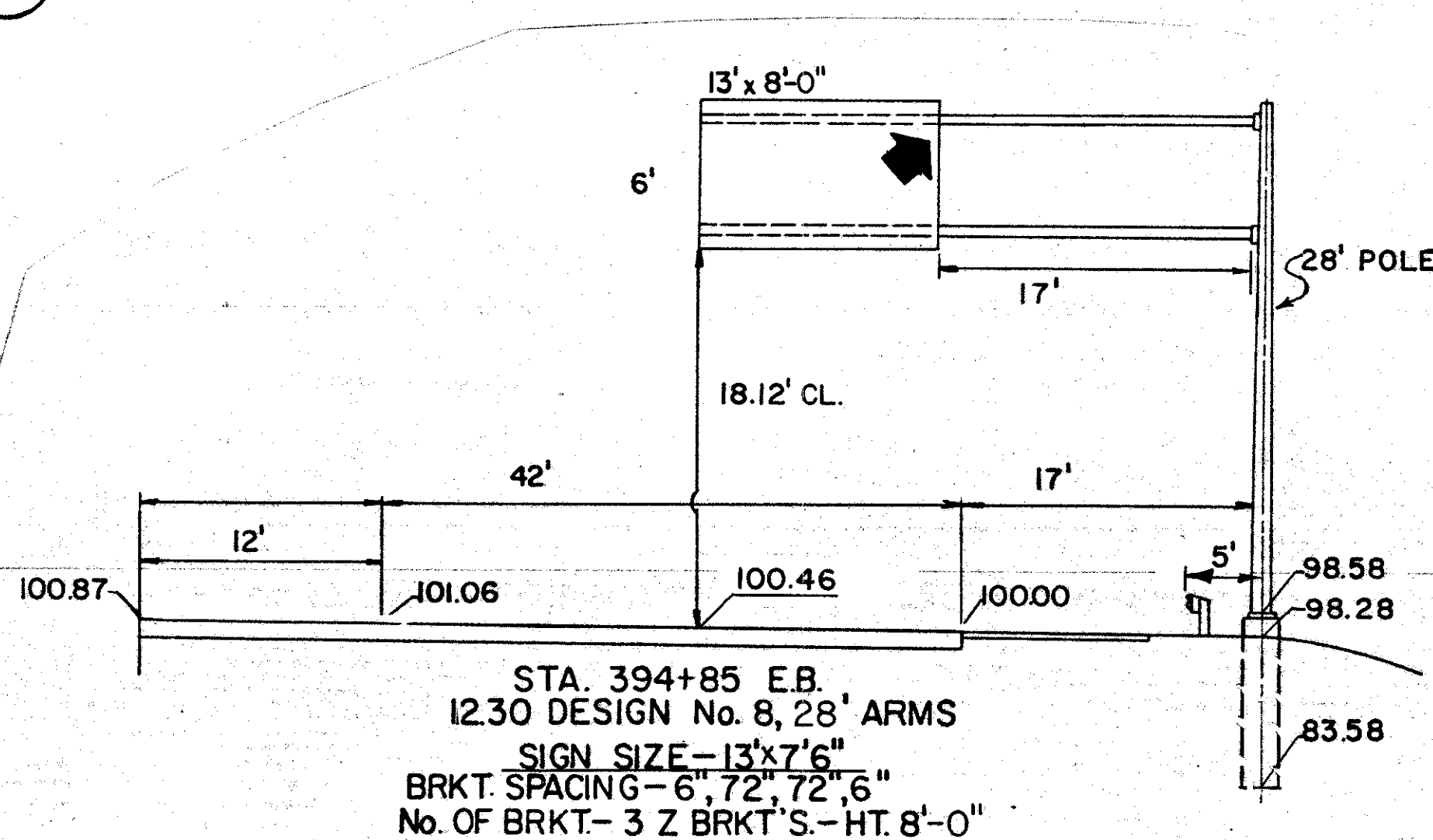
49



STA. 42+00 (SR.306)

12.30, DESIGN #4, 20' ARMS  
SIGN SIZE 13'x5'-6"  
BRKT. SPACING - 6', 72", 72", 6"  
NO. OF BRKTS. - 3 Z BRKT. - HEIGHT 5'-6"

70



STA. 394+85 E.B.  
12.30 DESIGN No. 8, 28' ARMS

SIGN SIZE -13'x7'-6"  
BRKT. SPACING - 6', 72", 72", 6"  
No. OF BRKT. - 3 Z BRKTS - HT. 8'-0"