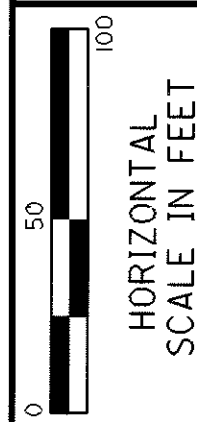
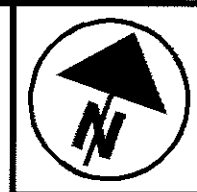
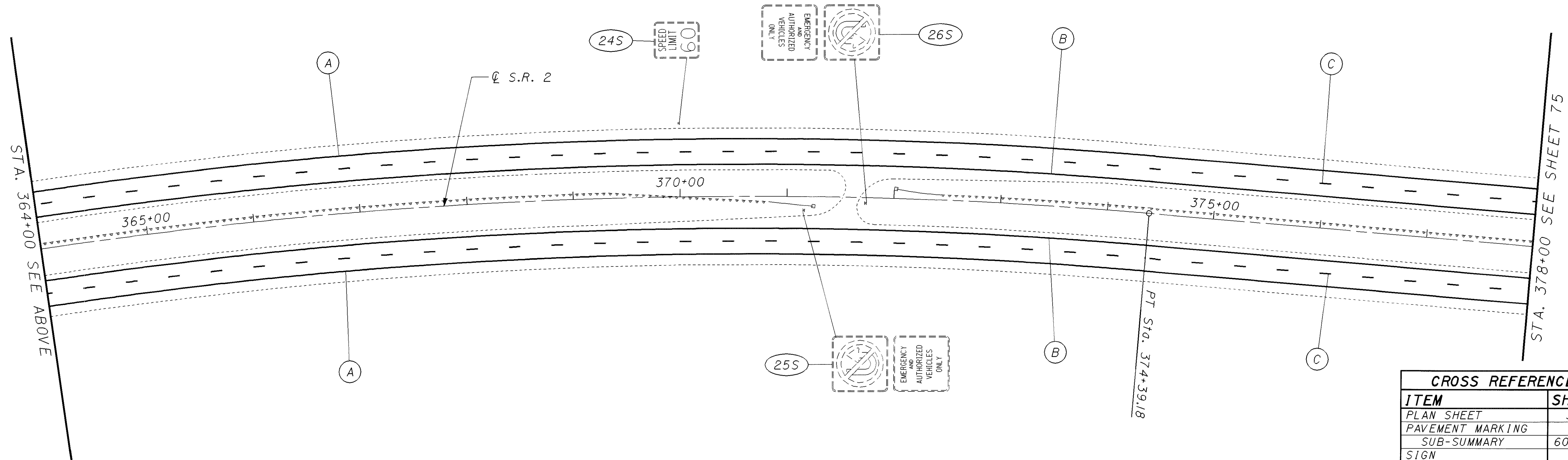
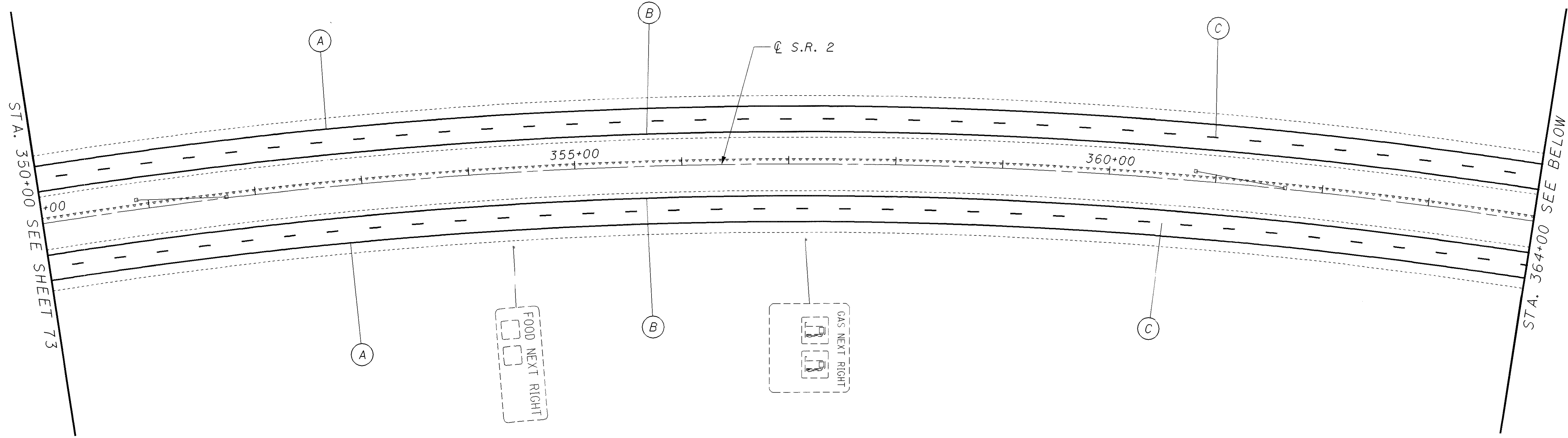


I:\PROJECTS\PI\19530\DGN\19530Tpt.dgn 22-AUG-2001 10:52AM fkonopka



CALCULATED GUN
CHECKED LDH

TRAFFIC CONTROL PLAN SHEET - S.R. 2
STA. 350+00 TO STA. 378+00

LAK-2-6.12

CROSS REFERENCE	
ITEM	SHEET
PLAN SHEET	37
PAVEMENT MARKING	
SUB-SUMMARY	60,61
SIGN	
SUB-SUMMARY	65
LEGEND	67

74
85