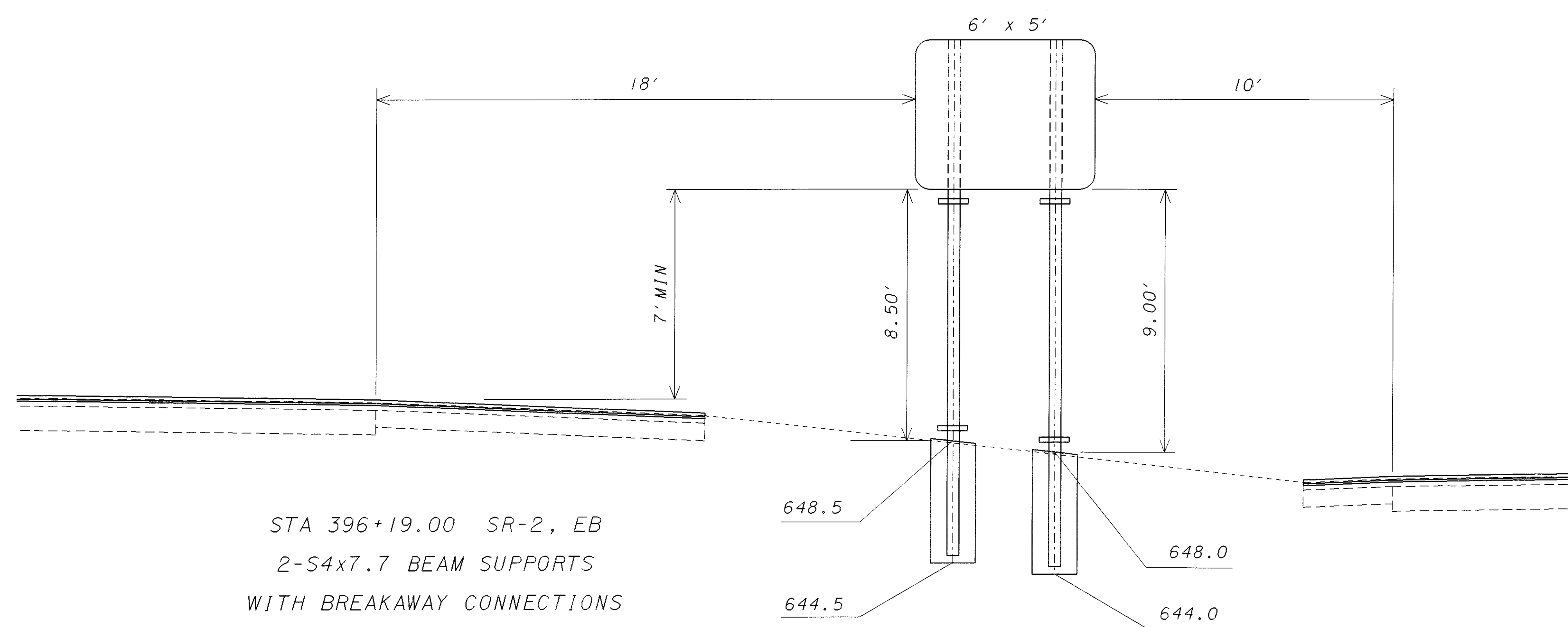


STA 234+38 SR-2, EB
 2-W6X9 BEAM SUPPORTS
 WITH BREAKAWAY CONNECTIONS

15

* REFER TO SHEET 67 FOR LOCATION



STA 396+19.00 SR-2, EB
 2-S4X7.7 BEAM SUPPORTS
 WITH BREAKAWAY CONNECTIONS

29S

* REFER TO SHEET 75 FOR LOCATION

CALCULATED G J N
 CHECKED LDH
 5

SCALE: 1/8" = 1'-0"

SIGN ELEVATION VIEWS

LAKE COUNTY
 LAK-2-6.12

66
 85