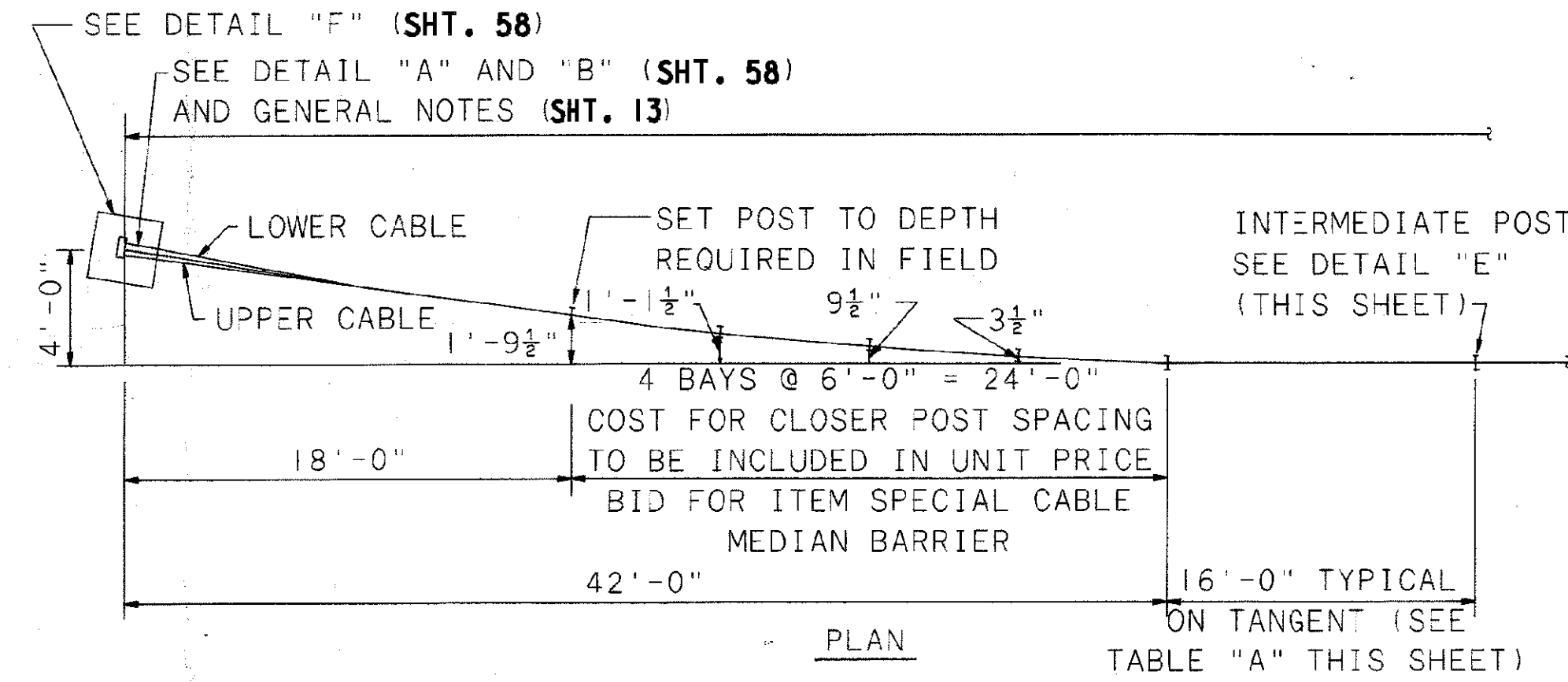


TYPICAL CABLE MEDIAN BARRIER ANCHORAGE LAYOUT

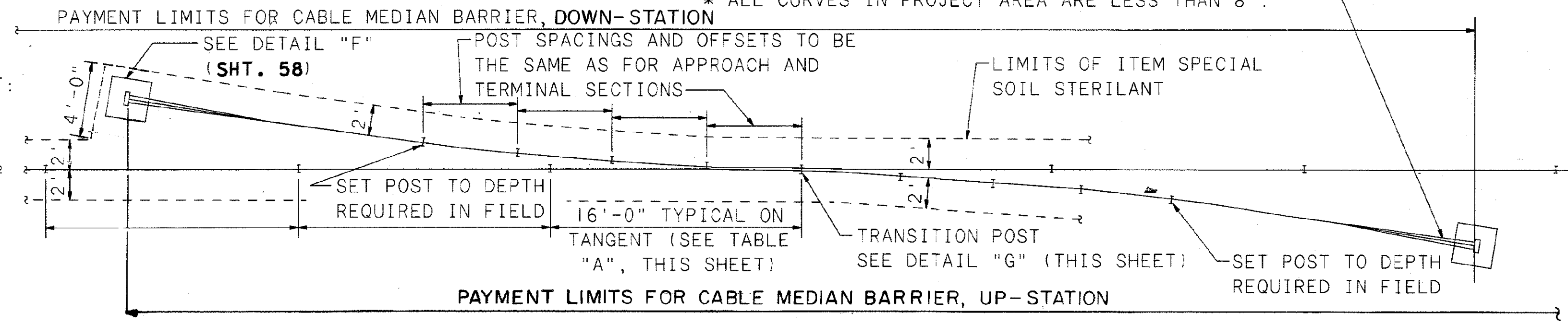
TABLE "A"	
CURVATURE (Degree or Radius)*	POST SPACING
8° OR LESS	16'
MORE THAN 8° TO 13° (440' Radius)	12'

* ALL CURVES IN PROJECT AREA ARE LESS THAN 8°

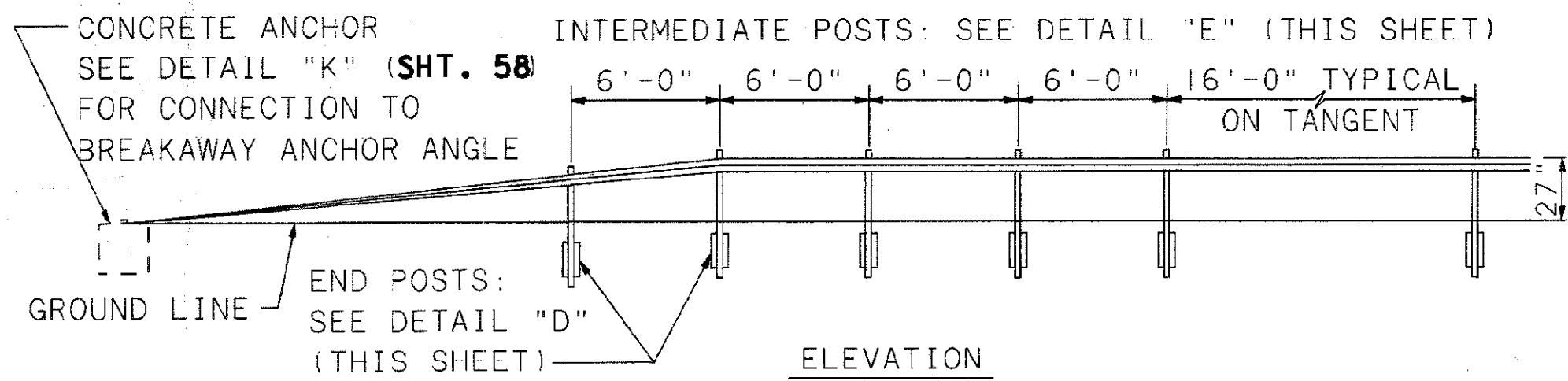
CENTER CABLE SPRING ASSEMBLY TO BE STAGGERED TO AVOID INTERFERENCE WITH OUTSIDE SPRING ASSEMBLIES



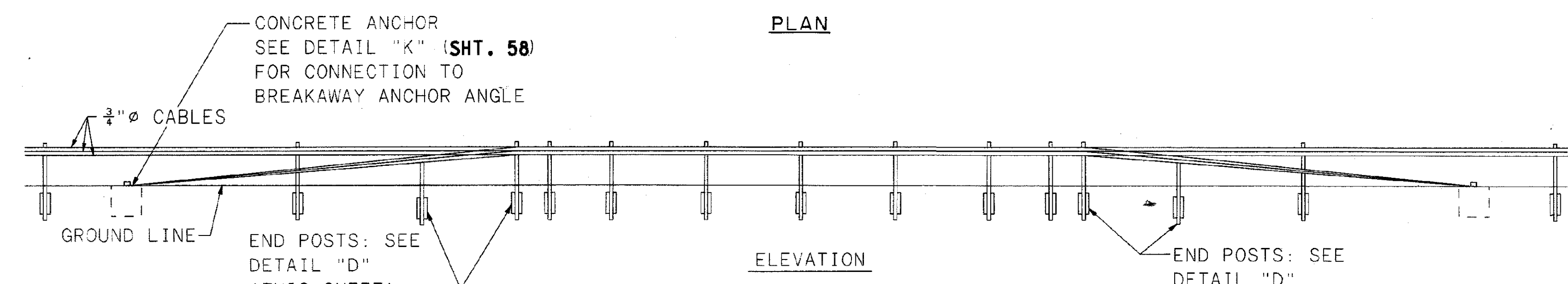
PLAN ON TANGENT (SEE TABLE "A" THIS SHEET)



PLAN

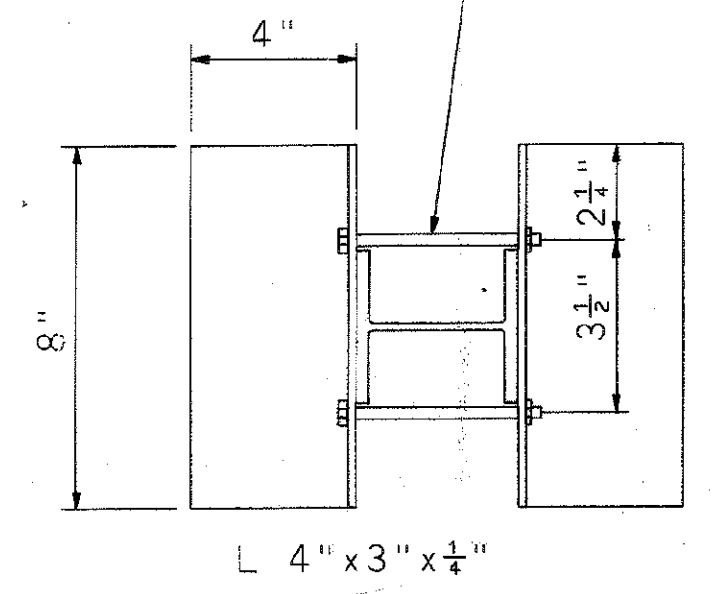


TYPICAL APPROACH & TERMINAL SECTIONS

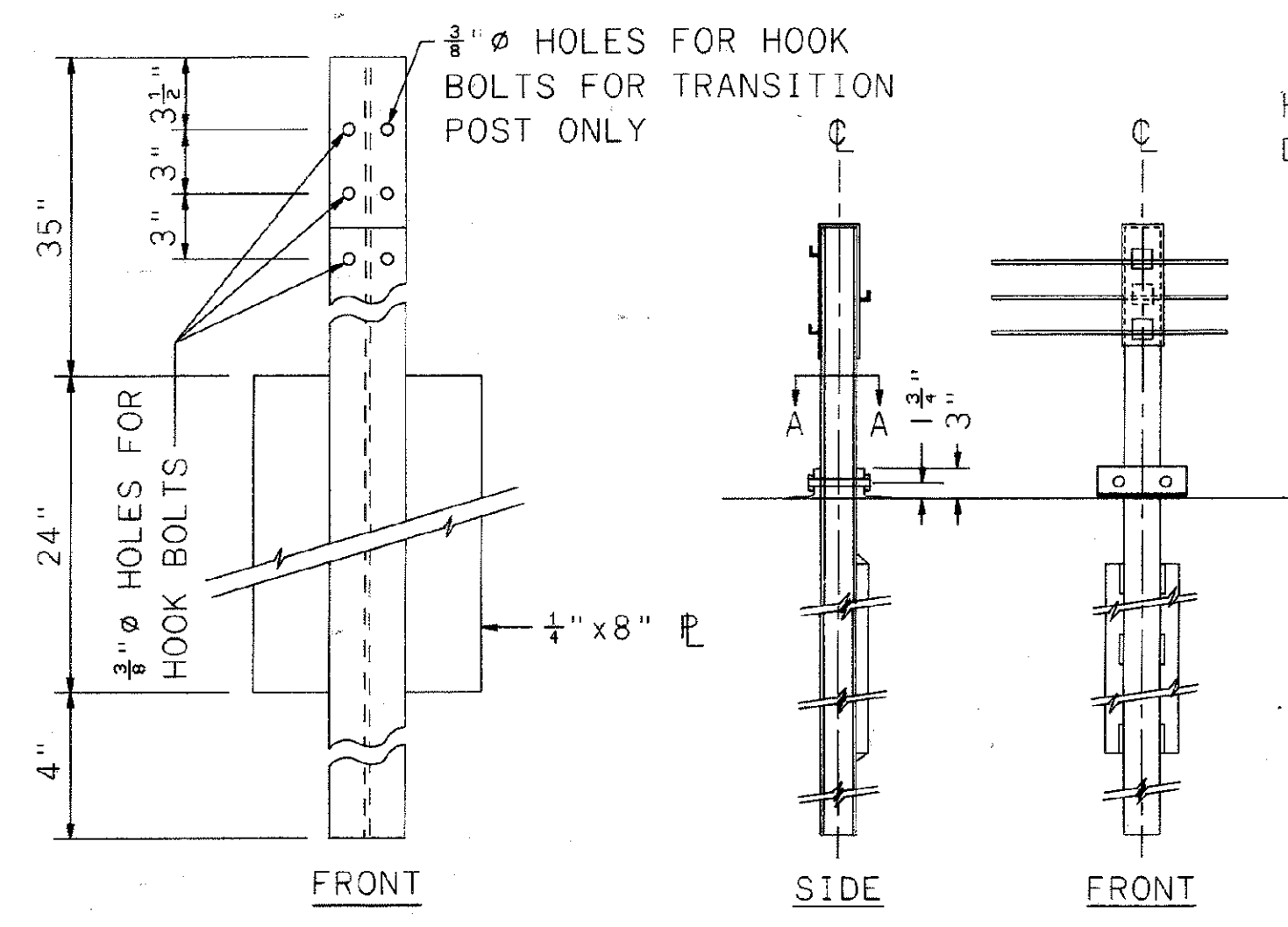


TYPICAL INTERMEDIATE ANCHORAGE SECTION

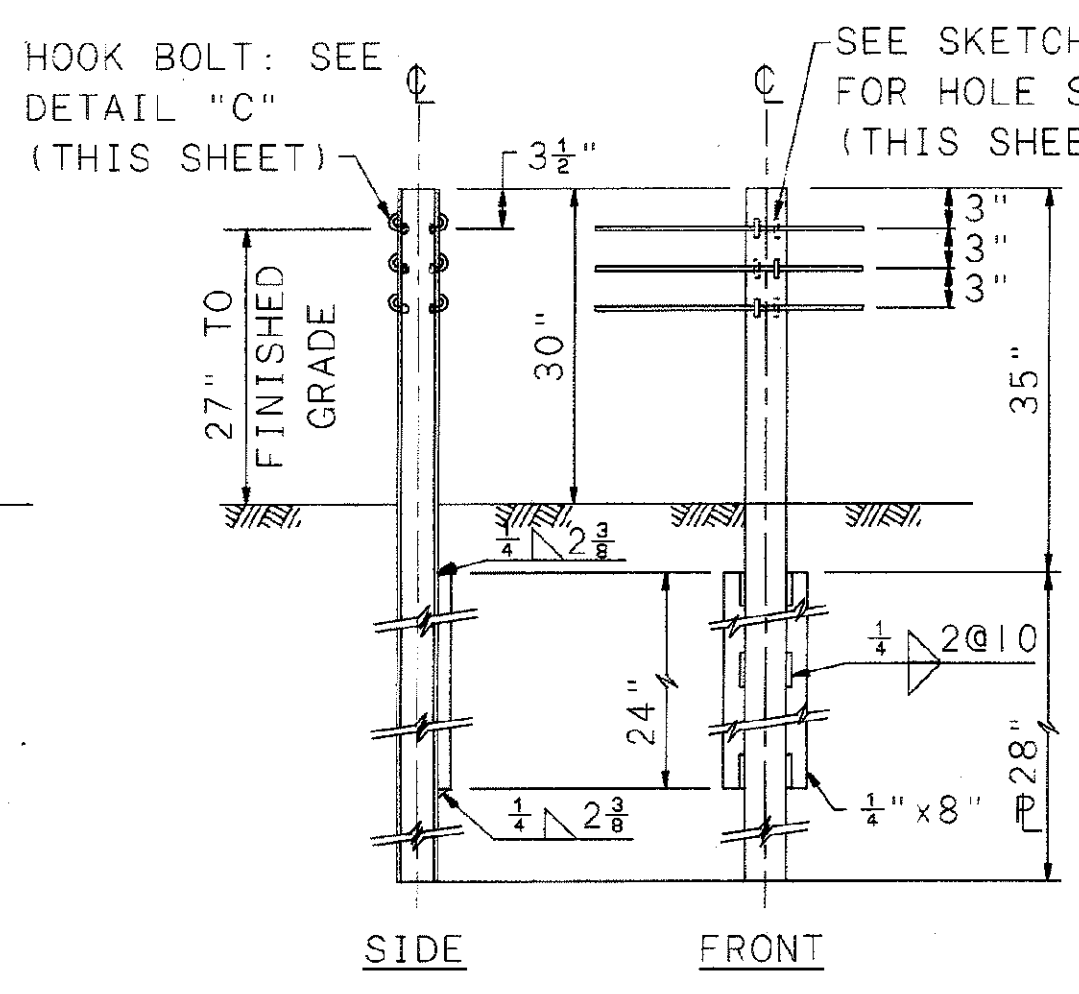
3/8" HOLES FOR 3/4" BOLTS 4 1/2" LONG WITH NUTS AND WASHERS. BOLTS TORQUED TO 100± 20 FT. LBS. AFTER POST IS DRIVEN.



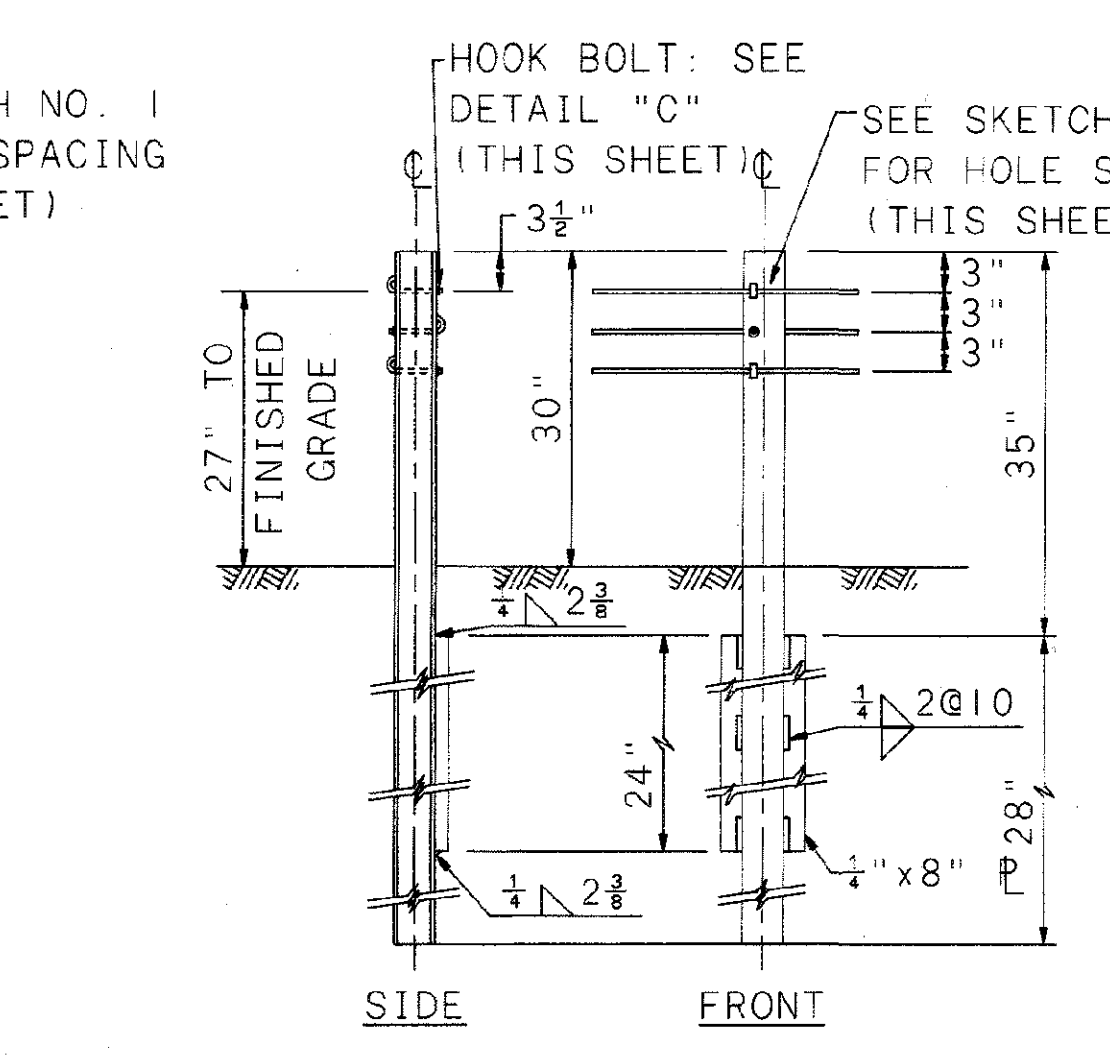
SECTION A-A



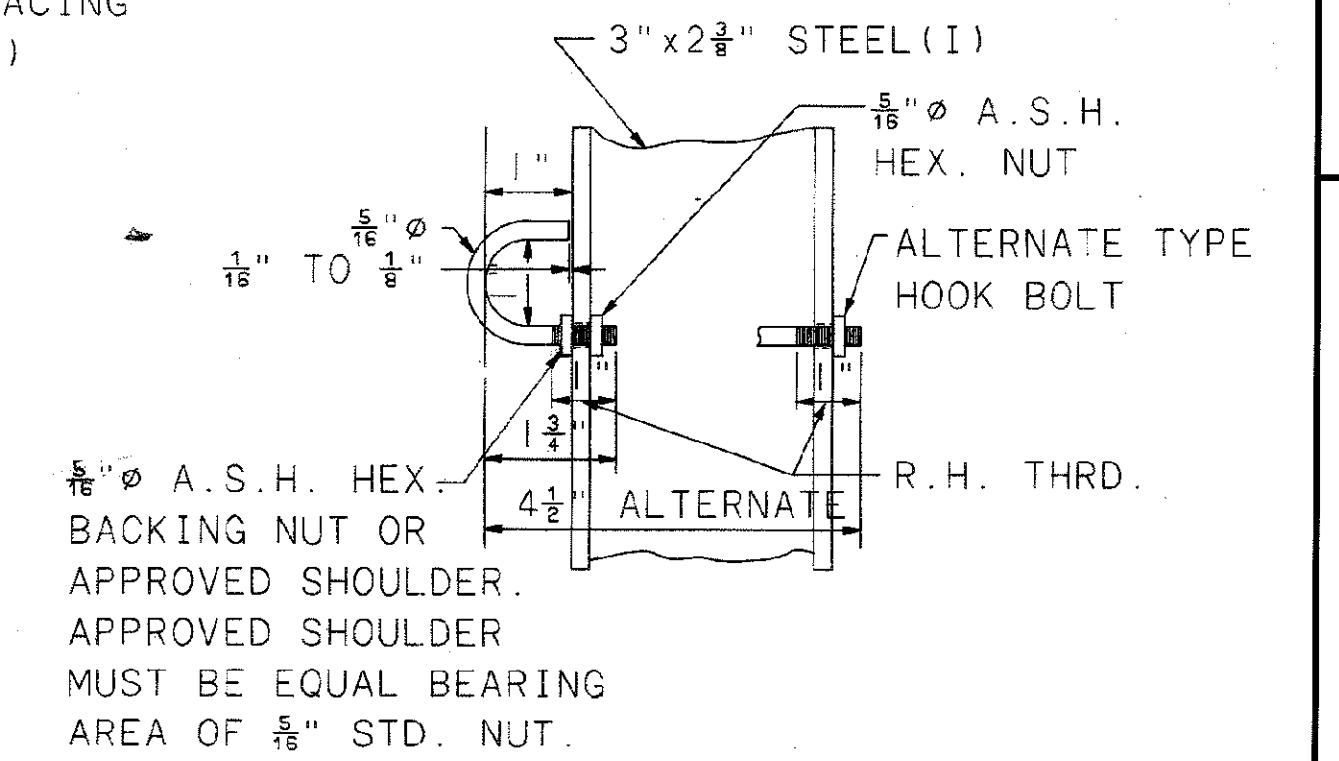
SKETCH NO. 1 INTERMEDIATE POST 3" x 2 1/2" I (STEEL)



DETAIL "G" TRANSITION POST



DETAIL "E" INTERMEDIATE POST



DETAIL "C" HOOK BOLT

I:\PROJECTS\PI\19530.DGN 22-AUG-2001 04:47AM fkonopka