

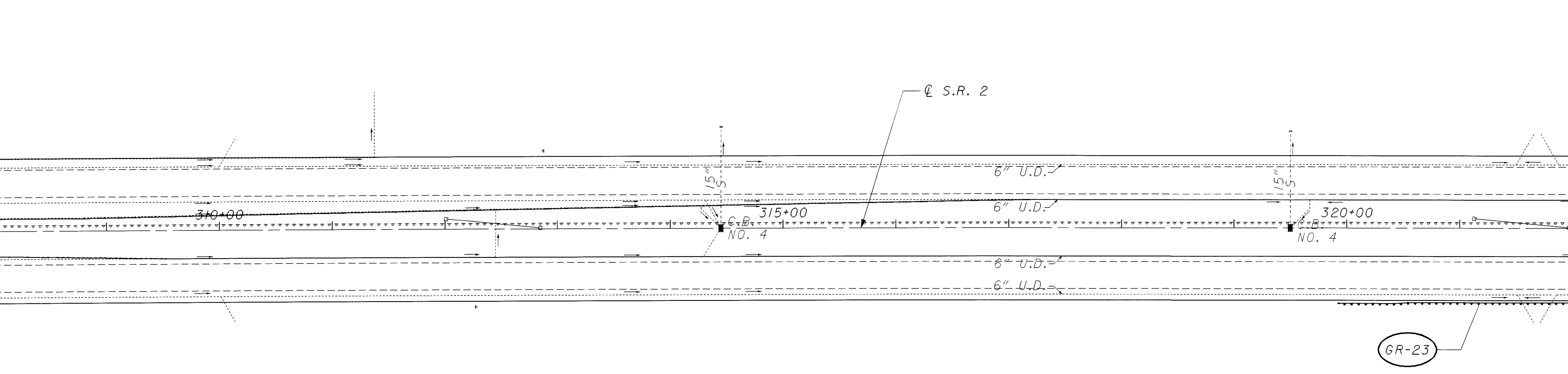
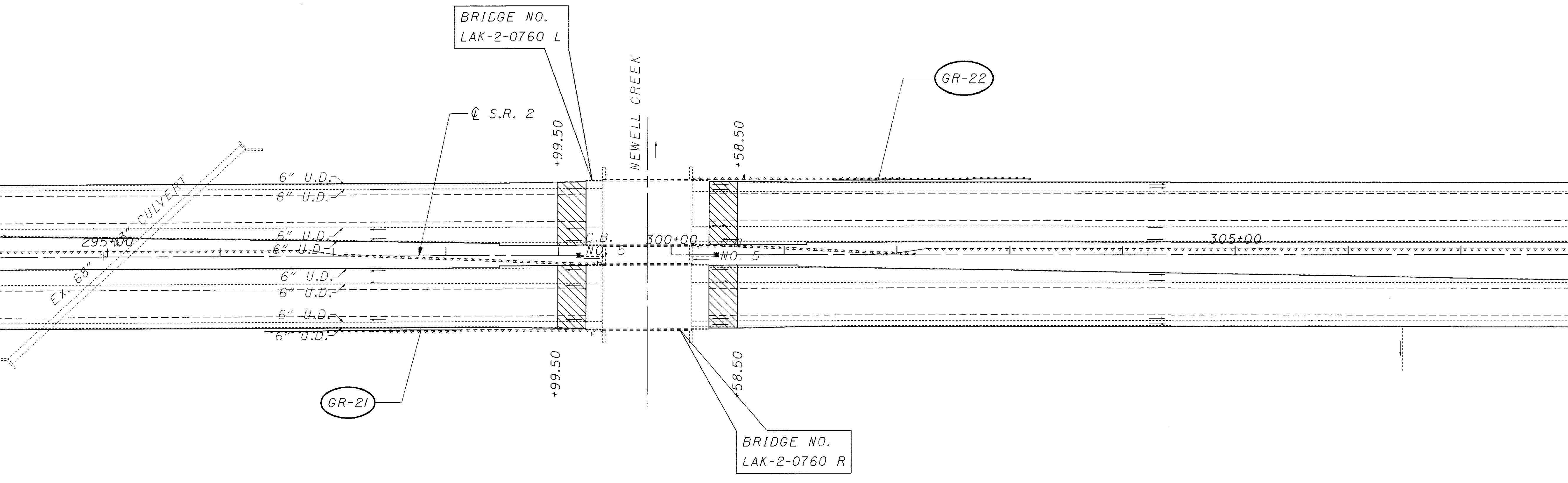
I:\PROJECTS\PL19530\06N19530gpd.dgn 22-AUG-2001 10:07AM fkonopka

STA. 294+00 SEE SHEET 34

STA. 308+00 SEE ABOVE

STA. 308+00 SEE BELOW

STA. 322+00 SEE SHEET 36



CALCULATED  
CJN  
CHECKED  
LDH

0 50 100  
HORIZONTAL  
SCALE IN FEET

**PLAN SHEET - S.R. 2**  
**STA. 294+00 TO STA. 322+00**

**LAK-2-6.12**

CROSS REFERENCE	
ITEM	SHEET
RESURFACING	26,27
GUARDRAIL	28,29
GUARDRAIL DETAILS	54-58
TRAFFIC CONTROL	72
FEATHER DETAIL	53

ASPHALT OVERLAY TRANSITION