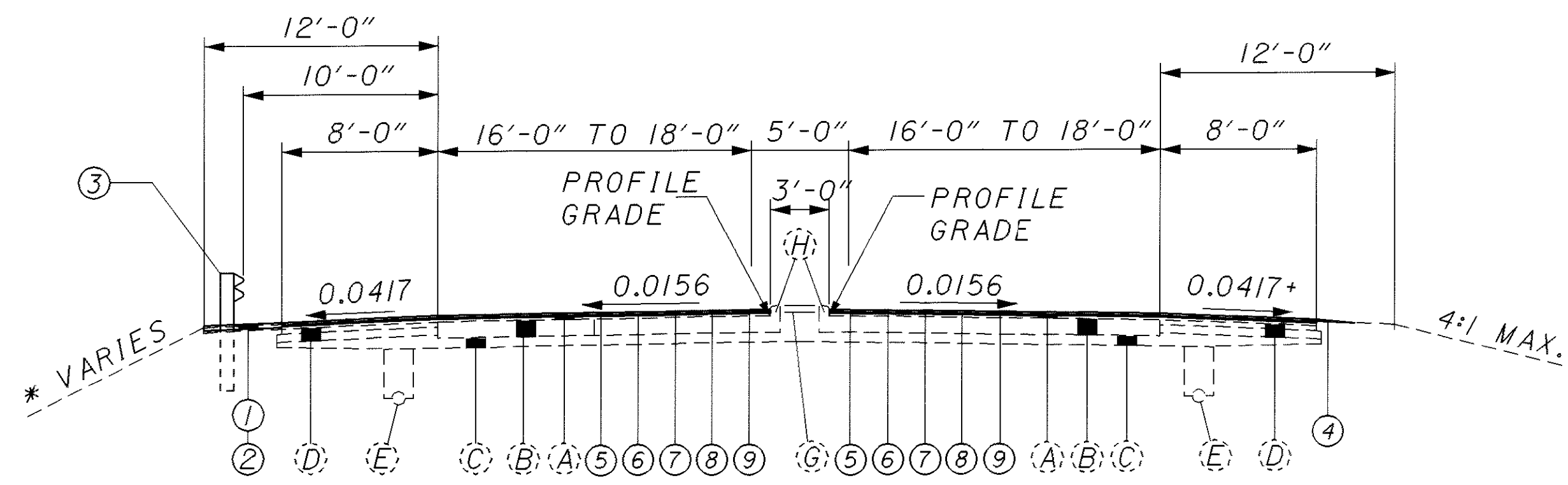
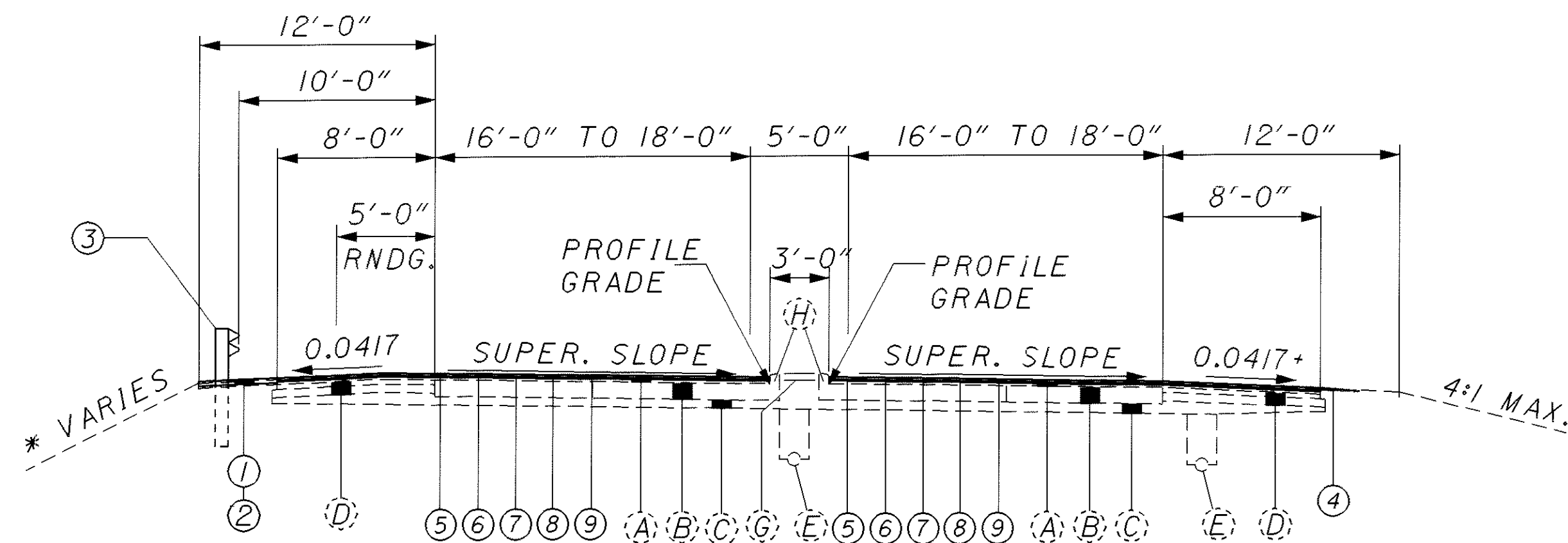


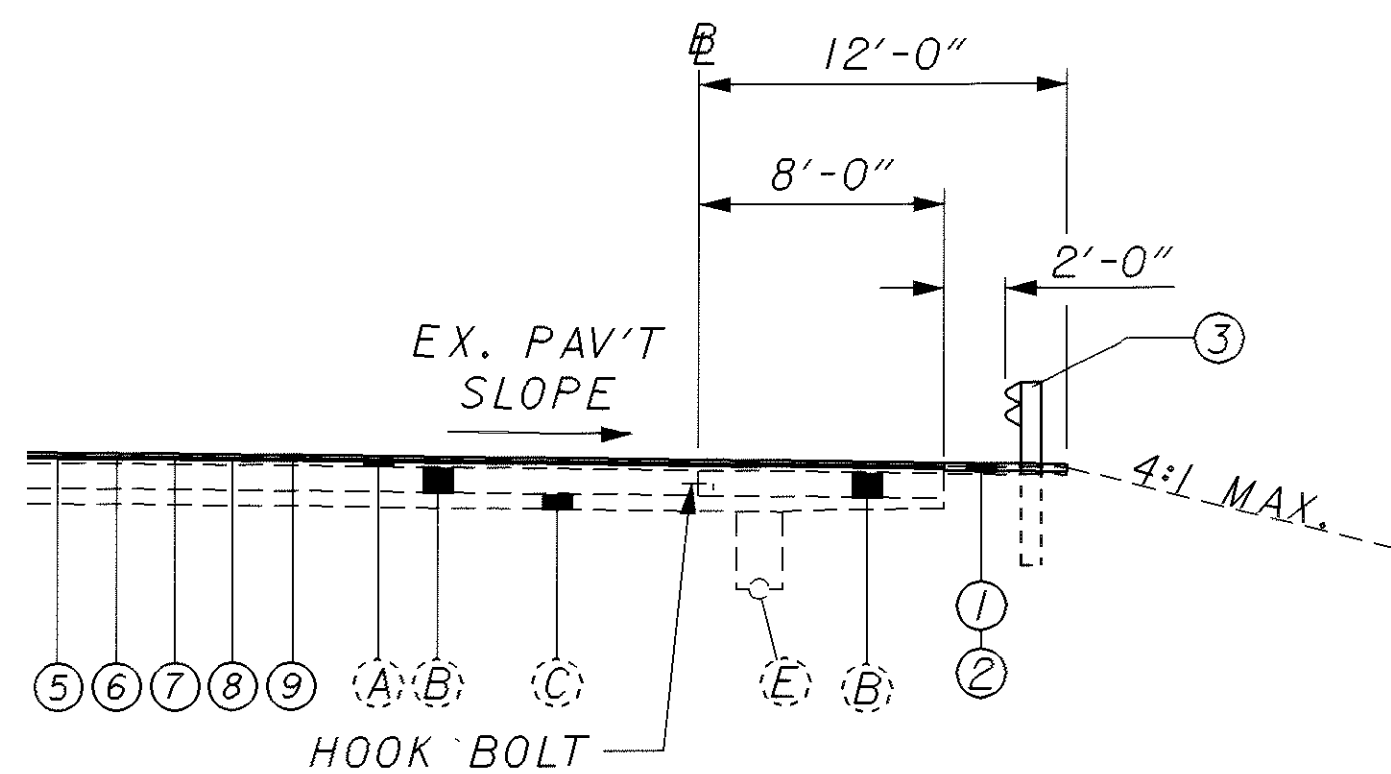
**TYPICAL SECTIONS
RAMPS M & N AND RAMPS I & J**



+ PAVEMENT SLOPE IF GREATER
TYPICAL NORMAL RAMP SECTION - TWO WAY RAMP

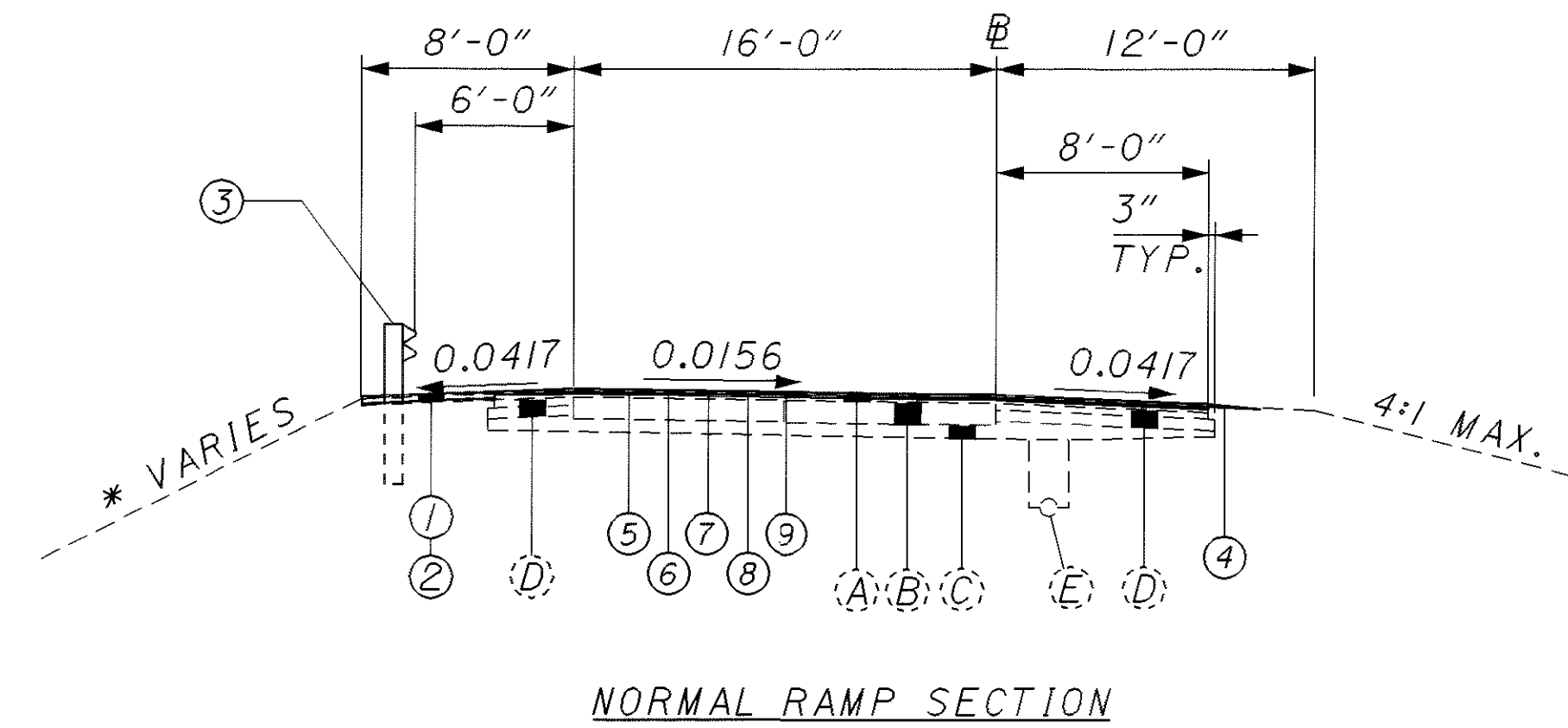


+ PAVEMENT SLOPE IF GREATER
TYPICAL SUPERELEVATED RAMP SECTION - TWO WAY RAMP

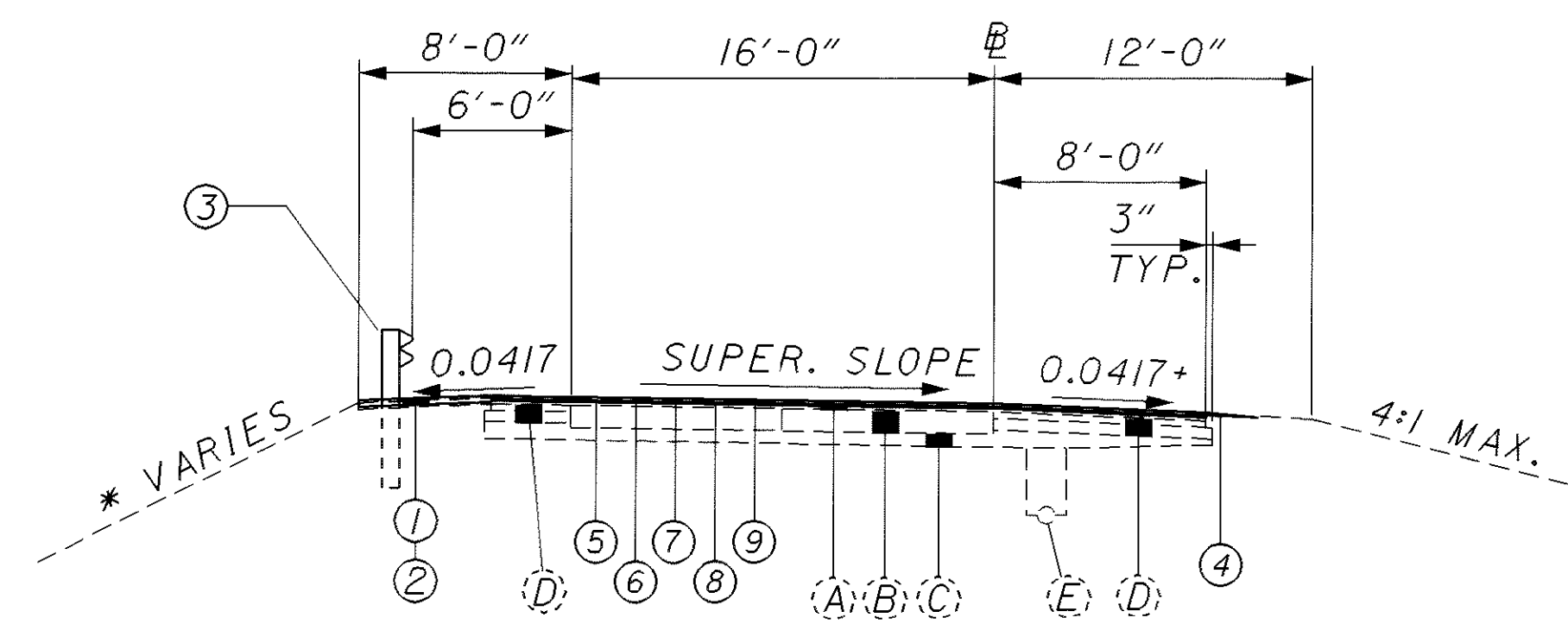


TYPICAL SECTION - RAMP K
STA. 5+00 TO STA. 8+40.35

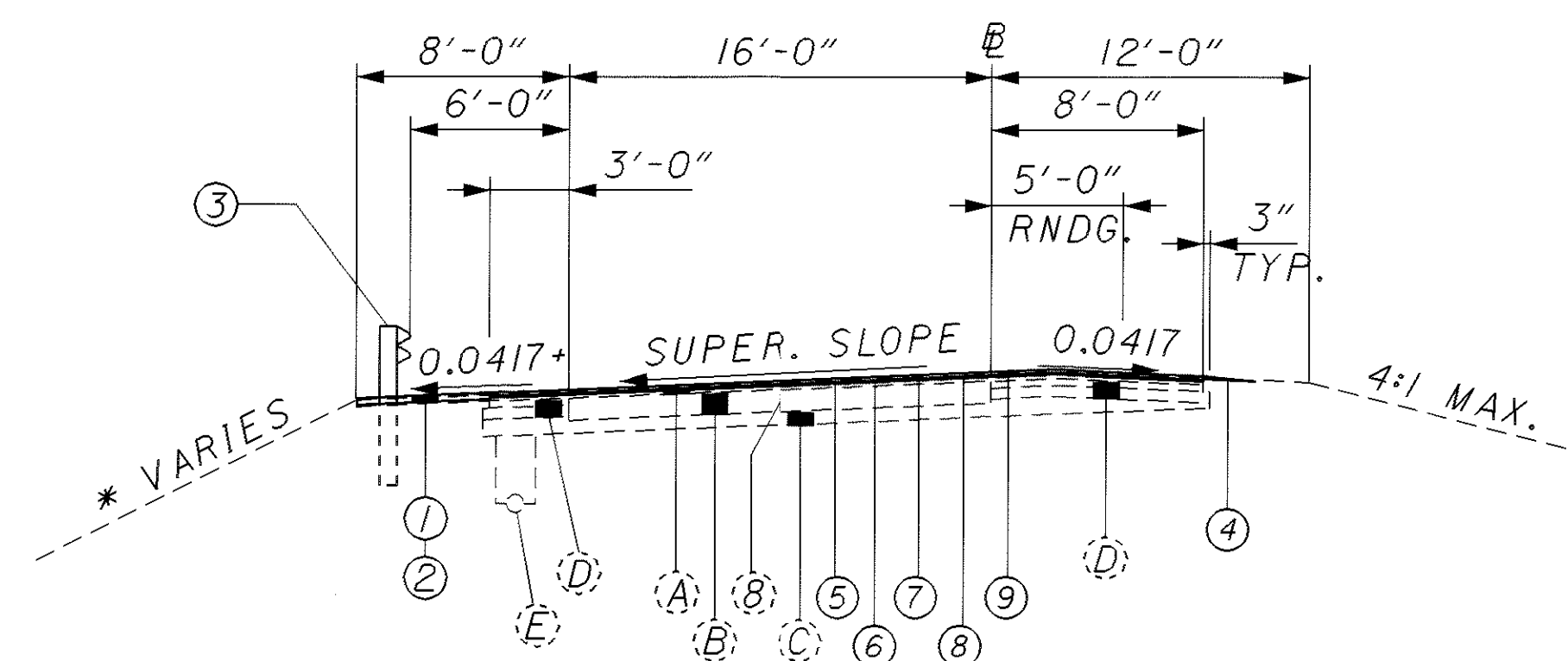
**TYPICAL SECTIONS
RAMPS I, J, K, M, N, O**



NORMAL RAMP SECTION



+ PAVEMENT SLOPE IF GREATER
SUPERELEVATED RAMP SECTION



+ PAVEMENT SLOPE IF GREATER
SUPERELEVATED RAMP SECTION

I:\PROJECTS\19530\19530.dgn 24-AUG-2001 10:04AM fkonopka