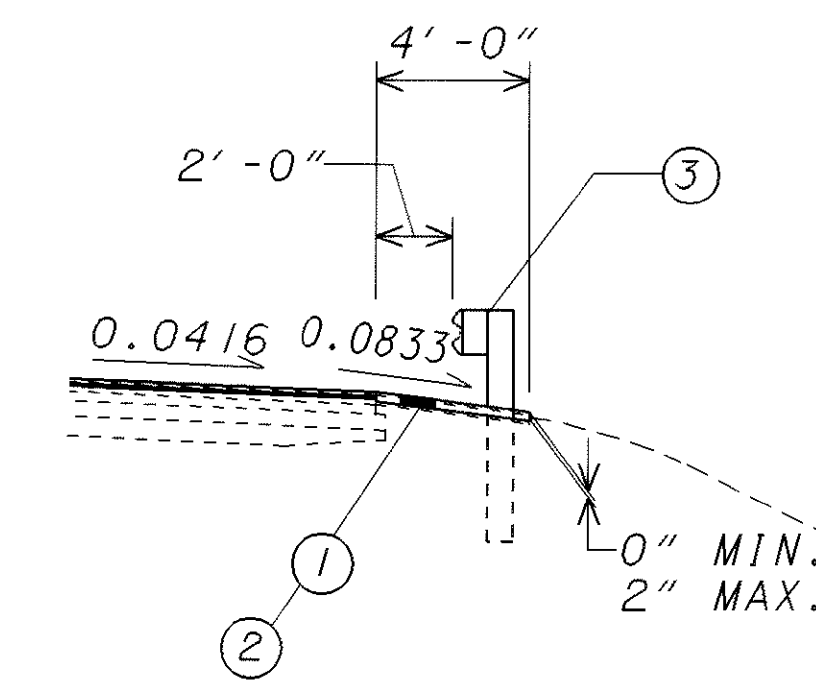


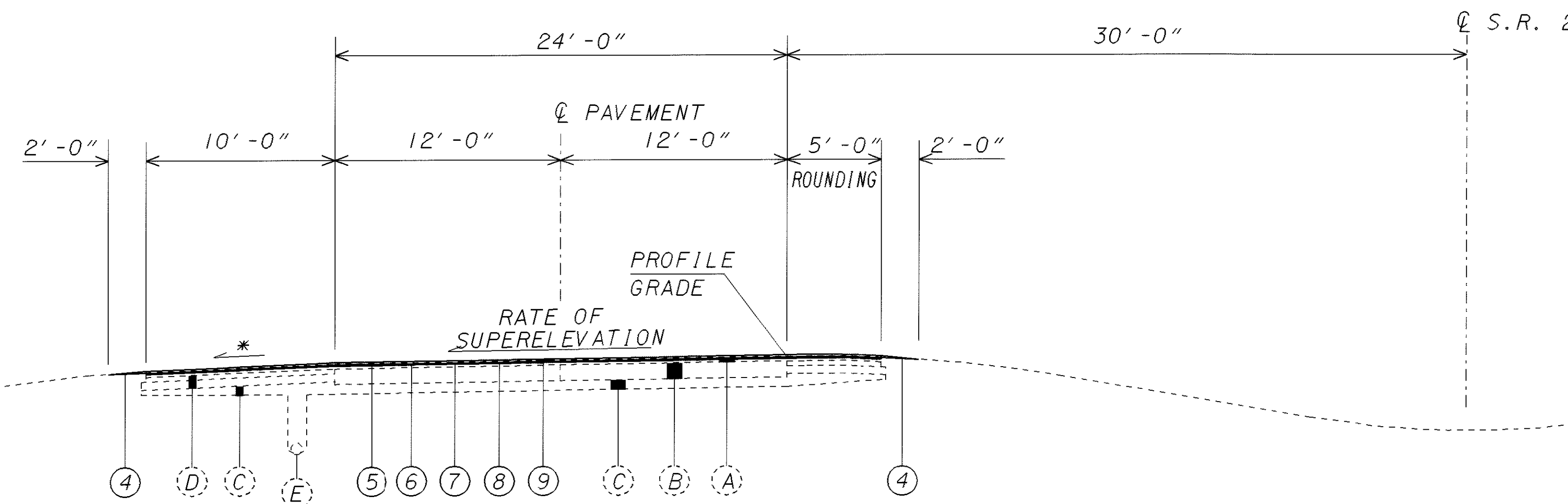
NORMAL

APPROACH SLABS

STA. 282+80.00 TO STA. 287+14.61 (WB) = 780.83 LIN. FT.	STA. 514+98.25 TO STA. 515+23.75 = 25.00 LIN. FT., T=13"
STA. 312+47.39 TO STA. 320+28.22 (EB) = 780.83 LIN. FT.	BRIDGE NO. LAK-2-1169
STA. 320+28.22 TO STA. 347+07.77 = 2,679.55 LIN. FT.	STA. 515+76.75 TO STA. 516+01.75 = 25.00 LIN. FT., T=13"
STA. 375+91.38 TO STA. 396+50.00 = 2,058.62 LIN. FT.	
STA. 396+50.00 TO STA. 396+70.00 (WB) = 20.00 LIN. FT.	
STA. 423+00.00 TO STA. 458+48.81 = 3,548.81 LIN. FT.	
STA. 476+60.14 TO STA. 514+98.25 = 3,838.11 LIN. FT.	
STA. 516+01.75 TO STA. 531+18.39 = 1,516.64 LIN. FT.	
STA. 560+63.94 TO STA. 586+22.12 = 2,558.18 LIN. FT.	



TYPICAL SHOULDER TREATMENT
GUARDRAIL AND NO CURB



SUPERELEVATED

STA. 347+07.77 TO STA. 375+91.38 = 2,883.61 LIN. FT.	CURVE RIGHT (e=0.040)
STA. 408+30.00 TO STA. 423+00.00 = 1,470.00 LIN. FT.	CURVE LEFT (e=0.064)
STA. 458+48.81 TO STA. 476+60.14 = 1,811.33 LIN. FT.	CURVE LEFT (e=0.032)
STA. 531+18.39 TO STA. 560+63.94 = 2,945.55 LIN. FT.	CURVE RIGHT (e=0.048)

* - 0.0416 OR RATE OF SUPERELEVATION,
WHICHEVER IS GREATER

SEE SHEET 5 FOR LEGEND