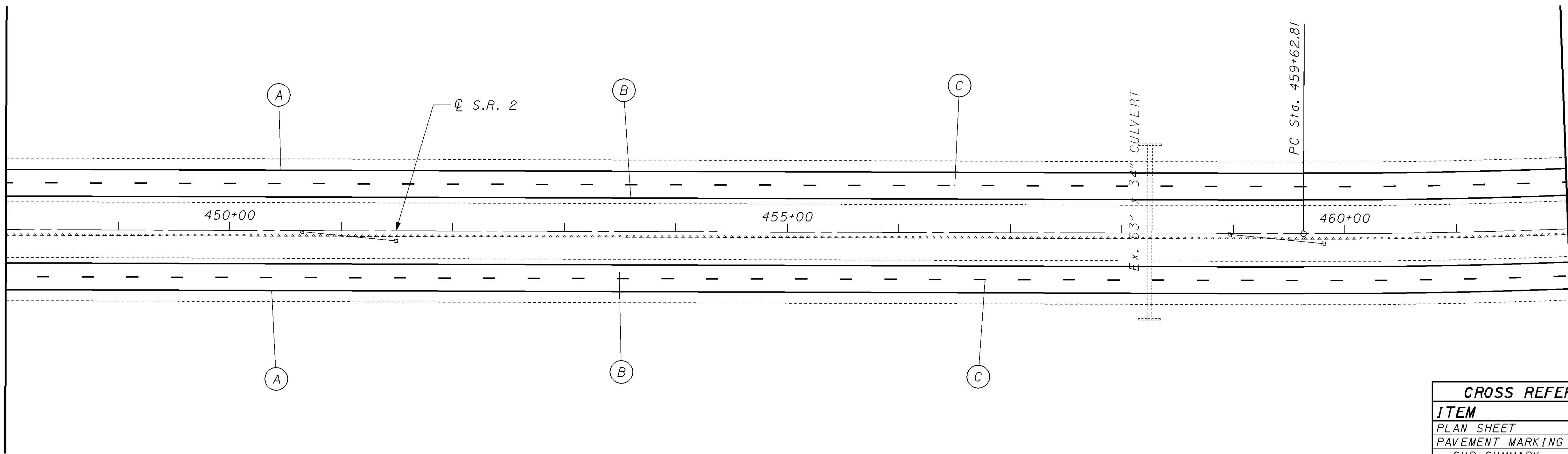
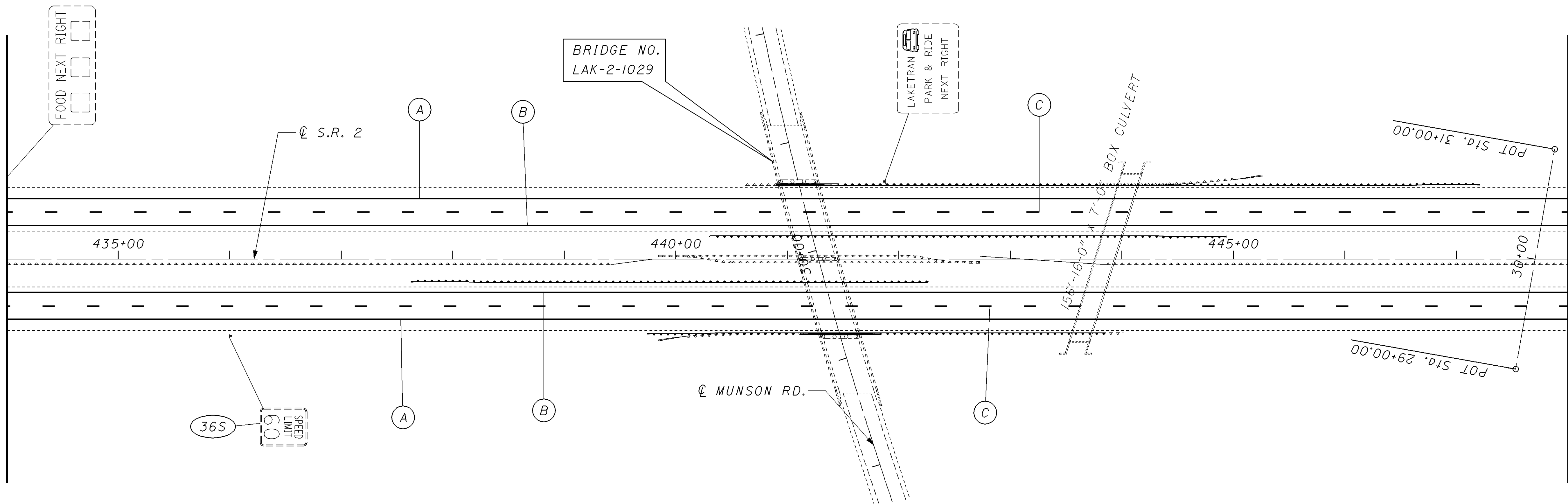


I:\PROJECTS\PI\19530\DGN\19530TPI.dgn 22-AUG-2001 10:53AM fkonopka

STA. 434+00 SEE SHEET 77

STA. 448+00 SEE ABOVE



STA. 448+00 SEE BELOW

STA. 462+00 SEE SHEET 79

0 50 100  
HORIZONTAL SCALE IN FEET

CALCULATED G.J.N.  
CHECKED LDH

**TRAFFIC CONTROL PLAN SHEET - S.R. 2**  
**STA. 434+00 TO STA. 462+00**

**LAK-2-6.12**

78  
85

CROSS REFERENCE	
ITEM	SHEET
PLAN SHEET	41
PAVEMENT MARKING	
SUB-SUMMARY	60,61
SIGN	
SUB-SUMMARY	65
LEGEND	67